

European Catalogue

Optyma™ Packaged condensing units

R452A, R134a, R448A, R449A, R407A, R407F, R404A/R507 - 50 Hz



Danfoss Optyma™ packaged condensing units.....	4
Optyma™ Slim Pack.....	6
Optyma™ Slim Pack - Performance data R452A LBP	7
Optyma™ Slim Pack - Performance data R404A/R507 LBP	9
Optyma™ Slim Pack - Performance data R134a MBP	11
Optyma™ Slim Pack - Performance data R448A MBP	13
Optyma™ Slim Pack - Performance data R449A MBP	15
Optyma™ Slim Pack - Performance data R452A MBP	17
Optyma™ Slim Pack - Performance data R407A MBP	19
Optyma™ Slim Pack - Performance data R407F MBP	21
Optyma™ Slim Pack - Performance data R404A/R507 MBP	23
Optyma™ Slim Pack - Technical data	26
Optyma™ Slim Pack - Spare parts & accessories - LBP	27
Optyma™ Slim Pack - Spare parts & accessories - MBP	29
Optyma™ Slim Pack - Spare parts & accessories list	32
Optyma™ Slim Pack - Dimensions	35
Optyma™ Plus - Housing spare parts	36
Optyma™ Slim Pack - Electrical wiring diagrams	37
Optyma™ Plus	44
Optyma™ Plus - Performance data R452A LBP	45
Optyma™ Plus - Performance data R404A/R507 LBP	46
Optyma™ Plus - Performance data R134a MBP	47
Optyma™ Plus - Performance data R448A MBP	49
Optyma™ Plus - Performance data R449A MBP	50
Optyma™ Plus - Performance data R452A MBP*	53
Optyma™ Plus - Performance data R407A MBP	55
Optyma™ Plus - Performance data R407F MBP	56
Optyma™ Plus - Performance data R404A/R507 MBP	57
Optyma™ Plus - Technical data	60
Optyma™ Plus - Spare parts & accessories - LBP	61
Optyma™ Plus - Spare parts & accessories - MBP	63
Optyma™ Plus - Spare parts & accessories list	66
Optyma™ Plus - Dimensions	69
Optyma™ Plus - Housing spare parts	71
Optyma™ Plus - Electrical wiring diagrams	72
Optyma™ Plus INVERTER	75
Optyma™ Plus INVERTER - Performance data R448A/R449A MBP	76
Optyma™ Plus INVERTER - Performance data R407A MBP	77
Optyma™ Plus INVERTER - Performance data R407F MBP	78
Optyma™ Plus INVERTER - Performance data R404A MBP	79
Optyma™ Plus INVERTER - Technical data	80
Optyma™ Plus INVERTER - Spare parts & accessories - MBP	80
Optyma™ Plus INVERTER - Spare parts & accessories list	81
Optyma™ Plus INVERTER - Housing spare parts	82
Optyma™ Plus INVERTER - Dimensions	82
Optyma™ Plus INVERTER - Electrical wiring diagrams	83

Danfoss Optyma™ packaged condensing units

Highly efficient and reliable plug and play condensing units designed with the contractor and end-user in mind, and providing unique benefits.



Benefits for the contractor

- Simple and fast selection and installation, reduced maintenance time
- Models compatible with multiple lower GWP refrigerants
- Reduced refrigerant costs thanks to microchannel condenser inside



Benefits for the end-user

- Higher food safety and longer products shelf life
- Units suitable for residential areas thanks to low sound level operation
- Reduced life cycle costs of refrigeration equipment thanks to highly efficient units

Optyma™ Slim Pack W05



Compact and cost effective. When space, quiet operation, efficiency and simple installation matter.

With microchannel condenser



Optyma™ Slim Pack W09



Compact and cost effective. When space, quieter operation, efficiency, faster and safer installation and maintenance matter.

W05 base + fan speed controller and main switch included



Optyma™ Plus



Top performer. When quietness, high efficiency, connectivity and fastest installation and maintenance matter.

With electronic controller



Optyma™ Plus INVERTER



Premium unit. When top efficiency, fastest installation and maintenance, tight temperature and humidity control matter.

With variable speed drive



MBP and LBP applications



- ✓ Cold rooms, display cabinets in convenience stores, mini-markets, restaurants, fisheries, butcheries, bakeries, florists, laboratories
- ✓ Wine cellars
- ✓ Milk cooling
- ✓ Industrial processes
- ✓ Dairy and general food storage

Designation

OP - MSXM034 ML W05 G

1 2 3 4 5 6 7 8

OP = Optyma

1	Application: M = MBP ; L = LBP
2	Condensing unit family: S = Slim Pack / P = OP Plus and OP Plus INVERTER
3	Refrigerant: H = R404A/R507 ; G = R134a ; Q = R452A, R404A/R507 X = R404A/R507, R134a, R407A, R407F, R448A, R449A Y = R404A/R507, R449A; P = R448A/R449A, R407A/F, R404A/R507
4	M = Microchannel heat condenser
5	Displacement in cm ³ Example 034 = 34 cm ³
6	Compressor platform (such as VVL = variable speed scroll VLZ)
7	Version: W05/W09 : Optyma™ Slim Pack P00 : Optyma™ Plus P01 : Optyma™ Plus INVERTER
8	Electrical code: G = 230V/1-phase compressor & fan E = 400V/3-phase compressor & 230V/1-phase fan

Feature overview:

	Optyma™ Slim Pack		Optyma™ Plus	Optyma™ Plus INVERTER
	W05	W09		
IP level	IP54		IP54	IP54
Compressor technology	Scroll/Reciprocating		Scroll/Reciprocating	Variable speed scroll
Control box (pre-wired E-panel)	yes		yes	yes
Microchannel condenser	yes		yes	yes
Fan speed controller	-	yes	yes	yes
Main switch (circuit breaker)	-	yes	yes	yes
Filter drier (flare connections)	yes		yes	yes
Sight glass	yes		yes	yes
Crankcase heater	yes		yes	yes
HP/LP adjustable pressostat	Mechanical		Electronic	Electronic
Fail safe mini-pressostat	-		Mechanical	Mechanical
Access door(s)	-		yes	yes
Acoustic insulation	-		yes	yes
Condensing unit electronic controller	-		yes	yes
Network connectivity	-		yes	yes
Stack mounting	-		yes	-
Oil separator	-		-	yes
Net weight in kg	B1 housing: from 50.4 to 53 B2 housing: from 61.5 to 77 B3 housing: from 76 to 79		H1 housing: from 49 to 53 H2 housing: from 80 to 94 H3 housing: from 101 to 107 H4 housing: 169	124 & 125
Dimensions in mm (height x width x depth)	B1 housing: 530 x 910 x 364 B2 housing: 690 x 1087 x 464 B3 housing: 825 x 1105 x 464		H1 housing: 652 x 906 x 356 H2 housing: 813 x 1055 x 430 H3 housing: 967 x 1406 x 481 H4 housing: 966 x 1800 x 600	965 x 1406 x 481

Overview by range and refrigerant:

Min / Max Cooling capacity range [kW]	Optyma™ Slim Pack	Optyma™ Plus	Optyma™ Plus INVERTER
Medium temperature (MBP)			
R449A	0.8 - 10.2	0.7 - 14.9	1.7 - 8.3
R448A	3.3 - 10.2	3.3 - 14.9	1.7 - 8.3
R134a	0.6 - 6.6	1.7 - 10.2	-
R407A	3.3 - 9.9	3.3 - 14.6	1.7 - 8.4
R407F	3.5 - 10.2	3.5 - 15.5	1.8 - 9
R452A (preliminary data)	1.5 - 10.8	1.5 - 16.2	
R404A/507	0.9 - 10.3	0.7 - 16	1.8 - 9
Low temperature (LBP)			
R452A	0.4 - 3.3	0.4 - 6.1	-
R404A/507	0.4 - 3.6	0.5 - 6.2	-

Rating conditions EN 13215 (dew point):

MBP: Ambient temp = 32°C, Evap temp = -10°C, Superheat = 10K, Subcooling = 0K / **LBP:** Ambient temp = 32°C, Evap temp = -35°C, Superheat = 10K, Subcooling = 0K

Optyma™ Slim Pack

Light on refrigerant, heavy on efficiency

2.9 kg
Less refrigerant on bigger sizes for more savings

Get it all with Optyma™ **Slim Pack**. It combines quiet operation and more value for money with an energy-efficient and compact solution.



Quick and safe installation and service

Enjoy fast and easy installation with the main switch, service valves, and quick connections. Additionally, the easy-to-clean MCHE saves you time and effort on servicing.



High SEPR*

All models in the range are highly efficient and well above EcoDesign 2018 thresholds, contributing to a reduction in energy costs.
*SEPR: Seasonal Energy Performance Ratio.



Suitable for residential areas

It operates up to 7 dB(A) lower than other packaged units of the same capacity and the fan-speed controller further reduces the sound level by up to 4 dB(A).



Optimized footprint for floor and wall mounting

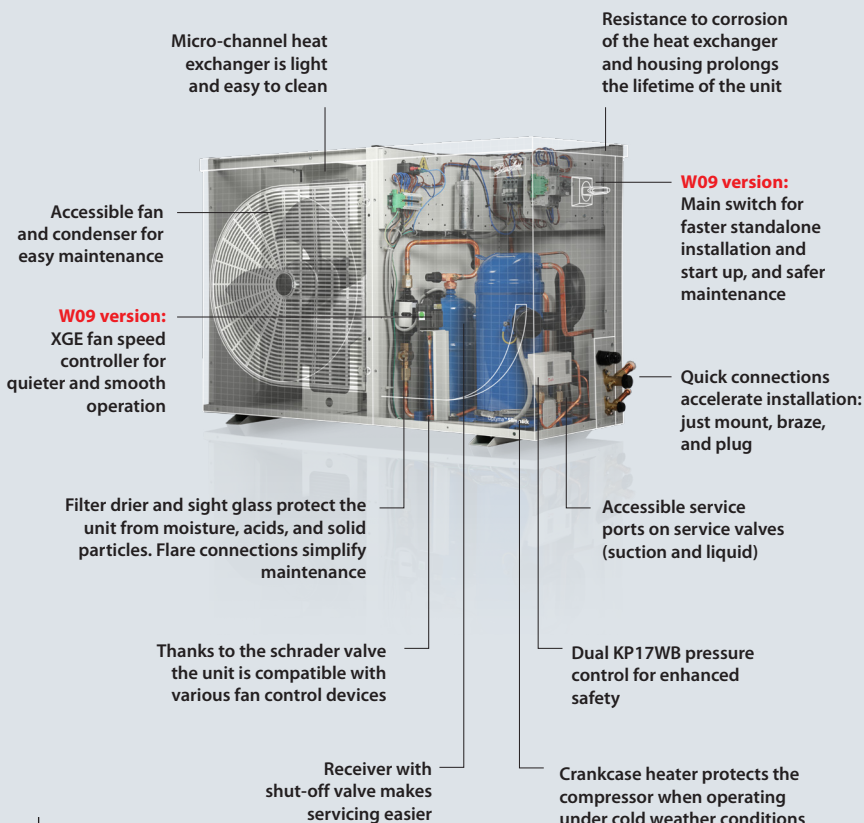
Thanks to its slim design and low weight, it is easy to transport and handle during installation – particularly for wall mounting.

W09 FEATURES

- Preset fan-speed controller for quieter operation
- Main switch for faster stand-alone installation and start-up, and safer maintenance



Standard range (W05) and upgraded range (W09)



High SEPR/COP cuts energy costs

E.g. in a cold room where fruit & vegetables are stored and with 2.7 kW of cooling capacity.

Optyma™ Slim Pack MBP unit vs equivalent unit in the market*

Cooling cap.: 2.7 kW
Refrigerant: R134a



UNIT	Danfoss	Market
COP	2.18	1.70
USAGE	~ 8 245 kWh	~ 10 636 kWh

Annual energy consumption saved: 2 391 kWh

Savings based on cost of energy:

FRANCE: 0.11€ / 1 KWH = 2 391 x 0.11 = 263€
UK: 0.15€ / 1 KWH = 2 391 x 0.15 = 359€
GERMANY: 0.20€ / 1 KWH = 2 391 x 0.20 = 478€

478€ annual electricity savings made by your customer in Germany

* Source: Danfoss

Model	Code	Version	Compressor	Electrical code (1)	Tamb [°C]	Cooling capacity Q [kW] (2)						EcoDesign (3)				Sound power level dB(A)	Sound pressure level 10 m dB(A)	
						Te [°C]						Q [kW]	P [kW]	COP	SEPR			
						-40°C	-35°C	-30°C	-25°C	-20°C	-15°C							-10°C
OP-LSQM014MP	114X7106 114X7129	W05 W09	MPT14LA	G	27	0.421	0.535	0.656	0.784	0.919	1.060							
					32	0.379	0.481	0.592	0.710	0.835	0.966	0.422	0.441	0.96		63	32	
					38	0.328	0.418	0.515	0.621	0.734	0.854							
					43	0.285	0.365	0.452	0.548	0.651	0.761							
OP-LSQM018MP	114X7107 114X7130	W05 W09	MPT16LA	G	27	0.443	0.583	0.735	0.897	1.070	1.253							
					32	0.396	0.522	0.661	0.810	0.971	1.142	0.441	0.465	0.95		63	32	
					38	0.340	0.450	0.572	0.707	0.853	1.009							
					43	0.293	0.390	0.499	0.621	0.754	0.899							
OP-LSQM026AJ	114X7085 114X7179	W05 W09	CAJ2446Z	G	27	0.472	0.659	0.881	1.144	1.447	1.794	2.184						
					32	0.408	0.581	0.788	1.031	1.312	1.634	1.997	0.644	0.671	0.96		67	36
					38	0.489	0.675	0.894	1.148	1.439	1.769							
					43	0.414	0.582	0.780	1.010	1.275	1.577							
OP-LSQM034AJ	114X7086 114X7180	W05 W09	CAJ2464Z	G	27	0.628	0.859	1.139	1.473	1.864	2.316	2.830						
					32	0.549	0.763	1.022	1.332	1.695	2.115	2.594	0.846	0.892	0.95		68	37
					38	0.649	0.882	1.161	1.489	1.870	2.307							
					43	0.556	0.767	1.019	1.318	1.666	2.067							
OP-LSQM048NT	114X7087 114X7181	W05 W09	NTZ048-5	G	27	0.771	1.090	1.478	1.931	2.446	3.018	3.641						
					32	0.655	0.948	1.303	1.718	2.191	2.717	3.291	1.053	0.950	1.11		71	40
					38	0.529	0.790	1.105	1.475	1.896	2.366	2.880						
					43	0.433	0.667	0.950	1.281	1.660	2.082	2.545						
OP-LSQM048NT	114X7088 114X7182	W05 W09	NTZ048-4	E	27	0.778	1.076	1.438	1.860	2.340	2.873	3.454						
					32	0.679	0.947	1.273	1.655	2.092	2.579	3.112	1.054	0.981	1.07		71	40
					38	0.572	0.805	1.089	1.424	1.809	2.241	2.716						
					43	0.491	0.695	0.945	1.242	1.584	1.969	2.396						
OP-LSQM074FH	114X7095 114X7185	W05 W09	FH2511Z	G	27	1.062	1.511	2.037	2.641	3.324	4.085	4.919						
					32	0.889	1.310	1.801	2.365	3.003	3.713	4.492	1.458	1.539	0.95		75	44
					38	1.070	1.518	2.033	2.614	3.262	3.975							
					43	0.874	1.286	1.757	2.290	2.886	3.542							

LBP

(1) G - Compressor 230V/1~/50Hz, fan 230V/1~/50Hz
 E - Compressor 400V/3~/50Hz, fan 230V/1~/50Hz

(2) Nominal conditions (EN13215), Evaporating temperatures at dew point, Superheat 10K, Subcooling 0K

(3) Rated conditions (EN13215), Evaporating temperature (dew point) -35°C, Ambient air temperature +32°C, Return Gas Temperature 20°C, Subcooling 0K

SEPR, Seasonal Energy Performance Ratio

Q [kW], Cooling Capacity

P [kW], Power Input

This table continues on the next page



For regular updates and detailed capacities, please refer to Coolselector®2 software



Model	Code	Version	Compressor	Electrical code (1)	Tamb [°C]	Cooling capacity Q [kW] (2)							EcoDesign (3)				Sound power level dB(A)	Sound pressure level 10 m dB(A)
						Te [°C]							Q [kW]	P [kW]	COP	SEPR		
						-40°C	-35°C	-30°C	-25°C	-20°C	-15°C	-10°C						
OP-LSQM074FH	114X7096 114X7186	W05 W09	TFH2511Z	E	27	1.001	1.415	1.897	2.442	3.044	3.695	4.384	1.362	1.390	0.98		75	44
					32	0.841	1.221	1.664	2.166	2.722	3.324	3.964						
					38		1.003	1.398	1.848	2.347	2.890	3.467						
					43		0.835	1.190	1.595	2.045	2.536	3.059						
OP-LSQM068NT	114X7090 114X7184	W05 W09	NTZ068-4	E	27	1.215	1.655	2.158	2.712	3.299	3.898	4.484	1.632	1.404	1.16		71	40
					32	1.056	1.459	1.918	2.421	2.952	3.491	4.014						
					38	0.864	1.223	1.629	2.070	2.534	3.000	3.446						
					43	0.708	1.028	1.388	1.778	2.184	2.588	2.969						
OP-LSQM068NT	114X7089 114X7183	W05 W09	NTZ068-5	G	27	1.241	1.667	2.151	2.688	3.273	3.897	4.550	1.619	1.627	1.00		71	40
					32	1.052	1.447	1.895	2.392	2.932	3.508	4.110						
					38	0.833	1.192	1.597	2.045	2.530	3.047	3.586						
					43	0.659	0.987	1.355	1.762	2.201	2.668	3.153						
OP-LSQM067LL	114X7091 114X7187	W05 W09	LLZ013T4	E	27	1.925	2.483	3.161	3.970	4.918	6.013	7.257	2.570	2.177	1.18	1.67	71	40
					32	1.794	2.306	2.929	3.675	4.553	5.571	6.733						
					38	1.642	2.096	2.651	3.318	4.108	5.030	6.089						
					43	1.519	1.922	2.418	3.017	3.731	4.570	5.541						
OP-LSQM084LL	114X7092 114X7188	W05 W09	LLZ015T4	E	27	2.408	3.051	3.812	4.703	5.732	6.905	8.225	3.152	2.706	1.16	1.6	73	42
					32	2.223	2.820	3.526	4.351	5.306	6.398	7.630						
					38	1.997	2.533	3.167	3.909	4.771	5.761	6.884						
					43	1.803	2.286	2.856	3.526	4.306	5.206	6.234						
OP-LSQM098LL	114X7075 114X7189	W05 W09	LLZ018T4	E	27	2.812	3.560	4.438	5.457	6.622	7.938	9.406	3.683	3.166	1.16	1.61	74	43
					32	2.592	3.286	4.098	5.039	6.118	7.339	8.704						
					38	2.318	2.943	3.671	4.516	5.486	6.588	7.824						
					43	2.084	2.647	3.302	4.062	4.937	5.935	7.061						

LBP

(1) G - Compressor 230V/1~/50Hz, fan 230V/1~/50Hz

E - Compressor 400V/3~/50Hz, fan 230V/1~/50Hz

(2) Nominal conditions (EN13215), Evaporating temperatures at dew point, Superheat 10K, Subcooling 0K

(3) Rated conditions (EN13215), Evaporating temperature (dew point) -35°C, Ambient air temperature +32°C, Return Gas Temperature 20°C, Subcooling 0K

SEPR, Seasonal Energy Performance Ratio

Q [kW], Cooling Capacity

P [kW], Power Input



For regular updates and detailed capacities, please refer to **Coolselector®2** software



Model	Code	Version	Compressor	Electrical code (1)	Tamb [°C]	Cooling capacity Q [kW] (2)							EcoDesign (3)				Sound power level dB(A)	Sound pressure level 10 m dB(A)			
						Te [°C]							Q [kW]	P [kW]	COP	SEPR					
						-40°C	-35°C	-30°C	-25°C	-20°C	-15°C	-10°C									
OP-LSQM014MP	114X7106 114X7129	W05 W09	MPT14LA	G	27		0.494	0.640	0.802	0.979	1.171	1.379									
					32		0.444	0.577	0.725	0.889	1.068	1.264	0.500	0.486	1.03			60	29		
					38		0.384	0.501	0.633	0.781	0.945	1.126									
					43		0.335	0.439	0.557	0.692	0.843	1.011									
OP-LSQM018MP	114X7107 114X7130	W05 W09	MPT16LA	G	27		0.535	0.710	0.903	1.115	1.345	1.594									
					32		0.480	0.638	0.816	1.013	1.228	1.463	0.540	0.504	1.07			60	29		
					38		0.413	0.553	0.712	0.890	1.088	1.305									
					43		0.359	0.483	0.626	0.789	0.971	1.173									
OP-LSQM026AJ	114X7085 114X7179	W05 W09	CAJ2446Z	G	27	0.526	0.732	0.978	1.268	1.606	1.993	2.432									
					32	0.455	0.645	0.872	1.140	1.451	1.809	2.216	0.724	0.715	1.01			67	36		
					38	0.371	0.541	0.745	0.985	1.265	1.588	1.957									
					43		0.457	0.641	0.857	1.111	1.404	1.739									
OP-LSQM034AJ	114X7086 114X7180	W05 W09	CAJ2464Z	G	27	0.685	0.933	1.232	1.586	2.000	2.476	3.015									
					32	0.599	0.826	1.101	1.428	1.809	2.249	2.749	0.930	0.953	0.98			68	37		
					38	0.497	0.701	0.946	1.238	1.580	1.976	2.429									
					43		0.598	0.819	1.082	1.391	1.750	2.163									
OP-LSQM048NT	114X7087 114X7181	W05 W09	NTZ048-5	G	27	0.776	1.134	1.568	2.083	2.677	3.349	4.098									
					32	0.651	0.981	1.381	1.853	2.398	3.017	3.706	1.104	1.097	1.01			71	40		
					38	0.501	0.798	1.155	1.576	2.062	2.615	3.232									
					43	0.381	0.647	0.968	1.345	1.782	2.279	2.836									
OP-LSQM048NT	114X7088 114X7182	W05 W09	NTZ048-4	E	27	0.783	1.143	1.572	2.072	2.645	3.290	4.007									
					32	0.670	1.000	1.392	1.849	2.371	2.960	3.615	1.126	0.997	1.13			71	40		
					38	0.536	0.831	1.179	1.583	2.044	2.565	3.147									
					43	0.427	0.692	1.003	1.363	1.775	2.240	2.760									

LBP

(1) G - Compressor 230V/1~/50Hz, fan 230V/1~/50Hz
 E - Compressor 400V/3~/50Hz, fan 230V/1~/50Hz

(2) Nominal conditions (EN13215), Evaporating temperatures at dew point, Superheat 10K, Subcooling 0K

(3) Rated conditions (EN13215), Evaporating temperature (dew point) -35°C, Ambient air temperature +32°C, Return Gas Temperature 20°C, Subcooling 0K

SEPR, Seasonal Energy Performance Ratio

Q [kW], Cooling Capacity

P [kW], Power Input

This table continues on the next page



For regular updates and detailed capacities, please refer to **Coolselector®2** software



Model	Code	Version	Compressor	Electrical code (1)	Tamb [°C]	Cooling capacity Q [kW] (2)						EcoDesign (3)				Sound power level dB(A)	Sound pressure level 10 m dB(A)	
						Te [°C]						Q [kW]	P [kW]	COP	SEPR			
						-40°C	-35°C	-30°C	-25°C	-20°C	-15°C							-10°C
OP-LSQM074FH	114X7096 114X7186	W05 W09	TFH2511Z	E	27	1.177	1.670	2.254	2.931	3.695	4.543	5.468	1.620	1.514	1.07		75	44
					32	0.985	1.434	1.969	2.588	3.291	4.074	4.931						
					38	0.776	1.173	1.646	2.197	2.825	3.528	4.301						
					43	0.620	0.972	1.394	1.887	2.452	3.087	3.789						
OP-LSQM074FH	114X7095 114X7185	W05 W09	FH2511Z	G	27	1.176	1.664	2.235	2.890	3.630	4.455	5.361	1.627	1.662	0.98		75	44
					32	0.983	1.439	1.971	2.580	3.268	4.034	4.877						
					38	0.756	1.172	1.655	2.207	2.831	3.526	4.292						
					43	0.573	0.955	1.395	1.899	2.468	3.102	3.803						
OP-LSQM068NT	114X7089 114X7183	W05 W09	NTZ068-5	G	27	1.332	1.793	2.348	2.994	3.730	4.548	5.440	1.826	1.730	1.06		71	40
					32	1.189	1.608	2.110	2.694	3.358	4.098	4.905						
					38	1.017	1.388	1.828	2.338	2.918	3.564	4.270						
					43	0.873	1.205	1.594	2.044	2.554	3.123	3.745						
OP-LSQM068NT	114X7090 114X7184	W05 W09	NTZ068-4	E	27	1.359	1.860	2.443	3.107	3.852	4.672	5.563	1.845	1.613	1.14		71	40
					32	1.172	1.629	2.162	2.770	3.451	4.204	5.024						
					38	0.967	1.374	1.846	2.386	2.991	3.662	4.394						
					43	0.812	1.177	1.599	2.081	2.623	3.225	3.883						
OP-LSQM067LL	114X7091 114X7187	W05 W09	LLZ013T4	E	27	2.210	2.823	3.547	4.391	5.365	6.476	7.732	2.942	2.481	1.19	1.65	71	40
					32	2.024	2.600	3.276	4.061	4.965	5.997	7.163						
					38	1.790	2.319	2.934	3.645	4.462	5.395	6.451						
					43	1.586	2.073	2.634	3.280	4.022	4.870	5.832						
OP-LSQM084LL	114X7092 114X7188	W05 W09	LLZ015T4	E	27	2.654	3.375	4.240	5.261	6.444	7.795	9.317	3.528	2.909	1.21	1.67	73	42
					32	2.440	3.110	3.909	4.848	5.936	7.178	8.580						
					38	2.171	2.777	3.494	4.332	5.303	6.412	7.667						
					43	1.935	2.485	3.130	3.883	4.754	5.751	6.882						
OP-LSQM098LL	114X7075 114X7189	W05 W09	LLZ018T4	E	27	3.089	3.920	4.914	6.079	7.421	8.944	10.647	4.103	3.299	1.24	1.72	74	43
					32	2.837	3.608	4.524	5.594	6.825	8.221	9.785						
					38	2.519	3.216	4.035	4.987	6.082	7.324	8.719						
					43	2.241	2.871	3.607	4.459	5.438	6.550	7.802						

LBP

(1) G - Compressor 230V/1~/50Hz, fan 230V/1~/50Hz

E - Compressor 400V/3~/50Hz, fan 230V/1~/50Hz

(2) Nominal conditions (EN13215), Evaporating temperatures at dew point, Superheat 10K, Subcooling 0K

(3) Rated conditions (EN13215), Evaporating temperature (dew point) -35°C, Ambient air temperature +32°C, Return Gas Temperature 20°C, Subcooling 0K

SEPR, Seasonal Energy Performance Ratio

Q [kW], Cooling Capacity

P [kW], Power Input



For regular updates and detailed capacities, please refer to **Coolselector®2** software



Model	Code	Version	Compressor	Electrical code (1)	Tamb [°C]	Cooling capacity Q [kW] (2)							EcoDesign (3)				Sound power level dB(A)	Sound pressure level 10 m dB(A)	
						Te [°C]							Q [kW]	P [kW]	COP	SEPR			
						-15°C	-10°C	-5°C	0°C	5°C	10°C	15°C							
OP-MSGM012SC	114X7099 114X7207	W05 W09	SC12G	G	27	0.549	0.693	0.861	1.055	1.277	1.528	1.810							
					32	0.503	0.640	0.800	0.987	1.200	1.442	1.714	0.655	0.382	1.71		62	31	
					38	0.446	0.575	0.726	0.902	1.105	1.336	1.596							
					43	0.400	0.521	0.664	0.832	1.025	1.246	1.497							
OP-MSGM015SC	114X7100 114X7208	W05 W09	SC15G	G	27	0.591	0.756	0.951	1.177	1.435	1.725	2.047							
					32	0.562	0.719	0.903	1.115	1.357	1.628	1.930	0.737	0.448	1.64		63	32	
					38	0.517	0.666	0.838	1.034	1.256	1.506	1.782							
					43	0.474	0.616	0.778	0.961	1.168	1.399	1.656							
OP-MSGM018SC	114X7101 114X7131	W05 W09	SC18G	G	27	0.757	0.937	1.144	1.381	1.651	1.954	2.293							
					32	0.680	0.855	1.057	1.289	1.552	1.849	2.180	0.876	0.544	1.61		63	32	
					38	0.606	0.774	0.968	1.191	1.444	1.729	2.049							
					43	0.556	0.716	0.902	1.114	1.357	1.631	1.938							
OP-MSGM021SC	114X7102 114X7132	W05 W09	SC21G	G	27	0.885	1.107	1.358	1.638	1.949	2.290	2.662							
					32	0.813	1.025	1.267	1.538	1.839	2.170	2.531	1.051	0.605	1.74		63	32	
					38	0.733	0.932	1.159	1.416	1.702	2.018	2.364							
					43	0.666	0.852	1.066	1.308	1.580	1.881	2.213							
OP-MSGM026AJ	114X7103 114X7209	W05 W09	CAJ4492Y	G	27	1.075	1.396	1.773	2.209	2.708	3.270	3.896							
					32	0.982	1.284	1.638	2.048	2.516	3.045	3.636	1.314	0.729	1.80		62	31	
					38	0.867	1.149	1.477	1.856	2.289	2.779	3.328							
					43	0.769	1.035	1.342	1.696	2.101	2.559	3.074							
OP-MSGM033AJ	114X7104 114X7210	W05 W09	CAJ4511Y	G	27	1.444	1.835	2.280	2.786	3.353	3.984	4.678							
					32	1.326	1.699	2.122	2.601	3.138	3.736	4.394	1.740	0.849	2.05		67	36	
					38	1.180	1.531	1.927	2.373	2.873	3.430	4.045							
					43	1.058	1.389	1.761	2.180	2.649	3.171	3.749							
OP-MSXM034ML	114X7062 114X7196	W05 W09	MLZ015T4	E	27	1.817	2.286	2.834	3.467	4.188	5.001	5.907							
					32	1.716	2.162	2.685	3.290	3.980	4.761	5.632	2.216	0.983	2.25		69	38	
					38	1.597	2.012	2.502	3.071	3.723	4.462	5.290							
					43	1.499	1.886	2.346	2.883	3.502	4.205	4.995							
OP-MSXM034ML	114X7061 114X7195	W05 W09	MLZ015T5	G	27	1.822	2.321	2.883	3.513	4.218	5.003	5.876							
					32	1.711	2.189	2.730	3.339	4.023	4.788	5.639	2.244	1.033	2.17		69	38	
					38	1.580	2.026	2.536	3.115	3.770	4.504	5.324							
					43	1.476	1.890	2.369	2.919	3.544	4.250	5.041							
OP-MSXM044ML	114X7162 114X7212	W05 W09	MLZ019T4	E	27	2.323	2.897	3.577	4.365	5.259	6.259	7.360							
					32	2.193	2.739	3.386	4.137	4.990	5.944	6.997	2.811	1.258	2.23		69	38	
					38	2.032	2.543	3.149	3.853	4.655	5.554	6.548							
					43	1.896	2.375	2.945	3.610	4.368	5.220	6.164							
OP-MSXM044ML	114X7161 114X7211	W05 W09	MLZ019T5	G	27	2.312	2.920	3.612	4.394	5.268	6.238	7.307							
					32	2.173	2.748	3.411	4.163	5.007	5.947	6.985	2.821	1.401	2.01		69	38	
					38	2.009	2.539	3.157	3.867	4.670	5.568	6.564							
					43	1.881	2.364	2.940	3.609	4.373	5.232	6.189							
OP-MSXM046ML	114X7064 114X7198	W05 W09	MLZ021T4	E	27	2.478	3.090	3.817	4.660	5.618	6.691	7.875							
					32	2.339	2.922	3.614	4.418	5.333	6.358	7.490	2.998	1.289	2.33		69	38	
					38	2.167	2.713	3.363	4.118	4.979	5.945	7.014							
					43	2.021	2.535	3.147	3.860	4.674	5.591	6.606							

MBP

(1) G - Compressor 230V/1~/50Hz, fan 230V/1~/50Hz

E - Compressor 400V/3~/50Hz, fan 230V/1~/50Hz

(2) Nominal conditions (EN13215), Evaporating temperatures at dew point, Superheat 10K, Subcooling 0K

(3) Rated conditions (EN13215), Evaporating temperature (dew point) -10°C, Ambient air temperature +32°C, Return Gas Temperature 20°C, Subcooling 0K

SEPR, Seasonal Energy Performance Ratio

Q [kW], Cooling Capacity

P [kW], Power Input

This table continues on the next page



For regular updates and detailed capacities, please refer to **Coolselector®2** software



Model	Code	Version	Compressor	Electrical code (1)	Tamb [°C]	Cooling capacity Q [kW] (2)							EcoDesign (3)				Sound power level dB(A)	Sound pressure level 10 m dB(A)			
						Te [°C]							Q [kW]	P [kW]	COP	SEPR					
						-15°C	-10°C	-5°C	0°C	5°C	10°C	15°C									
OP-MSXM046ML	114X7063 114X7197	W05 W09	MLZ021T5	G	27	2.465	3.114	3.854	4.690	5.626	6.665	7.811									
					32	2.317	2.933	3.641	4.446	5.350	6.358	7.473	3.010	1.451	2.07			69	38		
					38	2.143	2.710	3.372	4.133	4.994	5.959	7.030									
					43	2.006	2.524	3.142	3.859	4.679	5.603	6.633									
OP-MSXM057ML	114X7066 114X7200	W05 W09	MLZ026T4	E	27	2.988	3.749	4.629	5.632	6.762	8.020	9.405									
					32	2.811	3.536	4.375	5.331	6.409	7.610	8.932	3.633	1.591	2.28			69	38		
					38	2.596	3.276	4.062	4.959	5.972	7.101	8.346									
					43	2.416	3.055	3.795	4.641	5.596	6.664	7.843									
OP-MSXM057ML	114X7065 114X7199	W05 W09	MLZ026T5	G	27	2.981	3.762	4.649	5.647	6.760	7.991	9.345									
					32	2.805	3.540	4.384	5.339	6.409	7.597	8.905	3.639	1.914	1.90			69	38		
					38	2.601	3.271	4.052	4.947	5.958	7.088	8.337									
					43	2.443	3.048	3.770	4.608	5.564	6.638	7.833									
OP-MSXM068ML	114X7068 114X7202	W05 W09	MLZ030T4	E	27	3.686	4.631	5.738	7.016	8.470	10.104	11.920									
					32	3.484	4.382	5.437	6.657	8.048	9.614	11.357	4.493	1.897	2.37			70	39		
					38	3.240	4.078	5.066	6.213	7.524	9.005	10.657									
					43	3.037	3.820	4.748	5.831	7.073	8.480	10.053									
OP-MSXM068ML	114X7067 114X7201	W05 W09	MLZ030T5	G	27	3.786	4.657	5.752	7.035	8.471	10.032	11.692									
					32	3.642	4.426	5.449	6.672	8.059	9.581	11.211	4.540	2.184	2.08			70	39		
					38	3.479	4.146	5.072	6.214	7.534	9.001	10.586									
					43	3.356	3.915	4.751	5.817	7.073	8.487	10.029									
OP-MSXM080ML	114X7070 114X7204	W05 W09	MLZ038T4	E	27	4.283	5.388	6.667	8.129	9.782	11.630	13.673									
					32	4.029	5.086	6.307	7.704	9.282	11.048	13.001	5.220	2.308	2.26	3.43	70	39			
					38	3.718	4.713	5.863	7.176	8.663	10.326	12.170									
					43	3.454	4.396	5.482	6.724	8.130	9.707	11.457									
OP-MSXM080ML	114X7069 114X7203	W05 W09	MLZ038T5	G	27	4.250	5.469	6.787	8.230	9.821	11.578	13.518									
					32	3.953	5.136	6.411	7.803	9.334	11.025	12.892	5.271	2.438	2.16	3.03	70	39			
					38	3.566	4.705	5.926	7.255	8.715	10.327	12.107									
					43	3.225	4.325	5.500	6.776	8.176	9.721	11.429									
OP-MSXM099ML	114X7071 114X7205	W05 W09	MLZ045T4	E	27	5.329	6.672	8.263	10.089	12.135	14.386	16.825									
					32	5.018	6.290	7.806	9.553	11.514	13.674	16.016	6.456	2.623	2.46	3.83	70	39			
					38	4.645	5.822	7.239	8.880	10.731	12.775	14.994									
					43	4.337	5.425	6.750	8.297	10.049	11.990	14.101									
OP-MSXM108ML	114X7072 114X7206	W05 W09	MLZ048T4	E	27	5.637	7.050	8.708	10.601	12.721	15.056	17.592									
					32	5.298	6.641	8.223	10.033	12.062	14.299	16.730	6.819	2.840	2.40	3.74	70	39			
					38	4.889	6.140	7.620	9.323	11.236	13.349	15.649									
					43	4.548	5.714	7.104	8.709	10.520	12.525	14.711									

MBP

(1) G - Compressor 230V/1~/50Hz, fan 230V/1~/50Hz

E - Compressor 400V/3~/50Hz, fan 230V/1~/50Hz

(2) Nominal conditions (EN13215), Evaporating temperatures at dew point, Superheat 10K, Subcooling 0K

(3) Rated conditions (EN13215), Evaporating temperature (dew point) -10°C, Ambient air temperature +32°C, Return Gas Temperature 20°C, Subcooling 0K

SEPR, Seasonal Energy Performance Ratio

Q [kW], Cooling Capacity

P [kW], Power Input



For regular updates and detailed capacities, please refer to **Coolselector®2** software



Model	Code	Version	Compressor	Electrical code (1)	Tamb [°C]	Cooling capacity Q [kW] (2)							EcoDesign (3)				Sound power level dB(A)	Sound pressure level 10 m dB(A)
						Te [°C]							Q [kW]	P [kW]	COP	SEPR		
						-20°C	-15°C	-10°C	-5°C	0°C	5°C	10°C						
OP-MSXM034ML	114X7062 114X7196	W05 W09	MLZ015T4	E	27	2.372	2.942	3.595	4.338	5.175	6.110	7.142	3.409	1.647	2.07	69	38	
					32	2.193	2.731	3.348	4.050	4.843	5.729	6.711						
					38	1.965	2.464	3.035	3.685	4.422	5.248	6.169						
					43		2.229	2.759	3.365	4.053	4.828	5.696						
OP-MSXM034ML	114X7061 114X7195	W05 W09	MLZ015T5	G	27	2.360	2.934	3.592	4.340	5.182	6.120	7.153	3.418	1.604	2.13	69	38	
					32	2.195	2.736	3.356	4.061	4.856	5.743	6.725						
					38	1.992	2.491	3.063	3.715	4.451	5.277	6.194						
					43		2.283	2.812	3.416	4.102	4.875	5.737						
OP-MSXM044ML	114X7162 114X7212	W05 W09	MLZ019T4	E	27	2.992	3.699	4.502	5.404	6.409	7.517	8.727	4.281	2.165	1.98	69	38	
					32	2.780	3.443	4.194	5.040	5.984	7.027	8.170						
					38	2.521	3.129	3.817	4.592	5.460	6.423	7.484						
					43		2.863	3.495	4.209	5.011	5.906	6.897						
OP-MSXM044ML	114X7161 114X7211	W05 W09	MLZ019T5	G	27	2.894	3.600	4.404	5.314	6.332	7.459	8.696	4.207	2.280	1.85	69	38	
					32	2.697	3.363	4.121	4.978	5.939	7.007	8.181						
					38	2.454	3.068	3.767	4.559	5.449	6.442	7.541						
					43		2.813	3.460	4.195	5.025	5.954	6.987						
OP-MSXM046ML	114X7064 114X7198	W05 W09	MLZ021T4	E	27	3.178	3.933	4.791	5.759	6.840	8.035	9.343	4.535	2.237	2.03	69	38	
					32	2.930	3.640	4.446	5.355	6.372	7.499	8.738						
					38	2.622	3.274	4.014	4.850	5.788	6.832	7.985						
					43		2.957	3.639	4.411	5.281	6.254	7.335						
OP-MSXM046ML	114X7063 114X7197	W05 W09	MLZ021T5	G	27	3.182	3.942	4.809	5.791	6.890	8.108	9.445	4.568	2.352	1.94	69	38	
					32	2.949	3.663	4.477	5.400	6.437	7.589	8.858						
					38	2.665	3.318	4.065	4.914	5.871	6.941	8.127						
					43		3.025	3.713	4.496	5.384	6.382	7.495						
OP-MSXM057ML	114X7066 114X7200	W05 W09	MLZ026T4	E	27	3.811	4.724	5.742	6.868	8.104	9.450	10.901	5.406	2.940	1.84	3.15	69	38
					32	3.473	4.333	5.289	6.345	7.506	8.770	10.138						
					38	3.048	3.841	4.718	5.688	6.754	7.919	9.186						
					43		3.412	4.221	5.114	6.099	7.179	8.360						

MBP

(1) G - Compressor 230V/1~/50Hz, fan 230V/1~/50Hz

E - Compressor 400V/3~/50Hz, fan 230V/1~/50Hz

(2) Nominal conditions (EN13215), Evaporating temperatures at dew point, Superheat 10K, Subcooling 0K

(3) Rated conditions (EN13215), Evaporating temperature (dew point) -10°C, Ambient air temperature +32°C, Return Gas Temperature 20°C, Subcooling 0K

SEPR, Seasonal Energy Performance Ratio

Q [kW], Cooling Capacity

P [kW], Power Input

This table continues on the next page



For regular updates and detailed capacities, please refer to **Coolselector®2** software



Model	Code	Version	Compressor	Electrical code (1)	Tamb [°C]	Cooling capacity Q [kW] (2)							EcoDesign (3)				Sound power level dB(A)	Sound pressure level 10 m dB(A)
						Te [°C]							Q [kW]	P [kW]	COP	SEPR		
						-20°C	-15°C	-10°C	-5°C	0°C	5°C	10°C						
OP-MSXM057ML	114X7065 114X7199	W05 W09	MLZ026T5	G	27	3.863	4.769	5.790	6.932	8.193	9.572	11.064	5.475	3.082	1.78	2.93	69	38
					32	3.561	4.404	5.354	6.416	7.593	8.883	10.284						
					38	3.185	3.945	4.803	5.766	6.836	8.016	9.306						
					43		3.548	4.323	5.197	6.175	7.260	8.454						
OP-MSXM068ML	114X7067 114X7201	W05 W09	MLZ030T5	G	27	4.812	5.958	7.265	8.744	10.404	12.248	14.278	6.890	3.266	2.11	3.30	70	39
					32	4.447	5.529	6.761	8.157	9.726	11.473	13.403						
					38	3.993	4.993	6.132	7.424	8.879	10.507	12.313						
					43		4.531	5.587	6.788	8.146	9.671	11.373						
OP-MSXM068ML	114X7068 114X7202	W05 W09	MLZ030T4	E	27	4.860	5.997	7.295	8.767	10.419	12.259	14.287	6.911	3.138	2.20	3.48	70	39
					32	4.485	5.559	6.783	8.172	9.734	11.476	13.402						
					38	4.012	5.003	6.134	7.418	8.867	10.490	12.292						
					43		4.516	5.564	6.757	8.109	9.629	11.326						
OP-MSXM080ML	114X7069 114X7203	W05 W09	MLZ038T5	G	27	5.554	6.850	8.310	9.943	11.753	13.739	15.900	7.919	3.985	1.99	3.07	70	39
					32	5.167	6.388	7.759	9.290	10.988	12.855	14.891						
					38	4.680	5.803	7.062	8.467	10.027	11.747	13.631						
					43		5.292	6.452	7.747	9.188	10.783	12.539						
OP-MSXM080ML	114X7070 114X7204	W05 W09	MLZ038T4	E	27	5.654	6.949	8.417	10.066	11.901	13.922	16.126	7.969	3.716	2.14	3.49	70	39
					32	5.214	6.433	7.812	9.361	11.088	12.995	15.081						
					38	4.667	5.786	7.053	8.479	10.073	11.838	13.779						
					43		5.227	6.395	7.714	9.192	10.836	12.654						
OP-MSXM099ML	114X7071 114X7205	W05 W09	MLZ045T4	E	27	6.863	8.500	10.345	12.405	14.683	17.178	19.881	9.800	4.693	2.09	3.46	70	39
					32	6.342	7.876	9.600	11.525	13.656	15.995	18.537						
					38	5.692	7.092	8.663	10.419	12.367	14.513	16.859						
					43		6.412	7.848	9.456	11.247	13.228	15.406						
OP-MSXM108ML	114X7072 114X7206	W05 W09	MLZ048T4	E	27	7.357	9.067	10.997	13.154	15.541	18.156	20.992	10.403	5.300	1.96	3.31	70	39
					32	6.775	8.377	10.182	12.201	14.439	16.897	19.572						
					38	6.050	7.513	9.161	11.008	13.061	15.326	17.804						
					43		6.764	8.274	9.971	11.865	13.964	16.275						

MBP

(1) **G** - Compressor 230V/1~/50Hz, fan 230V/1~/50Hz

E - Compressor 400V/3~/50Hz, fan 230V/1~/50Hz

(2) Nominal conditions (EN13215), Evaporating temperatures at dew point, Superheat 10K, Subcooling 0K

(3) Rated conditions (EN13215), Evaporating temperature (dew point) -10°C, Ambient air temperature +32°C, Return Gas Temperature 20°C, Subcooling 0K

SEPR, Seasonal Energy Performance Ratio

Q [kW], Cooling Capacity

P [kW], Power Input



For regular updates and detailed capacities, please refer to **Coolselector®2** software



Model	Code	Version	Compressor	Electrical code (1)	Tamb [°C]	Cooling capacity Q [kW] (2)							EcoDesign (3)				Sound power level dB(A)	Sound pressure level 10 m dB(A)
						Te [°C]							Q [kW]	P [kW]	COP	SEPR		
						-20°C	-15°C	-10°C	-5°C	0°C	5°C	10°C						
OP-MSYM009MY	114X7108 114X7133	W05 W09	MLY90RAB	G	27	0.668	0.878	1.098	1.327	1.566	1.813							
					32	0.609	0.801	1.004	1.217	1.441	1.673	0.813	0.430	1.89		62	31	
					38	0.540	0.710	0.892	1.086	1.290	1.504							
					43	0.482	0.635	0.800	0.976	1.164	1.364							
OP-MSYM012MP	114X7109 114X7134	W05 W09	MPT12RA	G	27	0.930	1.198	1.478	1.768	2.067	2.373							
					32	0.848	1.095	1.353	1.623	1.902	2.191	1.112	0.589	1.89		65	34	
					38	0.751	0.971	1.204	1.449	1.705	1.972							
					43	0.670	0.868	1.080	1.304	1.541	1.790							
OP-MSYM014MP	114X7110 114X7135	W05 W09	MPT14RA	G	27	0.978	1.251	1.544	1.859	2.193	2.546							
					32	0.896	1.147	1.421	1.716	2.032	2.367	1.166	0.729	1.60		60	29	
					38	0.799	1.024	1.273	1.544	1.838	2.153							
					43	0.718	0.922	1.150	1.401	1.676	1.974							
OP-MSYM018AJ	114X7111 114X7136	W05 W09	CAJ9510Z	G	27	0.932	1.233	1.594	2.022	2.527	3.114	3.791						
					32	0.854	1.134	1.469	1.868	2.339	2.889	3.524	1.491	0.781	1.91		64	33
					38	1.015	1.321	1.685	2.117	2.622	3.209							
					43	0.916	1.199	1.535	1.934	2.404	2.950							
OP-MSYM024AJ	114X7097 114X7194	W05 W09	CAJ9513Z	G	27	1.153	1.549	2.021	2.577	3.222	3.960	4.796						
					32	1.041	1.409	1.847	2.363	2.964	3.655	4.439	1.876	0.902	2.08		64	33
					38	1.244	1.643	2.113	2.663	3.297	4.021							
					43	1.107	1.475	1.909	2.417	3.006	3.679							
OP-MSYM026AJ	114X7083 114X7190	W05 W09	CAJ4517Z	G	27	1.321	1.737	2.227	2.802	3.469	4.235	5.103						
					32	1.203	1.591	2.047	2.582	3.205	3.923	4.739	2.080	1.009	2.06		67	36
					38	1.416	1.833	2.323	2.894	3.554	4.309							
					43	1.271	1.657	2.109	2.638	3.252	3.956							
OP-MSYM026AJ	114X7093 114X7192	W05 W09	TAJ4517Z	E	27	1.298	1.730	2.233	2.819	3.495	4.268	5.144						
					32	1.169	1.575	2.048	2.597	3.232	3.960	4.785	2.081	1.059	1.97		67	36
					38	1.388	1.824	2.330	2.917	3.590	4.356							
					43	1.231	1.637	2.109	2.654	3.283	4.000							
OP-MSYM034AJ	114X7094 114X7193	W05 W09	TAJ4519Z	E	27	1.650	2.164	2.762	3.451	4.239	5.132	6.131						
					32	1.503	1.986	2.546	3.191	3.930	4.768	5.708	2.591	1.350	1.92		68	37
					38	1.771	2.288	2.882	3.562	4.336	5.206							
					43	1.589	2.071	2.625	3.259	3.980	4.792							
OP-MSYM034AJ	114X7084 114X7191	W05 W09	CAJ4519Z	G	27	1.650	2.185	2.805	3.521	4.340	5.269	6.309						
					32	1.498	2.000	2.581	3.251	4.018	4.889	5.866	2.627	1.416	1.86		68	37
					38	1.776	2.310	2.925	3.630	4.431	5.333							
					43	1.588	2.083	2.652	3.306	4.050	4.889							
OP-MSXM034ML	114X7062 114X7196	W05 W09	MLZ015T4	E	27	2.367	2.937	3.590	4.334	5.172	6.108	7.142						
					32	2.187	2.726	3.343	4.046	4.839	5.727	6.711	3.409	1.647	2.07		69	38
					38	1.960	2.458	3.029	3.681	4.418	5.246	6.169						
					43	2.224	2.754	3.360	4.049	4.826	5.696							
OP-MSXM034ML	114X7061 114X7195	W05 W09	MLZ015T5	G	27	2.355	2.929	3.587	4.336	5.179	6.118	7.153						
					32	2.189	2.731	3.351	4.057	4.852	5.741	6.725	3.418	1.604	2.13		69	38
					38	1.987	2.486	3.058	3.710	4.447	5.274	6.194						
					43	2.277	2.807	3.412	4.098	4.872	5.737							

MBP

(1) G - Compressor 230V/1~/50Hz, fan 230V/1~/50Hz

E - Compressor 400V/3~/50Hz, fan 230V/1~/50Hz

(2) Nominal conditions (EN13215), Evaporating temperatures at dew point, Superheat 10K, Subcooling 0K

(3) Rated conditions (EN13215), Evaporating temperature (dew point) -10°C, Ambient air temperature +32°C, Return Gas Temperature 20°C, Subcooling 0K

SEPR, Seasonal Energy Performance Ratio

Q [kW], Cooling Capacity

P [kW], Power Input

This table continues on the next page



For regular updates and detailed capacities, please refer to **Coolselector®2** software



Model	Code	Version	Compressor	Electrical code (1)	Tamb [°C]	Cooling capacity Q [kW] (2)							EcoDesign (3)				Sound power level dB(A)	Sound pressure level 10 m dB(A)
						Te [°C]							Q [kW]	P [kW]	COP	SEPR		
						-20°C	-15°C	-10°C	-5°C	0°C	5°C	10°C						
OP-MSXM044ML	114X7162 114X7212	W05 W09	MLZ019T4	E	27	2.986	3.693	4.495	5.398	6.405	7.515	8.727	4.281	2.165	1.98		69	38
					32	2.773	3.436	4.188	5.034	5.980	7.025	8.170						
					38	2.514	3.122	3.810	4.586	5.455	6.420	7.484						
					43		2.856	3.489	4.203	5.007	5.903	6.897						
OP-MSXM044ML	114X7161 114X7211	W05 W09	MLZ019T5	G	27	2.888	3.593	4.398	5.308	6.327	7.457	8.696	4.207	2.280	1.85		69	38
					32	2.691	3.356	4.114	4.972	5.935	7.004	8.181						
					38	2.447	3.061	3.760	4.553	5.445	6.439	7.541						
					43		2.806	3.454	4.189	5.020	5.951	6.987						
OP-MSXM046ML	114X7064 114X7198	W05 W09	MLZ021T4	E	27	3.171	3.926	4.785	5.753	6.835	8.032	9.343	4.535	2.237	2.03		69	38
					32	2.923	3.633	4.439	5.349	6.367	7.497	8.738						
					38	2.615	3.267	4.007	4.843	5.783	6.829	7.985						
					43		2.950	3.632	4.405	5.276	6.251	7.335						
OP-MSXM046ML	114X7063 114X7197	W05 W09	MLZ021T5	G	27	3.175	3.935	4.802	5.785	6.885	8.106	9.445	4.568	2.352	1.94		69	38
					32	2.942	3.655	4.470	5.394	6.432	7.586	8.858						
					38	2.657	3.311	4.058	4.908	5.866	6.938	8.127						
					43		3.018	3.705	4.490	5.379	6.379	7.495						
OP-MSXM057ML	114X7066 114X7200	W05 W09	MLZ026T4	E	27	3.803	4.716	5.734	6.861	8.099	9.446	10.901	5.406	2.940	1.84	3.15	69	38
					32	3.464	4.325	5.281	6.338	7.500	8.767	10.138						
					38	3.040	3.832	4.710	5.680	6.748	7.916	9.186						
					43		3.403	4.213	5.107	6.093	7.176	8.360						
OP-MSXM057ML	114X7065 114X7199	W05 W09	MLZ026T5	G	27	3.855	4.760	5.782	6.924	8.188	9.569	11.064	5.475	3.082	1.78	2.93	69	38
					32	3.553	4.395	5.345	6.409	7.587	8.880	10.284						
					38	3.176	3.936	4.795	5.758	6.830	8.013	9.306						
					43		3.539	4.315	5.190	6.169	7.257	8.454						
OP-MSXM068ML	114X7067 114X7201	W05 W09	MLZ030T5	G	27	4.802	5.948	7.255	8.735	10.397	12.244	14.278	6.890	3.266	2.11	3.30	70	39
					32	4.436	5.518	6.751	8.148	9.719	11.469	13.403						
					38	3.983	4.982	6.121	7.414	8.872	10.503	12.313						
					43		4.520	5.577	6.779	8.139	9.667	11.373						
OP-MSXM068ML	114X7068 114X7202	W05 W09	MLZ030T4	E	27	4.849	5.986	7.285	8.758	10.412	12.255	14.287	6.911	3.138	2.20	3.48	70	39
					32	4.475	5.548	6.773	8.163	9.727	11.472	13.402						
					38	4.001	4.992	6.123	7.409	8.860	10.486	12.292						
					43		4.505	5.553	6.748	8.102	9.625	11.326						
OP-MSXM080ML	114X7069 114X7203	W05 W09	MLZ038T5	G	27	5.542	6.838	8.298	9.933	11.744	13.735	15.900	7.919	3.985	1.99	3.07	70	39
					32	5.155	6.375	7.747	9.279	10.980	12.850	14.891						
					38	4.667	5.790	7.049	8.456	10.018	11.742	13.631						
					43		5.279	6.439	7.736	9.180	10.778	12.539						
OP-MSXM080ML	114X7070 114X7204	W05 W09	MLZ038T4	E	27	5.641	6.937	8.405	10.056	11.893	13.917	16.126	7.969	3.716	2.14	3.49	70	39
					32	5.202	6.420	7.800	9.351	11.080	12.990	15.081						
					38	4.654	5.774	7.041	8.469	10.064	11.833	13.779						
					43		5.214	6.383	7.703	9.183	10.832	12.654						
OP-MSXM099ML	114X7071 114X7205	W05 W09	MLZ045T4	E	27	6.848	8.485	10.330	12.392	14.673	17.172	19.881	9.800	4.693	2.09	3.46	70	39
					32	6.327	7.860	9.585	11.512	13.646	15.989	18.537						
					38	5.676	7.076	8.648	10.405	12.357	14.507	16.859						
					43		6.396	7.833	9.443	11.237	13.222	15.406						
OP-MSXM108ML	114X7072 114X7206	W05 W09	MLZ048T4	E	27	7.341	9.051	10.981	13.140	15.530	18.149	20.992	10.403	5.300	1.96	3.31	70	39
					32	6.758	8.360	10.166	12.187	14.428	16.891	19.572						
					38	6.033	7.496	9.145	10.994	13.050	15.319	17.804						
					43		6.748	8.258	9.957	11.854	13.958	16.275						

MBP

(1) G - Compressor 230V/1~/50Hz, fan 230V/1~/50Hz

E - Compressor 400V/3~/50Hz, fan 230V/1~/50Hz

(2) Nominal conditions (EN13215), Evaporating temperatures at dew point, Superheat 10K, Subcooling 0K

(3) Rated conditions (EN13215), Evaporating temperature (dew point) -10°C, Ambient air temperature +32°C, Return Gas Temperature 20°C, Subcooling 0K

SEPR, Seasonal Energy Performance Ratio

Q [kW], Cooling Capacity

P [kW], Power Input



For regular updates and detailed capacities, please refer to **Coolselector®2** software



Model	Code	Version	Compressor	Electrical code (1)	Tamb [°C]	Cooling capacity Q [kW] (2)							EcoDesign (3)				Sound power level dB(A)	Sound pressure level 10 m dB(A)
						Te [°C]							Q [kW]	P [kW]	COP	SEPR		
						-20°C	-15°C	-10°C	-5°C	0°C	5°C	10°C						
OP-MSYM018AJ	114X7111 114X7136	W05 W09	CAJ9510Z	G	27	1.020	1.315	1.665	2.079	2.564	3.126	3.772	1.588	0.860	1.85		64	33
					32	0.928	1.202	1.526	1.910	2.360	2.884	3.487						
					38	-	-	1.358	1.705	2.114	2.591	3.142						
					43	-	-	1.216	1.533	1.907	2.345	2.852						
OP-MSYM024AJ	114X7097 114X7194	W05 W09	CAJ9513Z	G	27	-	1.649	2.109	2.647	3.267	3.974	-	1.995	0.994	2.01		64	33
					32	-	1.491	1.916	2.413	2.988	3.645	-						
					38	-	1.302	1.685	2.134	2.655	3.252	-						
					43	-	1.143	1.493	1.902	2.377	2.924	-						
OP-MSYM026AJ	114X7093 114X7192	W05 W09	TAJ4517Z	E	27	1.417	1.840	2.328	2.893	3.541	4.278	5.109	2.211	1.169	1.89		67	36
					32	1.267	1.664	2.122	2.649	3.253	3.943	4.721						
					38	1.085	1.450	1.868	2.349	2.902	3.532	4.246						
					43	-	1.270	1.654	2.096	2.603	3.184	3.843						
OP-MSYM026AJ	114X7083 114X7190	W05 W09	CAJ4517Z	G	27	1.442	1.848	2.322	2.876	3.515	4.246	5.071	2.210	1.113	1.99		67	36
					32	1.304	1.681	2.121	2.634	3.228	3.908	4.678						
					38	1.138	1.480	1.878	2.342	2.880	3.499	4.203						
					43	-	1.311	1.674	2.097	2.589	3.156	3.804						
OP-MSYM034AJ	114X7094 114X7193	W05 W09	TAJ4519Z	E	27	1.797	2.297	2.873	3.534	4.286	5.133	6.077	2.746	1.490	1.84		68	37
					32	1.625	2.094	2.631	3.245	3.944	4.732	5.612						
					38	1.415	1.845	2.335	2.893	3.529	4.246	5.049						
					43	-	1.633	2.083	2.595	3.177	3.834	4.571						
OP-MSYM034AJ	114X7084 114X7191	W05 W09	CAJ4519Z	G	27	1.796	2.318	2.917	3.605	4.387	5.269	6.251	2.784	1.563	1.78		68	37
					32	1.619	2.107	2.666	3.305	4.031	4.851	5.766						
					38	1.403	1.849	2.357	2.935	3.594	4.338	5.171						
					43	-	1.631	2.094	2.621	3.222	3.901	4.663						
OP-MSXM034ML	114X7062 114X7196	W05 W09	MLZ015T4	E	27	2.543	3.128	3.789	4.528	5.345	6.239	7.205	3.532	1.596	2.21		69	38
					32	2.311	2.854	3.466	4.151	4.909	5.739	6.639						
					38	2.020	2.509	3.062	3.680	4.365	5.117	5.937						
					43	1.767	2.211	2.711	3.271	3.894	4.581	5.333						
OP-MSXM034ML	114X7061 114X7195	W05 W09	MLZ015T5	G	27	2.660	3.222	3.858	4.568	5.354	6.216	7.152	3.646	1.684	2.16		69	38
					32	2.461	2.983	3.575	4.238	4.973	5.781	6.664						
					38	2.214	2.688	3.227	3.831	4.505	5.249	6.065						
					43	2.003	2.436	2.929	3.485	4.106	4.796	5.557						
OP-MSXM044ML	114X7162 114X7212	W05 W09	MLZ019T4	E	27	3.308	4.011	4.799	5.673	6.629	7.663	8.770	4.533	2.097	2.16		69	38
					32	3.058	3.709	4.437	5.243	6.127	7.085	8.114						
					38	2.746	3.330	3.983	4.706	5.501	6.367	7.302						
					43	2.476	3.002	3.590	4.242	4.961	5.748	6.603						
OP-MSXM044ML	114X7161 114X7211	W05 W09	MLZ019T5	G	27	3.374	4.081	4.876	5.757	6.723	7.770	8.893	3.532	1.596	2.21		69	38
					32	3.116	3.771	4.506	5.320	6.214	7.185	8.230						
					38	2.791	3.381	4.040	4.772	5.577	6.455	7.405						
					43	2.508	3.040	3.635	4.296	5.025	5.824	6.694						

MBP

(1) **G** - Compressor 230V/1~/50Hz, fan 230V/1~/50Hz
E - Compressor 400V/3~/50Hz, fan 230V/1~/50Hz

(2) Nominal conditions (EN13215), Evaporating temperatures at dew point, Superheat 10K, Subcooling 0K

(3) Rated conditions (EN13215), Evaporating temperature (dew point) -10°C, Ambient air temperature +32°C, Return Gas Temperature 20°C, Subcooling 0K

SEPR, Seasonal Energy Performance Ratio

Q [kW], Cooling Capacity

P [kW], Power Input

* Preliminary data

This table continues on the next page



For regular updates and detailed capacities, please refer to **Coolselector®2** software



Model	Code	Version	Compressor	Electrical code (1)	Tamb [°C]	Cooling capacity Q [kW] (2)							EcoDesign (3)				Sound power level dB(A)	Sound pressure level 10 m dB(A)	
						Te [°C]							Q [kW]	P [kW]	COP	SEPR			
						-20°C	-15°C	-10°C	-5°C	0°C	5°C	10°C							
OP-MSXM046ML	114X7064 114X7198	W05 W09	MLZ021T4	E	27	3.493	4.224	5.044	5.951	6.942	8.014	9.159							
					32	3.224	3.901	4.658	5.495	6.412	7.405	8.470	4.761	2.224	2.14		69	38	
					38	2.886	3.494	4.172	4.923	5.748	6.645	7.612							
					43	2.592	3.139	3.749	4.426	5.172	5.987	6.871							
OP-MSXM046ML	114X7063 114X7197	W05 W09	MLZ021T5	G	27	3.425	4.224	5.114	6.096	7.164	8.312	9.534							
					32	3.194	3.940	4.768	5.678	6.667	7.730	8.862	4.877	2.346	2.08		69	38	
					38	2.885	3.562	4.310	5.130	6.021	6.980	8.005							
					43	2.602	3.217	3.894	4.637	5.444	6.315	7.250							
OP-MSXM057ML	114X7065 114X7199	W05 W09	MLZ026T5	G	27	4.122	4.969	5.913	6.954	8.086	9.304	10.600							
					32	3.800	4.578	5.447	6.404	7.449	8.576	9.781	5.583	3.142	1.78	3.04	69	38	
					38	3.403	4.096	4.870	5.726	6.662	7.679	8.772							
					43	3.060	3.680	4.373	5.141	5.986	6.908	7.908							
OP-MSXM057ML	114X7066 114X7200	W05 W09	MLZ026T4	E	27	4.125	4.972	5.918	6.962	8.098	9.321	10.624							
					32	3.805	4.584	5.455	6.416	7.465	8.597	9.809	5.590	3.022	1.85	3.15	69	38	
					38	3.411	4.106	4.883	5.742	6.684	7.706	8.807							
					43	3.071	3.693	4.389	5.162	6.012	6.941	7.949							
OP-MSXM068ML	114X7068 114X7202	W05 W09	MLZ030T4	E	27	5.417	6.593	7.931	9.439	11.120	12.975	15.000							
					32	5.016	6.118	7.371	8.784	10.362	12.107	14.018	7.514	3.131	2.40	3.87	70	39	
					38	4.514	5.524	6.671	7.966	9.417	11.027	12.799							
					43	4.078	5.007	6.062	7.256	8.597	10.093	11.747							
OP-MSXM068ML	114X7067 114X7201	W05 W09	MLZ030T5	G	27	5.420	6.596	7.933	9.440	11.120	12.973	14.995							
					32	5.017	6.119	7.373	8.785	10.361	12.103	14.012	7.516	3.195	2.35	3.79	70	39	
					38	4.514	5.524	6.671	7.965	9.414	11.021	12.790							
					43	4.076	5.006	6.061	7.254	8.593	10.086	11.736							
OP-MSXM080ML	114X7069 114X7203	W05 W09	MLZ038T5	G	27	6.388	7.726	9.237	10.922	12.779	14.805	16.989							
					32	5.906	7.152	8.555	10.120	11.846	13.732	15.772	8.733	3.937	2.22	3.61	70	39	
					38	5.291	6.418	7.686	9.100	10.665	12.380	14.243							
					43	4.747	5.768	6.918	8.203	9.628	11.198	12.911							
OP-MSXM080ML	114X7070 114X7204	W05 W09	MLZ038T4	E	27	6.425	7.767	9.281	10.971	12.837	14.875	17.078							
					32	5.939	7.191	8.602	10.177	11.918	13.822	15.886	8.780	3.684	2.38	3.84	70	39	
					38	5.314	6.450	7.730	9.159	10.743	12.482	14.376							
					43	4.762	5.793	6.956	8.257	9.705	11.302	13.051							
OP-MSXM099ML	114X7071 114X7205	W05 W09	MLZ045T4	E	27	7.544	9.131	10.906	12.870	15.021	17.353	19.855							
					32	6.902	8.380	10.031	11.858	13.860	16.034	18.373	10.256	4.875	2.10	3.52	70	39	
					38	6.095	7.433	8.926	10.579	12.396	14.375	16.514							
					43	5.395	6.606	7.960	9.462	11.118	12.929	14.896							
OP-MSXM108ML	114X7072 114X7206	W05 W09	MLZ048T4	E	27	8.136	9.851	11.742	13.807	16.038	18.425	20.953							
					32	7.419	9.018	10.776	12.693	14.763	16.980	19.334	11.027	5.463	2.02	3.48	70	39	
					38	6.510	7.957	9.545	11.275	13.147	15.155	17.296							
					43	5.717	7.027	8.465	10.033	11.733	13.563	15.523							

MBP

(1) **G** - Compressor 230V/1~/50Hz, fan 230V/1~/50Hz
E - Compressor 400V/3~/50Hz, fan 230V/1~/50Hz

(2) Nominal conditions (EN13215), Evaporating temperatures at dew point, Superheat 10K, Subcooling 0K

(3) Rated conditions (EN13215), Evaporating temperature (dew point) -10°C, Ambient air temperature +32°C, Return Gas Temperature 20°C, Subcooling 0K

SEPR, Seasonal Energy Performance Ratio

Q [kW], Cooling Capacity

P [kW], Power Input

* Preliminary data



For regular updates and detailed capacities, please refer to **Coolselector®2** software



Model	Code	Version	Compressor	Electrical code (1)	Tamb [°C]	Cooling capacity Q [kW] (2)							EcoDesign (3)				Sound power level dB(A)	Sound pressure level 10 m dB(A)
						Te [°C]							Q [kW]	P [kW]	COP	SEPR		
						-20°C	-15°C	-10°C	-5°C	0°C	5°C	10°C						
OP-MSXM034ML	114X7062 114X7196	W05 W09	MLZ015T4	E	27	2.297	2.872	3.545	4.322	5.210	6.211	7.326	3.351	1.536	2.18	69	38	
					32	2.112	2.653	3.288	4.024	4.865	5.815	6.876						
					38	1.881	2.379	2.965	3.648	4.431	5.318	6.312						
					43		2.141	2.684	3.320	4.053	4.886	5.822						
OP-MSXM034ML	114X7061 114X7195	W05 W09	MLZ015T5	G	27	2.326	2.908	3.588	4.374	5.271	6.282	7.408	3.392	1.560	2.17	69	38	
					32	2.138	2.686	3.328	4.071	4.921	5.881	6.952						
					38	1.903	2.407	3.000	3.690	4.480	5.376	6.379						
					43		2.166	2.715	3.357	4.097	4.938	5.882						
OP-MSXM044ML	114X7162 114X7212	W05 W09	MLZ019T4	E	27	2.851	3.553	4.369	5.304	6.362	7.543	8.846	4.122	2.078	1.98	69	38	
					32	2.612	3.270	4.036	4.917	5.915	7.031	8.264						
					38	2.313	2.915	3.619	4.431	5.354	6.390	7.538						
					43		2.608	3.256	4.008	4.866	5.834	6.908						
OP-MSXM044ML	114X7161 114X7211	W05 W09	MLZ019T5	G	27	2.836	3.534	4.346	5.276	6.328	7.503	8.799	4.098	2.205	1.86	69	38	
					32	2.596	3.250	4.012	4.888	5.880	6.989	8.214						
					38	2.296	2.894	3.593	4.399	5.316	6.344	7.483						
					43		2.586	3.228	3.974	4.825	5.784	6.850						
OP-MSXM046ML	114X7064 114X7198	W05 W09	MLZ021T4	E	27	2.968	3.727	4.597	5.584	6.691	7.919	9.265	4.364	2.204	1.98	69	38	
					32	2.732	3.451	4.274	5.206	6.252	7.413	8.687						
					38	2.438	3.105	3.868	4.732	5.702	6.780	7.965						
					43		2.805	3.515	4.320	5.225	6.231	7.339						
OP-MSXM046ML	114X7063 114X7197	W05 W09	MLZ021T5	G	27	3.021	3.794	4.678	5.680	6.803	8.047	9.411	4.440	2.248	1.97	69	38	
					32	2.781	3.512	4.348	5.294	6.355	7.531	8.820						
					38	2.480	3.159	3.933	4.810	5.794	6.885	8.083						
					43		2.852	3.572	4.389	5.306	6.324	7.445						
OP-MSXM057ML	114X7066 114X7200	W05 W09	MLZ026T4	E	27	3.575	4.477	5.501	6.652	7.929	9.331	10.849	5.214	2.788	1.87	3.01	69	38
					32	3.281	4.132	5.096	6.179	7.381	8.699	10.128						
					38	2.912	3.698	4.588	5.586	6.693	7.909	9.229						
					43		3.320	4.144	5.068	6.094	7.223	8.448						

MBP

(1) G - Compressor 230V/1~/50Hz, fan 230V/1~/50Hz

E - Compressor 400V/3~/50Hz, fan 230V/1~/50Hz

(2) Nominal conditions (EN13215), Evaporating temperatures at dew point, Superheat 10K, Subcooling 0K

(3) Rated conditions (EN13215), Evaporating temperature (dew point) -10°C, Ambient air temperature +32°C, Return Gas Temperature 20°C, Subcooling 0K

SEPR, Seasonal Energy Performance Ratio

Q [kW], Cooling Capacity

P [kW], Power Input

This table continues on the next page



For regular updates and detailed capacities, please refer to **Coolselector®2** software



Model	Code	Version	Compressor	Electrical code (1)	Tamb [°C]	Cooling capacity Q [kW] (2)							EcoDesign (3)				Sound power level dB(A)	Sound pressure level 10 m dB(A)
						Te [°C]							Q [kW]	P [kW]	COP	SEPR		
						-20°C	-15°C	-10°C	-5°C	0°C	5°C	10°C						
OP-MSXM057ML	114X7065 114X7199	W05 W09	MLZ026T5	G	27	3.636	4.551	5.590	6.757	8.051	9.468	11.002	5.298	2.833	1.87	3.02	69	38
					32	3.336	4.199	5.178	6.275	7.492	8.824	10.267						
					38	2.960	3.757	4.659	5.670	6.790	8.019	9.350						
					43		3.372	4.206	5.141	6.180	7.319	8.555						
OP-MSXM068ML	114X7067 114X7201	W05 W09	MLZ030T5	G	27	4.657	5.759	7.057	8.559	10.269	12.191	14.322	6.722	3.117	2.16	3.46	70	39
					32	4.361	5.381	6.589	7.994	9.602	11.415	13.433						
					38	4.021	4.938	6.034	7.318	8.798	10.476	12.354						
					43		4.579	5.576	6.756	8.124	9.687	11.445						
OP-MSXM068ML	114X7068 114X7202	W05 W09	MLZ030T4	E	27	4.693	5.804	7.111	8.624	10.346	12.281	14.426	6.774	2.991	2.27	3.62	70	39
					32	4.395	5.424	6.642	8.057	9.677	11.503	13.534						
					38	4.054	4.979	6.084	7.379	8.870	10.561	12.453						
					43		4.619	5.625	6.815	8.195	9.770	11.542						
OP-MSXM080ML	114X7069 114X7203	W05 W09	MLZ038T5	G	27	5.297	6.531	7.978	9.644	11.533	13.643	15.969	7.601	3.817	1.99	3.22	70	39
					32	4.957	6.097	7.441	8.996	10.767	12.753	14.950						
					38	4.568	5.588	6.801	8.217	9.841	11.674	13.713						
					43		5.176	6.275	7.570	9.066	10.767	12.669						
OP-MSXM080ML	114X7070 114X7204	W05 W09	MLZ038T4	E	27	5.357	6.606	8.069	9.754	11.663	13.796	16.145	7.691	3.546	2.17	3.48	70	39
					32	5.016	6.170	7.530	9.104	10.895	12.904	15.126						
					38	4.624	5.659	6.889	8.324	9.969	11.824	13.887						
					43		5.245	6.361	7.675	9.193	10.916	12.844						
OP-MSXM099ML	114X7071 114X7205	W05 W09	MLZ045T4	E	27	6.413	8.067	9.958	12.096	14.490	17.138	20.039	9.357	4.629	2.02	3.31	70	39
					32	5.808	7.373	9.161	11.184	13.451	15.962	18.716						
					38	5.060	6.514	8.175	10.057	12.169	14.514	17.091						
					43		5.776	7.328	9.090	11.071	13.275	15.704						
OP-MSXM108ML	114X7072 114X7206	W05 W09	MLZ048T4	E	27	6.935	8.714	10.739	13.021	15.563	18.365	21.418	10.082	5.206	1.94	3.19	70	39
					32	6.269	7.949	9.862	12.019	14.424	17.077	19.972						
					38	5.444	7.003	8.777	10.780	13.017	15.490	18.194						
					43		6.188	7.844	9.715	11.810	14.131	16.675						

MBP

(1) G - Compressor 230V/1~/50Hz, fan 230V/1~/50Hz

E - Compressor 400V/3~/50Hz, fan 230V/1~/50Hz

(2) Nominal conditions (EN13215), Evaporating temperatures at dew point, Superheat 10K, Subcooling 0K

(3) Rated conditions (EN13215), Evaporating temperature (dew point) -10°C, Ambient air temperature +32°C, Return Gas Temperature 20°C, Subcooling 0K

SEPR, Seasonal Energy Performance Ratio

Q [kW], Cooling Capacity

P [kW], Power Input



For regular updates and detailed capacities, please refer to **Coolselector®2** software



Model	Code	Version	Compressor	Electrical code (1)	Tamb [°C]	Cooling capacity Q [kW] (2)							EcoDesign (3)				Sound power level dB(A)	Sound pressure level 10 m dB(A)
						Te [°C]							Q [kW]	P [kW]	COP	SEPR		
						-20°C	-15°C	-10°C	-5°C	0°C	5°C	10°C						
OP-MSXM034ML	114X7062 114X7196	W05 W09	MLZ015T4	E	27	2.441	3.044	3.746	4.555	5.477	6.514	7.669	3.515	1.639	2.14	69	38	
					32	2.250	2.819	3.483	4.250	5.125	6.112	7.213						
					38		2.536	3.151	3.864	4.681	5.605	6.638						
					43			2.861	3.526	4.292	5.161	6.136						
OP-MSXM034ML	114X7061 114X7195	W05 W09	MLZ015T5	G	27	2.499	3.115	3.833	4.659	5.598	6.655	7.831	3.596	1.680	2.14	69	38	
					32	2.303	2.884	3.563	4.345	5.237	6.243	7.362						
					38		2.594	3.221	3.948	4.780	5.721	6.772						
					43			2.924	3.602	4.381	5.266	6.257						
OP-MSXM044ML	114X7162 114X7212	W05 W09	MLZ019T4	E	27	3.059	3.801	4.660	5.640	6.746	7.977	9.333	4.362	2.251	1.94	69	38	
					32	2.809	3.506	4.313	5.237	6.282	7.447	8.732						
					38		3.135	3.877	4.730	5.697	6.780	7.977						
					43			3.497	4.286	5.187	6.199	7.321						
OP-MSXM044ML	114X7161 114X7211	W05 W09	MLZ019T5	G	27	3.042	3.780	4.634	5.609	6.709	7.934	9.281	4.336	2.391	1.81	69	38	
					32	2.792	3.484	4.286	5.205	6.243	7.401	8.677						
					38		3.111	3.848	4.694	5.654	6.729	7.917						
					43			3.465	4.248	5.140	6.143	7.255						
OP-MSXM046ML	114X7064 114X7198	W05 W09	MLZ021T4	E	27	3.186	3.991	4.910	5.946	7.103	8.380	9.776	4.624	2.390	1.94	69	38	
					32	2.940	3.704	4.574	5.555	6.650	7.860	9.183						
					38		3.343	4.151	5.062	6.080	7.207	8.439						
					43			3.781	4.631	5.583	6.637	7.792						
OP-MSXM046ML	114X7063 114X7197	W05 W09	MLZ021T5	G	27	3.243	4.062	4.995	6.047	7.220	8.515	9.928	4.704	2.439	1.93	69	38	
					32	2.993	3.769	4.652	5.647	6.758	7.984	9.322						
					38		3.400	4.220	5.144	6.176	7.316	8.563						
					43			3.842	4.704	5.668	6.734	7.902						
OP-MSXM057ML	114X7066 114X7200	W05 W09	MLZ026T4	E	27	3.782	4.724	5.790	6.983	8.302	9.743	11.298	5.445	2.992	1.82	2.98	69	38
					32	3.479	4.370	5.375	6.499	7.742	9.100	10.567						
					38		3.923	4.852	5.889	7.037	8.293	9.650						
					43			4.393	5.355	6.421	7.587							

MBP

(1) **G** - Compressor 230V/1~/50Hz, fan 230V/1~/50Hz
E - Compressor 400V/3~/50Hz, fan 230V/1~/50Hz

(2) Nominal conditions (EN13215), Evaporating temperatures at dew point, Superheat 10K, Subcooling 0K

(3) Rated conditions (EN13215), Evaporating temperature (dew point) -10°C, Ambient air temperature +32°C, Return Gas Temperature 20°C, Subcooling 0K

SEPR, Seasonal Energy Performance Ratio

Q [kW], Cooling Capacity

P [kW], Power Input

This table continues on the next page



For regular updates and detailed capacities, please refer to **Coolselector®2** software



Model	Code	Version	Compressor	Electrical code (1)	T _{amb} [°C]	Cooling capacity Q [kW] (2)							EcoDesign (3)				Sound power level dB(A)	Sound pressure level 10 m dB(A)	
						T _e [°C]							Q [kW]	P [kW]	COP	SEPR			
						-20°C	-15°C	-10°C	-5°C	0°C	5°C	10°C							
OP-MSXM057ML	114X7065 114X7199	W05 W09	MLZ026T5	G	27	3.898	4.867	5.960	7.182	8.530	9.743	11.583							
					32	3.584	4.499	5.530	6.680	7.949	9.333	10.824	5.604	3.095	1.81	2.98	69	38	
					38		4.035	4.986	6.047	7.218	8.495	9.873							
					43			4.510	5.493	6.578	7.764								
OP-MSXM068ML	114X7067 114X7201	W05 W09	MLZ030T5	G	27	5.011	6.171	7.530	9.097	10.876	12.869	15.074							
					32	4.713	5.790	7.058	8.527	10.203	12.087	14.178	7.129	3.361	2.12	3.41	70	39	
					38		5.344	6.497	7.843	9.389	11.137	13.088							
					43			6.036	7.275	8.708	10.339	12.168							
OP-MSXM068ML	114X7068 114X7202	W05 W09	MLZ030T4	E	27	5.049	6.219	7.588	9.166	10.958	12.964	15.184							
					32	4.750	5.836	7.115	8.595	10.282	12.180	14.286	7.186	3.224	2.23	3.58	70	39	
					38		5.388	6.552	7.909	9.467	11.229	13.194							
					43			6.089	7.339	8.784	10.429	12.273							
OP-MSXM080ML	114X7069 114X7203	W05 W09	MLZ038T5	G	27	5.698	6.996	8.510	10.247	12.208	14.394	16.797							
					32	5.357	6.559	7.967	9.591	11.433	13.494	15.767	8.059	4.134	1.95	3.16	70	39	
					38		6.046	7.321	8.803	10.496	12.400	14.513							
					43			6.791	8.148	9.710	11.480	13.453							
OP-MSXM080ML	114X7070 114X7204	W05 W09	MLZ038T4	E	27	5.713	7.016	8.534	10.277	12.245	14.438	16.850							
					32	5.372	6.579	7.993	9.623	11.473	13.541	15.824	8.084	3.938	2.05	3.32	70	39	
					38		6.067	7.349	8.838	10.539	12.453	14.576							
					43			6.820	8.185	9.757	11.537	13.522							
OP-MSXM099ML	114X7071 114X7205	W05 W09	MLZ045T4	E	27	6.872	8.617	10.598	12.828	15.315	18.060	21.062							
					32	6.242	7.899	9.779	11.894	14.254	16.862	19.717	9.892	5.025	1.97	3.23	70	39	
					38		7.005	8.759	10.733	12.939	15.380	18.057							
					43			7.876	9.732	11.807	14.107	16.634							
OP-MSXM108ML	114X7072 114X7206	W05 W09	MLZ048T4	E	27	7.187	9.007	11.068	13.382	15.956	18.789	21.877							
					32	6.517	8.243	10.196	12.389	14.829	17.517	20.450	10.322	5.568	1.85	3.07	70	39	
					38		7.290	9.110	11.154	13.430	15.942	18.687							
					43			8.169	10.086	12.224	14.588	17.175							

MBP

(1) G - Compressor 230V/1~/50Hz, fan 230V/1~/50Hz

E - Compressor 400V/3~/50Hz, fan 230V/1~/50Hz

(2) Nominal conditions (EN13215), Evaporating temperatures at dew point, Superheat 10K, Subcooling 0K

(3) Rated conditions (EN13215), Evaporating temperature (dew point) -10°C, Ambient air temperature +32°C, Return Gas Temperature 20°C, Subcooling 0K

SEPR, Seasonal Energy Performance Ratio

Q [kW], Cooling Capacity

P [kW], Power Input



For regular updates and detailed capacities, please refer to **Coolselector®2** software



Model	Code	Version	Compressor	Electrical code (1)	Tamb [°C]	Cooling capacity Q [kW] (2)							EcoDesign (3)				Sound power level dB(A)	Sound pressure level 10 m dB(A)
						Te [°C]							Q [kW]	P [kW]	COP	SEPR		
						-20°C	-15°C	-10°C	-5°C	0°C	5°C	10°C						
OP-MSYM009MY	114X7108 114X7133	W05 W09	MLY90RAB	G	27	0.814	1.007	1.217	1.443	1.684	1.941							
					32	0.737	0.914	1.108	1.319	1.546	1.790	0.957	0.480	1.99		63	32	
					38	0.644	0.802	0.978	1.171	1.381	1.609							
					43	0.568	0.709	0.869	1.047	1.244	1.459							
OP-MSYM012MP	114X7109 114X7134	W05 W09	MPT12RA	G	27	1.115	1.365	1.631	1.914	2.213	2.526							
					32	1.010	1.239	1.486	1.751	2.033	2.331	1.300	0.646	2.01		65	34	
					38	0.883	1.089	1.313	1.556	1.817	2.097							
					43	0.779	0.964	1.169	1.394	1.638	1.902							
OP-MSYM014MP	114X7110 114X7135	W05 W09	MPT14RA	G	27	1.130	1.396	1.685	1.999	2.335	2.693							
					32	1.031	1.276	1.546	1.841	2.160	2.502	1.340	0.795	1.69		60	29	
					38	0.913	1.133	1.380	1.652	1.950	2.274							
					43	0.814	1.014	1.241	1.494	1.775	2.084							
OP-MSYM018AJ	114X7111 114X7136	W05 W09	CAJ9510Z	G	27	1.184	1.477	1.818	2.209	2.651	3.146	3.694						
					32	1.078	1.351	1.666	2.024	2.429	2.881	3.382	1.746	0.903	1.93		64	33
					38			1.480	1.800	2.160	2.561	3.005						
					43			1.324	1.612	1.933	2.292	2.688						
OP-MSYM024AJ	114X7097 114X7194	W05 W09	CAJ9513Z	G	27	1.822	2.288	2.820	3.418	4.082	4.808							
					32	1.638	2.067	2.557	3.108	3.720	4.392	2.168	1.045	2.07		64	33	
					38	1.417	1.804	2.243	2.738	3.288	3.895							
					43	1.235	1.586	1.983	2.431	2.930	3.482							
OP-MSYM026AJ	114X7093 114X7192	W05 W09	TAJ4517Z	E	27	1.595	2.029	2.522	3.078	3.700	4.388	5.141						
					32	1.416	1.824	2.285	2.802	3.379	4.017	4.717	2.398	1.231	1.95		67	36
					38	1.199	1.575	1.996	2.465	2.987	3.565	4.200						
					43		1.368	1.754	2.182	2.657	3.184	3.765						
OP-MSYM026AJ	114X7083 114X7190	W05 W09	CAJ4517Z	G	27	1.626	2.039	2.517	3.061	3.674	4.356	5.104						
					32	1.459	1.844	2.285	2.788	3.353	3.982	4.675	2.399	1.172	2.05		67	36
					38	1.259	1.609	2.007	2.459	2.967	3.533	4.159						
					43		1.413	1.776	2.185	2.644	3.157	3.728						
OP-MSYM034AJ	114X7094 114X7193	W05 W09	TAJ4519Z	E	27	2.018	2.526	3.102	3.747	4.461	5.242	6.087						
					32	1.811	2.287	2.823	3.420	4.079	4.799	5.581	2.970	1.573	1.89		68	37
					38	1.559	1.997	2.484	3.023	3.616	4.264	4.969						
					43		1.753	2.199	2.689	3.227	3.815	4.456						

MBP

(1) **G** - Compressor 230V/1~/50Hz, fan 230V/1~/50Hz

E - Compressor 400V/3~/50Hz, fan 230V/1~/50Hz

(2) Nominal conditions (EN13215), Evaporating temperatures at dew point, Superheat 10K, Subcooling 0K

(3) Rated conditions (EN13215), Evaporating temperature (dew point) -10°C, Ambient air temperature +32°C, Return Gas Temperature 20°C, Subcooling 0K

SEPR, Seasonal Energy Performance Ratio

Q [kW], Cooling Capacity

P [kW], Power Input

This table continues on the next page



For regular updates and detailed capacities, please refer to **Coolselector®2** software



Model	Code	Version	Compressor	Electrical code (1)	Tamb [°C]	Cooling capacity Q [kW] (2)							EcoDesign (3)				Sound power level dB(A)	Sound pressure level 10 m dB(A)
						Te [°C]							Q [kW]	P [kW]	COP	SEPR		
						-20°C	-15°C	-10°C	-5°C	0°C	5°C	10°C						
OP-MSYM034AJ	114X7084 114X7191	W05 W09	CAJ4519Z	G	27	2.015	2.547	3.147	3.819	4.563	5.376	6.257	3.008	1.650	1.82		68	37
					32	1.802	2.300	2.859	3.480	4.166	4.916	5.729						
					38	1.544	2.000	2.506	3.065	3.680	4.353	5.085						
					43		1.749	2.209	2.715	3.270	3.878	4.541						
OP-MSXM034ML	114X7062 114X7196	W05 W09	MLZ015T4	E	27	2.502	3.081	3.734	4.463	5.272	6.158	7.121	3.580	1.693	2.11		69	38
					32	2.251	2.793	3.398	4.073	4.820	5.640	6.535						
					38	1.926	2.424	2.974	3.584	4.258	5.001	5.814						
					43	1.634	2.095	2.600	3.157	3.772	4.451	5.198						
OP-MSXM034ML	114X7061 114X7195	W05 W09	MLZ015T5	G	27	2.591	3.149	3.783	4.496	5.289	6.163	7.122	3.669	1.762	2.08		69	38
					32	2.373	2.890	3.478	4.142	4.882	5.703	6.608						
					38	2.101	2.569	3.102	3.705	4.383	5.139	5.981						
					43	1.867	2.293	2.780	3.334	3.959	4.662	5.452						
OP-MSXM044ML	114X7162 114X7212	W05 W09	MLZ019T4	E	27	3.235	3.925	4.696	5.556	6.511	7.563	8.716	4.556	2.203	2.07		69	38
					32	2.959	3.596	4.307	5.101	5.985	6.964	8.044						
					38	2.604	3.178	3.816	4.530	5.329	6.220	7.212						
					43	2.289	2.808	3.385	4.032	4.759	5.576	6.497						
OP-MSXM044ML	114X7161 114X7211	W05 W09	MLZ019T5	G	27	3.279	3.979	4.768	5.646	6.615	7.674	8.823	4.622	2.266	2.04		69	38
					32	2.995	3.641	4.368	5.180	6.078	7.064	8.141						
					38	2.634	3.213	3.865	4.595	5.407	6.305	7.294						
					43	2.316	2.837	3.425	4.086	4.825	5.649	6.566						
OP-MSXM046ML	114X7064 114X7198	W05 W09	MLZ021T4	E	27	3.404	4.124	4.928	5.824	6.815	7.905	9.099	4.778	2.350	2.03		69	38
					32	3.108	3.772	4.514	5.340	6.257	7.271	8.390						
					38	2.729	3.325	3.990	4.731	5.559	6.482	7.511						
					43	2.392	2.930	3.529	4.199	4.952	5.798	6.754						
OP-MSXM046ML	114X7063 114X7197	W05 W09	MLZ021T5	G	27	3.450	4.182	5.004	5.917	6.922	8.018	9.203	4.848	2.435	1.99		69	38
					32	3.147	3.821	4.578	5.421	6.352	7.371	8.481						
					38	2.762	3.365	4.043	4.800	5.640	6.567	7.586						
					43	2.422	2.964	3.574	4.258	5.022	5.872	6.817						

MBP

(1) **G** - Compressor 230V/1~/50Hz, fan 230V/1~/50Hz
E - Compressor 400V/3~/50Hz, fan 230V/1~/50Hz

(2) Nominal conditions (EN13215), Evaporating temperatures at dew point, Superheat 10K, Subcooling 0K

(3) Rated conditions (EN13215), Evaporating temperature (dew point) -10°C, Ambient air temperature +32°C, Return Gas Temperature 20°C, Subcooling 0K

SEPR, Seasonal Energy Performance Ratio

Q [kW], Cooling Capacity

P [kW], Power Input

This table continues on the next page



For regular updates and detailed capacities, please refer to **Coolselector®2** software



Model	Code	Version	Compressor	Electrical code (1)	Tamb [°C]	Cooling capacity Q [kW] (2)							EcoDesign (3)				Sound power level dB(A)	Sound pressure level 10 m dB(A)	
						Te [°C]							Q [kW]	P [kW]	COP	SEPR			
						-20°C	-15°C	-10°C	-5°C	0°C	5°C	10°C							
OP-MSXM057ML	114X7065 114X7199	W05 W09	MLZ026T5	G	27	3.973	4.806	5.741	6.777	7.912	9.142	10.467							
					32	3.619	4.382	5.238	6.189	7.234	8.373	9.609	5.571	3.291	1.69	2.90	69	38	
					38	3.179	3.855	4.615	5.460	6.396	7.424	8.553							
					43	2.795	3.397	4.073	4.830	5.673	6.609	7.650							
OP-MSXM057ML	114X7066 114X7200	W05 W09	MLZ026T4	E	27	3.977	4.812	5.749	6.788	7.926	9.162	10.493							
					32	3.625	4.390	5.249	6.203	7.252	8.397	9.639	5.580	3.164	1.76	3.01	69	38	
					38	3.189	3.868	4.630	5.480	6.420	7.455	8.590							
					43	2.809	3.414	4.094	4.855	5.703	6.645	7.693							
OP-MSXM068ML	114X7068 114X7202	W05 W09	MLZ030T4	E	27	5.271	6.443	7.784	9.300	10.998	12.880	14.945							
					32	4.832	5.926	7.177	8.594	10.185	11.954	13.907	7.566	3.279	2.31	3.73	70	39	
					38	4.284	5.279	6.418	7.711	9.170	10.803	12.618							
					43	3.809	4.717	5.758	6.945	8.291	9.806	11.506							
OP-MSXM068ML	114X7067 114X7201	W05 W09	MLZ030T5	G	27	5.273	6.446	7.786	9.302	10.997	12.876	14.938							
					32	4.832	5.927	7.178	8.594	10.182	11.949	13.898	7.568	3.353	2.26	3.66	70	39	
					38	4.283	5.278	6.417	7.709	9.166	10.795	12.606							
					43	3.806	4.714	5.755	6.941	8.284	9.797	11.492							
OP-MSXM080ML	114X7069 114X7203	W05 W09	MLZ038T5	G	27	6.066	7.469	9.041	10.768	12.634	14.626	16.730							
					32	5.504	6.806	8.273	9.892	11.650	13.536	15.538	8.735	4.027	2.17	3.33	70	39	
					38	4.826	5.992	7.319	8.797	10.415	12.164	14.039							
					43	4.268	5.307	6.506	7.857	9.349	10.976	12.738							
OP-MSXM080ML	114X7070 114X7204	W05 W09	MLZ038T4	E	27	6.238	7.571	9.084	10.780	12.662	14.727	16.973							
					32	5.708	6.948	8.353	9.930	11.682	13.612	15.720	8.822	3.856	2.29	3.71	70	39	
					38	5.026	6.146	7.415	8.842	10.434	12.197	14.137							
					43	4.423	5.435	6.584	7.881	9.335	10.956	12.755							
OP-MSXM099ML	114X7071 114X7205	W05 W09	MLZ045T4	E	27	7.288	8.825	10.553	12.472	14.580	16.875	19.357							
					32	6.643	8.055	9.648	11.422	13.379	15.521	17.853	10.216	5.001	2.04	3.37	70	39	
					38	5.823	7.082	8.508	10.106	11.880	13.836	15.989							
					43	5.100	6.228	7.513	8.960	10.580	12.381	14.387							
OP-MSXM108ML	114X7072 114X7206	W05 W09	MLZ048T4	E	27	7.856	9.491	11.303	13.308	15.517	17.940	20.584							
					32	7.147	8.653	10.321	12.168	14.209	16.459	18.932	10.943	5.478	2.00	3.31	70	39	
					38	6.248	7.596	9.087	10.742	12.581	14.623	16.892							
					43	5.457	6.671	8.012	9.504	11.172	13.041	15.144							

MBP

(1) G - Compressor 230V/1~/50Hz, fan 230V/1~/50Hz

E - Compressor 400V/3~/50Hz, fan 230V/1~/50Hz

(2) Nominal conditions (EN13215), Evaporating temperatures at dew point, Superheat 10K, Subcooling 0K

(3) Rated conditions (EN13215), Evaporating temperature (dew point) -10°C, Ambient air temperature +32°C, Return Gas Temperature 20°C, Subcooling 0K

SEPR, Seasonal Energy Performance Ratio

Q [kW], Cooling Capacity

P [kW], Power Input



For regular updates and detailed capacities, please refer to **Coolselector®2** software



Application	Code		Model	Compressor Model	Electrical Code (1)	Refrigerant (2)	Condenser Coil			Fan		Receiver	Dimensions					Weight		
							Type	Airflow (m ² /h)	Internal Volume (dm ³)	Number	Blade ø (mm)	Volume (L)	Housing	Height mm	Width mm	Depth mm	Suction line inch	Liquid Line inch	Gross Kg	Net Kg
	W05	W09																		
LBP	114X7106	114X7129	OP-LSQM014MP	MPT14LA	G	Q	A7	2,200	0.4	1	365	1.3	B1	530	910	364	3/8"	3/8"	64.4	50.9
LBP	114X7107	114X7130	OP-LSQM018MP	MPT16LA	G	Q	A7	2,200	0.4	1	365	1.3	B1	530	910	364	3/8"	3/8"	64.6	51.1
LBP	114X7085	114X7179	OP-LSQM026AJ	CAJ2446Z	G	Q	D7	3,300	0.6	1	450	3.4	B2	690	1087	464	1/2"	1/2"	76.7	61.5
LBP	114X7086	114X7180	OP-LSQM034AJ	CAJ2464Z	G	Q	D7	3,300	0.6	1	450	3.4	B2	690	1087	464	1/2"	1/2"	76.7	61.5
LBP	114X7087	114X7181	OP-LSQM048NT	NTZ048-5	G	Q	D7	3,300	0.6	1	450	3.4	B2	690	1087	464	5/8"	1/2"	77.0	62.0
LBP	114X7088	114X7182	OP-LSQM048NT	NTZ048-4	E	Q	D7	3,300	0.6	1	450	3.4	B2	690	1087	464	5/8"	1/2"	77.0	62.0
LBP	114X7095	114X7185	OP-LSQM074FH	FH2511Z	G	Q	D7	3,300	0.6	1	450	3.4	B2	690	1087	464	5/8"	1/2"	92.0	77.0
LBP	114X7096	114X7186	OP-LSQM074FH	TFH2511Z	E	Q	D7	3,300	0.6	1	450	3.4	B2	690	1087	464	5/8"	1/2"	88.0	73.0
LBP	114X7089	114X7183	OP-LSQM068NT	NTZ068-5	G	Q	D7	3,300	0.6	1	450	3.4	B2	690	1087	464	5/8"	1/2"	79.0	64.0
LBP	114X7090	114X7184	OP-LSQM068NT	NTZ068-4	E	Q	D7	3,300	0.6	1	450	3.4	B2	690	1087	464	5/8"	1/2"	80.0	65.0
LBP	114X7091	114X7187	OP-LSQM067LL	LLZ013T4	E	Q	G7	5,200	1.6	1	500	6.2	B3	825	1105	464	3/4"	1/2"	97.0	78.0
LBP	114X7092	114X7188	OP-LSQM084LL	LLZ015T4	E	Q	G7	5,200	1.6	1	500	6.2	B3	825	1105	464	3/4"	1/2"	97.0	78.0
LBP	114X7075	114X7189	OP-LSQM098LL	LLZ018T4	E	Q	G7	5,200	1.6	1	500	6.2	B3	825	1105	464	3/4"	1/2"	97.0	78.0
MBP	114X7099	114X7207	OP-MSGM012SC	SC12G	G	G	A7	2,200	0.4	1	365	1.3	B1	530	910	364	3/8"	3/8"	65.5	52.0
MBP	114X7100	114X7208	OP-MSGM015SC	SC15G	G	G	A7	2,200	0.4	1	365	1.3	B1	530	910	364	3/8"	3/8"	65.5	52.0
MBP	114X7101	114X7131	OP-MSGM018SC	SC18G	G	G	A7	2,200	0.4	1	365	1.3	B1	530	910	364	3/8"	3/8"	66.5	53.0
MBP	114X7108	114X7133	OP-MSYM009MY	MLY90RAB	G	Y	A7	2,200	0.4	1	365	1.3	B1	530	910	364	3/8"	3/8"	63.9	50.4
MBP	114X7104	114X7210	OP-MSGM033AJ	CAJ4511Y	G	G	D7	3,300	0.6	1	450	3.4	B2	690	1087	464	1/2"	1/2"	79.0	64.0
MBP	114X7111	114X7136	OP-MSYM018AJ	CAJ9510Z	G	Y	D7	3300	0.6	1	450	3.4	B2	690	1087	464	1/2"	1/2"	77.0	62.0
MBP	114X7102	114X7132	OP-MSGM021SC	SC21G	G	G	A7	2,200	0.4	1	365	1.3	B1	530	910	364	3/8"	3/8"	66.5	53.0
MBP	114X7109	114X7134	OP-MSYM012MP	MPT12RA	G	Y	A7	2,200	0.4	1	365	1.3	B1	530	910	364	3/8"	3/8"	64.3	50.8
MBP	114X7103	114X7209	OP-MSGM026AJ	CAJ4492Y	G	G	D7	3,300	0.6	1	450	3.4	B2	690	1087	464	1/2"	1/2"	78.0	62.5
MBP	114X7110	114X7135	OP-MSYM014MP	MPT14RA	G	Y	A7	2,200	0.4	1	365	1.3	B1	530	910	364	3/8"	3/8"	65.0	51.5
MBP	114X7097	114X7194	OP-MSYM024AJ	CAJ9513Z	G	Y	D7	3,300	0.6	1	450	3.4	B2	690	1087	464	1/2"	1/2"	78.0	63.0
MBP	114X7093	114X7192	OP-MSYM026AJ	TAJ4517Z	E	Y	D7	3,300	0.6	1	450	3.4	B2	690	1087	464	1/2"	1/2"	74.4	59.2
MBP	114X7083	114X7190	OP-MSYM026AJ	CAJ4517Z	G	Y	D7	3,300	0.6	1	450	3.4	B2	690	1087	464	1/2"	1/2"	77.7	62.5
MBP	114X7094	114X7193	OP-MSYM034AJ	TAJ4519Z	E	Y	D7	3,300	0.6	1	450	3.4	B2	690	1087	464	1/2"	1/2"	76.7	61.5
MBP	114X7084	114X7191	OP-MSYM034AJ	CAJ4519Z	G	Y	D7	3,300	0.6	1	450	3.4	B2	690	1087	464	1/2"	1/2"	77.7	62.5
MBP	114X7062	114X7196	OP-MSXM034ML	MLZ015T4	E	X	D7	3,300	0.6	1	450	3.4	B2	690	1087	464	3/4"	1/2"	85.0	70.0
MBP	114X7061	114X7195	OP-MSXM034ML	MLZ015T5	G	X	D7	3,300	0.6	1	450	3.4	B2	690	1087	464	3/4"	1/2"	85.0	70.0
MBP	114X7162	114X7212	OP-MSXM044ML	MLZ019T4	E	X	D7	3,300	0.6	1	450	3.4	B2	690	1087	464	3/4"	1/2"	85.0	70.0
MBP	114X7161	114X7211	OP-MSXM044ML	MLZ019T5	G	X	D7	3,300	0.6	1	450	3.4	B2	690	1087	464	3/4"	1/2"	85.0	70.0
MBP	114X7064	114X7198	OP-MSXM046ML	MLZ021T4	E	X	D7	3,300	0.6	1	450	3.4	B2	690	1087	464	3/4"	1/2"	85.0	70.0
MBP	114X7063	114X7197	OP-MSXM046ML	MLZ021T5	G	X	D7	3,300	0.6	1	450	3.4	B2	690	1087	464	3/4"	1/2"	85.0	70.0
MBP	114X7065	114X7199	OP-MSXM057ML	MLZ026T5	G	X	D7	3,300	0.6	1	450	3.4	B2	690	1087	464	3/4"	1/2"	85.0	70.0
MBP	114X7066	114X7200	OP-MSXM057ML	MLZ026T4	E	X	D7	3,300	0.6	1	450	3.4	B2	690	1087	464	3/4"	1/2"	85.0	70.0
MBP	114X7068	114X7202	OP-MSXM068ML	MLZ030T4	E	X	G7	5,200	1.6	1	500	6.2	B3	825	1105	464	7/8"	1/2"	95.0	76.0
MBP	114X7067	114X7201	OP-MSXM068ML	MLZ030T5	G	X	G7	5,200	1.6	1	500	6.2	B3	825	1105	464	7/8"	1/2"	95.0	76.0
MBP	114X7069	114X7203	OP-MSXM080ML	MLZ038T5	G	X	G7	5,200	1.6	1	500	6.2	B3	825	1105	464	7/8"	1/2"	96.0	77.0
MBP	114X7070	114X7204	OP-MSXM080ML	MLZ038T4	E	X	G7	5,200	1.6	1	500	6.2	B3	825	1105	464	7/8"	1/2"	96.0	77.0
MBP	114X7071	114X7205	OP-MSXM099ML	MLZ045T4	E	X	G7	5,200	1.6	1	500	6.2	B3	825	1105	464	7/8"	1/2"	98.0	79.0
MBP	114X7072	114X7206	OP-MSXM108ML	MLZ048T4	E	X	G7	5,200	1.6	1	500	6.2	B3	825	1105	464	7/8"	1/2"	98.0	79.0

(1) G - Compressor 230V/1~/50Hz, fan 230V/1~/50Hz

E - Compressor 400V/3~/50Hz, fan 230V/1~/50Hz

(2) G - R134a

X - R134a, R404A/R507, R407A, R407F, R449A, R448A

Y - R404A/R507, R449A

Q - R404A/R507, R452A

H - R404A/R507

Designation		LSQM026AJ	LSQM034AJ	LSQM048NT	LSQM048NT	LSQM068NT	LSQM068NT	LSQM067LL
Code Number	W05	114X7085	114X7086	114X7087	114X7088	114X7089	114X7090	114X7091
	W09	114X7179	114X7180	114X7181	114X7182	114X7183	114X7184	114X7187
Compressor Description		CAJ2446Z	CAJ2464Z	NTZ048-5	NTZ048-4	NTZ068-5	NTZ068-4	LLZ013T4
Oil		RL32HA/HT	RL32HA/HT	175PZ-POE	175PZ-POE	175PZ-POE	175PZ-POE	215PZ-POE46
Housing		B2	B2	B2	B2	B2	B2	B3
Spare Parts								
Compressor single pack		118U3992	118U3990	120F0228	120F0226	120F0232	120F0230	121L9535
Condenser		118U3493	118U3493	118U3493	118U3493	118U3493	118U3493	118U3494
Dual pressure switch		060-539766	060-539766	060-539766	060-539766	060-539766	060-539766	060-539766
Fan assembly								118U3829
Fan blade		118U3481	118U3481	118U3481	118U3481	118U3481	118U3481	
Fan capacitor		118U3297	118U3297	118U3297	118U3297	118U3297	118U3297	
Fan cowl/grill		118U3484	118U3484	118U3484	118U3484	118U3484	118U3484	118U3485
Fan motor		118U3823	118U3823	118U3823	118U3823	118U3823	118U3823	118U3829
Filter drier		023Z5041	023Z5041	023Z5041	023Z5041	023Z5041	023Z5041	023Z5044
Liquid valve		118U3761	118U3761	118U3761	118U3761	118U3761	118U3761	118U3761
Receiver		118U3475	118U3475	118U3475	118U3475	118U3475	118U3475	118U3476
Sight glass		014L0173	014L0173	014L0173	014L0173	014L0173	014L0173	014L0173
Suction valve		118U3761	118U3761	118U3764	118U3764	118U3764	118U3764	118U3762
Electrical Spare Parts								
Crankcase heater		120Z0057	120Z0057	120Z0459	120Z0459	120Z0459	120Z0459	120Z5040
Contact kit		118U3893	118U3894	118U3894	118U3893	118U3895	118U3893	118U3896
Main switch kit	W05	118U3976	118U3976	118U3976	118U3872	118U3869	118U3873	118U3873
	W09	118U3851	118U3852	118U3852	118U3853	118U3854	118U3851	118U3852
Overload relay		118U3876	118U3877	118U3877	118U3978	118U3879	118U3876	118U3877
Run capacitor				8173041		8173041		
Starting capacitor		118U5191	118U5192	8173001		8173001		
Starting relay				8173022		8173022		
Sequence phase relay								118U3882
Isolator switch assembly	W09	118U5117	118U5117	118U5117	118U5117	118U5117	118U5117	118U5120
Premounted FSC	W09	061H3144	061H3144	061H3144	061H3144	061H3144	061H3144	061H3144
Electrical Characteristics								
Wiring Diagram	W05	WD2	WD2	WD2	WD7	WD2	WD7	WD5
	W09	WD12	WD12	WD12	WD11	WD12	WD11	WD13
LRA Compressor [A]		29	40	37	16	53	25	62
MCC Compressor [A]		7.9	10	11	4.8	17	8.4	12
Max cont.power [kW]		1.4	1.87	2.19	2.28	3.62	3.57	4.59
MCC Fan [A]		0.47	0.47	0.47	0.47	0.47	0.47	0.97
Fan Power [W]		1x68	1x68	1x68	1x68	1x68	1x68	1x130
Min Fuse rating gL/gG (A)		10	16	16	10	25	16	16
Accessories (Not Premounted)								
Acoustic hood				120Z0575	120Z0575	120Z0575	120Z0575	120Z5052
FSC Male connection		061H3142	061H3142	061H3142	061H3142	061H3142	061H3142	061H3142
FSC Female connection		061H3140	061H3140	061H3140	061H3140	061H3140	061H3140	061H3140
Sheet Metal								
Top panel		118U5146	118U5146	118U5146	118U5146	118U5146	118U5146	118U5151
Fan panel		118U5147	118U5147	118U5147	118U5147	118U5147	118U5147	118U5152
Back panel		118U5148	118U5148	118U5148	118U5148	118U5148	118U5148	118U5153
Left side panel		118U5168	118U5168	118U5168	118U5168	118U5168	118U5168	118U5169
Service panel	W05	118U5149	118U5149	118U5149	118U5149	118U5149	118U5149	118U5154
	W09	118U5157	118U5157	118U5157	118U5157	118U5157	118U5157	118U5158

MCC - Max Continuous Current
LRA - Locked Rotor Amps
FSC - Fan Speed Controller

Designation		LSQM084LL	LSQM098LL	LSQM074FH	LSQM074FH	LSQM014MP	LSQM018MP
Code Number	W05	114X7092	114X7075	114X7095	114X7096	114X7106	114X7107
	W09	114X7188	114X7189	114X7185	114X7186	114X7129	114X7130
Compressor Description		LLZ015T4	LLZ018T4	FH2511Z	TFH2511Z	MPT14LA	MPT16LA
Oil		215PZ-POE46	215PZ-POE46	RL32HA/HT	RL32HA/HT	POE32	POE32
Housing		B3	B3	B2	B2	B1	B1
Spare Parts							
Compressor single pack		121L9537	121L9539	118U3914	118U3915	123B2126	123B2127
Condenser		118U3494	118U3494	118U3493	118U3493	118U3492	118U3492
Dual pressure switch		060-539766	060-539766	060-539766	060-539766	060-539766	060-539766
Fan assembly		118U3829	118U3829				
Fan blade				118U3481	118U3481	118U3480	118U3480
Fan capacitor				118U3297	118U3297	118U3296	118U3296
Fan cowl/grill		118U3485	118U3485	118U3484	118U3484	118U3483	118U3483
Fan motor		118U3829	118U3829	118U3823	118U3823	118U3477	118U3477
Filter drier		023Z5044	023Z5044	023Z5041	023Z5041	023Z5040	023Z5040
Liquid valve		118U3761	118U3761	118U3761	118U3761	118U3414	118U3414
Receiver		118U3476	118U3476	118U3475	118U3475	118U3474	118U3474
Sight glass		014L0173	014L0173	014L0173	014L0173	014L0182	014L0182
Suction valve		118U3762	118U3762	118U3764	118U3764	118U3414	118U3414
Electrical Spare Parts							
Crankcase heater		120Z5040	120Z5040	120Z0459	120Z0459	192H2096	192H2096
Contactor kit		118U3896	118U3896	118U3895	118U3893	118U3894	118U3894
Main switch kit	W05	118U3874	118U3874	118U3870	118U3872	118U3975	118U3975
	W09	118U3852	118U3852	118U3855	118U3851	118U3853	118U3853
Overload relay		118U3878	118U3878	118U3880	118U3876	118U3978	118U3978
Run capacitor						123B9222	123B9219
Starting capacitor				118U5199		123B9312	123B9316
Starting relay						123B9151	123B9151
Sequence phase relay		118U3882	118U3882				
Isolator switch assembly W09		118U5120	118U5120	118U5117	118U5117	118U5117	118U5117
Premounted FSC W09		061H3144	061H3144	061H3144	061H3144	061H3144	061H3144
Electrical Characteristics							
Wiring Diagram	W05	WD5	WD5	WD2	WD7	WD8	WD8
	W09	WD13	WD13	WD12	WD11	WD9	WD9
LRA Compressor [A]		88.5	90	81	28	16	19
MCC Compressor [A]		15	14.4	24	7.2	5	4
Max cont.power [kW]		5.49	6.2	3.45	3.34	0.78	0.89
MCC Fan [A]		0.97	0.97	0.47	0.47	0.32	0.32
Fan Power [W]		1x130	1x130	1x68	1x68	1x25	1x25
Min Fuse rating gL/gG (A)		20	20	32	10	10	10
Accessories (Not Premounted)							
Acoustic hood		120Z5052	120Z5052				
FSC Male connection		061H3142	061H3142	061H3142	061H3142	061H3142	061H3142
FSC Female connection		061H3140	061H3140	061H3140	061H3140	061H3140	061H3140
Sheet Metal							
Top panel		118U5151	118U5151	118U5146	118U5146	118U5141	118U5141
Fan panel		118U5152	118U5152	118U5147	118U5147	118U5142	118U5142
Back panel		118U5153	118U5153	118U5148	118U5148	118U5143	118U5143
Left side panel		118U5169	118U5169	118U5168	118U5168	118U5167	118U5167
Service panel	W05	118U5154	118U5154	118U5149	118U5149	118U5144	118U5144
	W09	118U5158	118U5158	118U5157	118U5157	118U5156	118U5156

MCC - Max Continuous Current
LRA - Locked Rotor Amps
FSC - Fan Speed Controller

Designation	MSXM034ML	MSXM034ML	MSXM044ML	MSXM044ML	MSXM046ML	MSXM046ML	MSXM057ML	MSXM057ML	MSXM068ML	
Code Number	W05	114X7061	114X7062	114X7161	114X7162	114X7063	114X7064	114X7065	114X7066	114X7067
	W09	114X7195	114X7196	114X7211	114X7212	114X7197	114X7198	114X7199	114X7200	114X7201
Compressor Description		MLZ015T5	MLZ015T4	MLZ019T5	MLZ019T4	MLZ021T5	MLZ021T4	MLZ026T5	MLZ026T4	MLZ030T5
Oil		215PZ-POE46	215PZ-POE46	215PZ-POE46	215PZ-POE46	215PZ-POE46	215PZ-POE46	215PZ-POE46	215PZ-POE46	215PZ-POE46
Housing		B2	B2	B2	B2	B2	B2	B2	B2	B3
Spare Parts										
Compressor single pack		121L8631	121L8629	121U8026	121U8004	121L8635	121L8633	121L8639	121L8637	121L8643
Condenser		118U3493	118U3493	118U3493	118U3493	118U3493	118U3493	118U3493	118U3493	118U3494
Dual pressure switch		060-539766	060-539766	060-539766	060-539766	060-539766	060-539766	060-539766	060-539766	060-539766
Fan assembly										118U3829
Fan blade		118U3481	118U3481	118U3481	118U3481	118U3481	118U3481	118U3481	118U3481	
Fan capacitor		118U3297	118U3297	118U3297	118U3297	118U3297	118U3297	118U3297	118U3297	
Fan cowl/grill		118U3484	118U3484	118U3484	118U3484	118U3484	118U3484	118U3484	118U3484	118U3485
Fan motor		118U3823	118U3823	118U3823	118U3823	118U3823	118U3823	118U3823	118U3823	118U3829
Filter drier		023Z5041	023Z5041	023Z5041	023Z5041	023Z5041	023Z5041	023Z5041	023Z5041	023Z5044
Liquid valve		118U3761	118U3761	118U3761	118U3761	118U3761	118U3761	118U3761	118U3761	118U3761
Receiver		118U3475	118U3475	118U3475	118U3475	118U3475	118U3475	118U3475	118U3475	118U3476
Sight glass		014L0173	014L0173	014L0173	014L0173	014L0173	014L0173	014L0173	014L0173	014L0173
Suction valve		118U3762	118U3762	118U3762	118U3762	118U3762	118U3762	118U3762	118U3762	118U3763
Electrical Spare Parts										
Crankcase heater		120Z5040	120Z5040	120Z5040	120Z5040	120Z5040	120Z5040	120Z5040	120Z5040	120Z5040
Contactorkit		118U3895	118U3893	118U3895	118U3867	118U3895	118U3867	118U3895	118U3867	118U3868
Main switch kit	W05	118U3869	118U3872	118U3870	118U3873	118U3870	118U3873	118U3870	118U3873	118U3871
	W09	118U3854	118U3851	118U3856	118U3851	118U3856	118U3851	118U3856	118U3852	118U3857
Overload relay		118U3879	118U3875	118U3880	118U3876	118U3880	118U3876	118U3880	118U3877	118U3880
Run capacitor		8173231		120Z0051		120Z0051		120Z0051		8173233
Starting capacitor		120Z0399		120Z0399		120Z0399		120Z0399		120Z0400
Starting relay		120Z0393		120Z0393		120Z0393		120Z0393		120Z0394
Sequence phase relay		118U3882	118U3882	118U3882	118U3882	118U3882	118U3882	118U3882	118U3882	118U3882
Isolator switch assembly	W09	118U5117	118U5117	118U5117	118U5117	118U5117	118U5117	118U5117	118U5117	118U5119
Premounted FSC	W09	061H3144	061H3144	061H3144	061H3144	061H3144	061H3144	061H3144	061H3144	061H3144
Electrical Characteristics										
Wiring Diagram	W05	WD3	WD6	WD3	WD6	WD3	WD6	WD3	WD6	WD4
	W09	WD12	WD11	WD12	WD11	WD12	WD11	WD12	WD11	WD14
LRA Compressor [A]		60	30	97	45	97	45	97	45	127
MCC Compressor [A]		19	7	23	9.5	25	9.5	26	10	32
Max cont.power [kW]		2.53	2.73	3.38	3.33	3.38	3.33	4.42	4.14	4.89
MCC Fan [A]		0.47	0.47	0.47	0.47	0.47	0.47	0.47	0.47	0.97
Fan Power [W]		1x68	1x68	1x68	1x68	1x68	1x68	1x68	1x68	1x130
Min Fuse rating gL/gG (A)		25	10	32	16	32	16	32	16	40
Accessories (Not Premounted)										
Acoustic hood		120Z5043	120Z5043	120Z5043	120Z5043	120Z5043	120Z5043	120Z5043	120Z5043	120Z5044
FSC Male connection		061H3142	061H3142	061H3142	061H3142	061H3142	061H3142	061H3142	061H3142	061H3142
FSC Female connection		061H3140	061H3140	061H3140	061H3140	061H3140	061H3140	061H3140	061H3140	061H3140
Sheet Metal										
Top panel		118U5146	118U5146	118U5146	118U5146	118U5146	118U5146	118U5146	118U5146	118U5151
Fan panel		118U5147	118U5147	118U5147	118U5147	118U5147	118U5147	118U5147	118U5147	118U5152
Back panel		118U5148	118U5148	118U5148	118U5148	118U5148	118U5148	118U5148	118U5148	118U5153
Left side panel		118U5168	118U5168	118U5168	118U5168	118U5168	118U5168	118U5168	118U5168	118U5169
Service panel	W05	118U5149	118U5149	118U5149	118U5149	118U5149	118U5149	118U5149	118U5149	118U5154
	W09	118U5157	118U5157	118U5157	118U5157	118U5157	118U5157	118U5157	118U5157	118U5158

MCC - Max Continuous Current
 LRA - Locked Rotor Amps
 FSC - Fan Speed Controller

Designation	MSXM068ML	MSXM080ML	MSXM080ML	MSXM099ML	MSXM108ML	MSYM026AJ	MSYM034AJ	MSYM026AJ	MSYM034AJ	MSYM024AJ	
Code Number	W05	114X7068	114X7069	114X7070	114X7071	114X7072	114X7083	114X7084	114X7093	114X7094	114X7097
	W09	114X7202	114X7203	114X7204	114X7205	114X7206	114X7190	114X7191	114X7192	114X7193	114X7194
Compressor Description	MLZ030T4	MLZ038T5	MLZ038T4	MLZ045T4	MLZ048T4	CAJ4517Z	CAJ4519Z	TAJ4517Z	TAJ4519Z	CAJ9513Z	
Oil	215PZ-POE46	215PZ-POE46	215PZ-POE46	215PZ-POE46	215PZ-POE46	RL32HA/HT	RL32HA/HT	RL32HA/HT	RL32HA/HT	RL32HA/HT	
Housing	B3	B3	B3	B3	B3	B2	B2	B2	B2	B2	
Spare Parts											
Compressor single pack	121L8641	121L8647	121L8645	121L8649	121L8651	118U3993	118U3994	118U3991	118U3989	118U3995	
Condenser	118U3494	118U3494	118U3494	118U3494	118U3494	118U3493	118U3493	118U3493	118U3493	118U3493	
Dual pressure switch	060-539766	060-539766	060-539766	060-539766	060-539766	060-539766	060-539766	060-539766	060-539766	060-539766	
Fan assembly	118U3829	118U3829	118U3829	118U3829	118U3829						
Fan blade						118U3481	118U3481	118U3481	118U3481	118U3481	
Fan capacitor						118U3297	118U3297	118U3297	118U3297	118U3297	
Fan cowl/grill	118U3485	118U3485	118U3485	118U3485	118U3485	118U3484	118U3484	118U3484	118U3484	118U3484	
Fan motor	118U3829	118U3829	118U3829	118U3829	118U3829	118U3823	118U3823	118U3823	118U3823	118U3823	
Filter drier	023Z5044	023Z5044	023Z5044	023Z5044	023Z5044	023Z5041	023Z5041	023Z5041	023Z5041	023Z5041	
Liquid valve	118U3761	118U3761	118U3761	118U3761	118U3761	118U3761	118U3761	118U3761	118U3761	118U3761	
Receiver	118U3476	118U3476	118U3476	118U3476	118U3476	118U3475	118U3475	118U3475	118U3475	118U3475	
Sight glass	014L0173	014L0173	014L0173	014L0173	014L0173	014L0173	014L0173	014L0173	014L0173	014L0173	
Suction valve	118U3763	118U3763	118U3763	118U3763	118U3763	118U3761	118U3761	118U3761	118U3761	118U3761	
Electrical Spare Parts											
Crankcase heater	120Z5040	120Z5040	120Z5040	120Z5040	120Z5040	192H2096	192H2096	192H2096	192H2096	120Z0057	
Contactorkit	118U3896	118U3868	118U3896	118U3896	118U3896	118U3896	118U3896	118U3893	118U3893	118U3894	
Main switch kit	W05	118U3873	118U3871	118U3874	118U3874	118U3874	118U3976	118U3976	118U3872	118U3872	118U3976
	W09	118U3852	118U3857	118U3852	118U3852	118U3854	118U3852	118U3852	118U3853	118U3853	118U3852
Overload relay	118U3877	118U3881	118U3878	118U3878	118U3878	118U3877	118U3878	118U3978	118U3978	118U3877	
Run capacitor		8173234									
Starting capacitor		8173001				118U5195	118U5196			118U5198	
Starting relay		120Z0395									
Sequence phase relay	118U3882	118U3882	118U3882	118U3882	118U3882						
Isolator switch assembly	W09	118U5120	118U5119	118U5120	118U5120	118U5120	118U5117	118U5117	118U5117	118U5117	
Premounted FSC	W09	061H3144	061H3144	061H3144	061H3144	061H3144	061H3144	061H3144	061H3144	061H3144	
Electrical Characteristics											
Wiring Diagram	W05	WD5	WD4	WD5	WD5	WD5	WD2	WD2	WD7	WD7	WD2
	W09	WD13	WD14	WD13	WD13	WD14	WD12	WD12	WD11	WD11	WD12
LRA Compressor [A]		60	130	70	82	87	38.5	45	18	22	33.5
MCC Compressor [A]		13	38	15	15	16	12.7	15.2	4	4.8	10.2
Max cont.power [kW]		4.88	5.77	5.78	7.01	7.55	2	2.74	2.09	2.7	1.75
MCC Fan [A]		0.97	0.97	0.97	0.97	0.97	0.47	0.47	0.47	0.47	0.47
Fan Power [W]		1x130	1x130	1x130	1x130	1x130	1x68	1x68	1x68	1x68	1x68
Min Fuse rating gL/gG (A)		16	40	20	20	20	16	16	10	10	16
Accessories (Not Premounted)											
Acoustic hood		120Z5044	120Z5044	120Z5044	120Z5044	120Z5044					
FSC Male connection		061H3142	061H3142	061H3142	061H3142	061H3142	061H3142	061H3142	061H3142	061H3142	
FSC Female connection		061H3140	061H3140	061H3140	061H3140	061H3140	061H3140	061H3140	061H3140	061H3140	
Sheet Metal											
Top panel		118U5151	118U5151	118U5151	118U5151	118U5151	118U5146	118U5146	118U5146	118U5146	118U5146
Fan panel		118U5152	118U5152	118U5152	118U5152	118U5152	118U5147	118U5147	118U5147	118U5147	118U5147
Back panel		118U5153	118U5153	118U5153	118U5153	118U5153	118U5148	118U5148	118U5148	118U5148	118U5148
Left side panel		118U5169	118U5169	118U5169	118U5169	118U5169	118U5168	118U5168	118U5168	118U5168	118U5168
Service panel	W05	118U5154	118U5154	118U5154	118U5154	118U5154	118U5149	118U5149	118U5149	118U5149	118U5149
	W09	118U5158	118U5158	118U5158	118U5158	118U5158	118U5157	118U5157	118U5157	118U5157	118U5157

MCC - Max Continuous Current
LRA - Locked Rotor Amps
FSC - Fan Speed Controller

Designation		MSGM012SC	MSGM015SC	MSGM018SC	MSGM021SC	MSGM026AJ	MSGM033AJ	MSYM009MY	MSYM012MP	MSYM014MP	MSYM018AJ
Code Number	W05	114X7099	114X7100	114X7101	114X7102	114X7103	114X7104	114X7108	114X7109	114X7110	114X7111
	W09	114X7207	114X7208	114X7131	114X7132	114X7209	114X7210	114X7133	114X7134	114X7135	114X7136
Compressor Description		SC12G	SC15G	SC18G	SC21G	CAJ4492Y	CAJ4511Y	MLY90RAb	MPT12RA	MPT14RA	CAJ9510Z
Oil		POE	POE	POE	POE	RL32HA/HT	RL32HA/HT	POE32	POE32	POE32	RL32HA/HT
Housing		B1	B1	B1	B1	B2	B2	B1	B1	B1	B2
Spare Parts											
Compressor single pack		195B0050	195B0053	195B0059	195B0636	118U3997	118U3996	123B2514	123B2518	123B2704	118U3988
Condenser		118U3492	118U3492	118U3492	118U3492	118U3493	118U3493	118U3492	118U3492	118U3492	118U3493
Dual pressure switch		060-539766	060-539766	060-539766	060-539766	060-539766	060-539766	060-539766	060-539766	060-539766	060-539766
Fan assembly											
Fan blade		118U3480	118U3480	118U3480	118U3480	118U3481	118U3481	118U3480	118U3480	118U3480	118U3481
Fan capacitor		118U3296	118U3296	118U3296	118U3296	118U3297	118U3297	118U3296	118U3296	118U3296	118U3297
Fan cowl/grill		118U3483	118U3483	118U3483	118U3483	118U3484	118U3484	118U3483	118U3483	118U3483	118U3484
Fan motor		118U3477	118U3477	118U3477	118U3477	118U3823	118U3823	118U3477	118U3477	118U3477	118U3823
Filter drier		023Z5040	023Z5040	023Z5040	023Z5040	023Z5041	023Z5041	023Z5040	023Z5040	023Z5040	023Z5041
Liquid valve		118U3414	118U3414	118U3414	118U3414	118U3761	118U3761	118U3414	118U3414	118U3414	118U3414
Receiver		118U3474	118U3474	118U3474	118U3474	118U3475	118U3475	118U3474	118U3474	118U3474	118U3475
Sight glass		014L0182	014L0182	014L0182	014L0182	014L0173	014L0173	014L0182	014L0182	014L0182	014L0173
Suction valve		118U3414	118U3414	118U3414	118U3414	118U3764	118U3764	118U3414	118U3414	118U3414	118U3414
Electrical Spare Parts											
Crankcase heater		192H2096	192H2096	192H2096	192H2096	120Z0459	120Z0459	192H2096	192H2096	192H2096	192H2096
Contactorkit		118U3893	118U3893	118U3893	118U3893	118U3894	118U3894	118U3894	118U3894	118U3894	118U3894
Main switch kit	W05							118U3980	118U3975	118U3975	118U3975
	W09	118U5162	118U3853	118U3853	118U3853	118U3851	118U3851	118U3853	118U3853	118U3851	118U3851
Overload relay		118U3875	118U3875	118U3875	118U3875	118U3876	118U3876	118U3978	118U3876	118U3876	118U3876
Run capacitor								123B9222	123B9215	123B9226	
Starting capacitor		117U5017	117U5017	117U5017	117-7029	118U5193	118U5194	123B9315	123B9315	123B9315	118U5197
Starting relay		117U6003	117U6005	117U6019				123B9133	123B9151	123B9139	
Sequence phase relay											
Isolator switch assembly	W09	118U5117	118U5117	118U5117	118U5117	118U5117	118U5117	118U5117	118U5117	118U5117	118U5117
Premounted FSC	W09	061H3144	061H3144	061H3144	061H3144	061H3144	061H3144	061H3144	061H3144	061H3144	061H3144
Electrical Characteristics											
Wiring Diagram	W05	WD1	WD1	WD1	WD2	WD1	WD1	WD8	WD8	WD8	WD8
	W09	WD10	WD10	WD9	WD9	WD10	WD12	WD9	WD9	WD9	WD9
LRA Compressor [A]		12.4	14.8	18.6	21.8	28	30	17	18.5	21	30
MCC Compressor [A]		3.17	3.88	4.34	4.6	8.9	8.6	5.3	5.3	6.5	8
Max cont.power [kW]		0.812	0.819	0.945	0.936	1.43	1.69	0.62	0.84	1.03	1.3
MCC Fan [A]		0.32	0.32	0.32	0.32	0.47	0.47	0.32	0.32	0.32	0.47
Fan Power [W]		1x25	1x25	1x25	1x25	1x68	1x68	1x25	1x25	1x25	1x68
Min Fuse rating gL/gG (A)		10	10	10	10	16	16	10	10	10	10
Accessories (Not Premounted)											
Acoustic hood											
FSC Male connection		061H3142	061H3142	061H3142	061H3142	061H3142	061H3142	061H3142	061H3142	061H3142	061H3142
FSC Female connection		061H3140	061H3140	061H3140	061H3140	061H3140	061H3140	061H3140	061H3140	061H3140	061H3140
Sheet Metal											
Top panel		118U5141	118U5141	118U5141	118U5141	118U5146	118U5146	118U5141	118U5141	118U5141	118U5146
Fan panel		118U5142	118U5142	118U5142	118U5142	118U5147	118U5147	118U5142	118U5142	118U5142	118U5147
Back panel		118U5143	118U5143	118U5143	118U5143	118U5148	118U5148	118U5143	118U5143	118U5143	118U5148
Left side panel		118U5167	118U5167	118U5167	118U5167	118U5168	118U5168	118U5167	118U5167	118U5167	118U5168
Service panel	W05	118U5144	118U5144	118U5144	118U5144	118U5149	118U5149	118U5144	118U5144	118U5144	118U5149
	W09	118U5156	118U5156	118U5156	118U5156	118U5157	118U5157	118U5156	118U5156	118U5156	118U5157

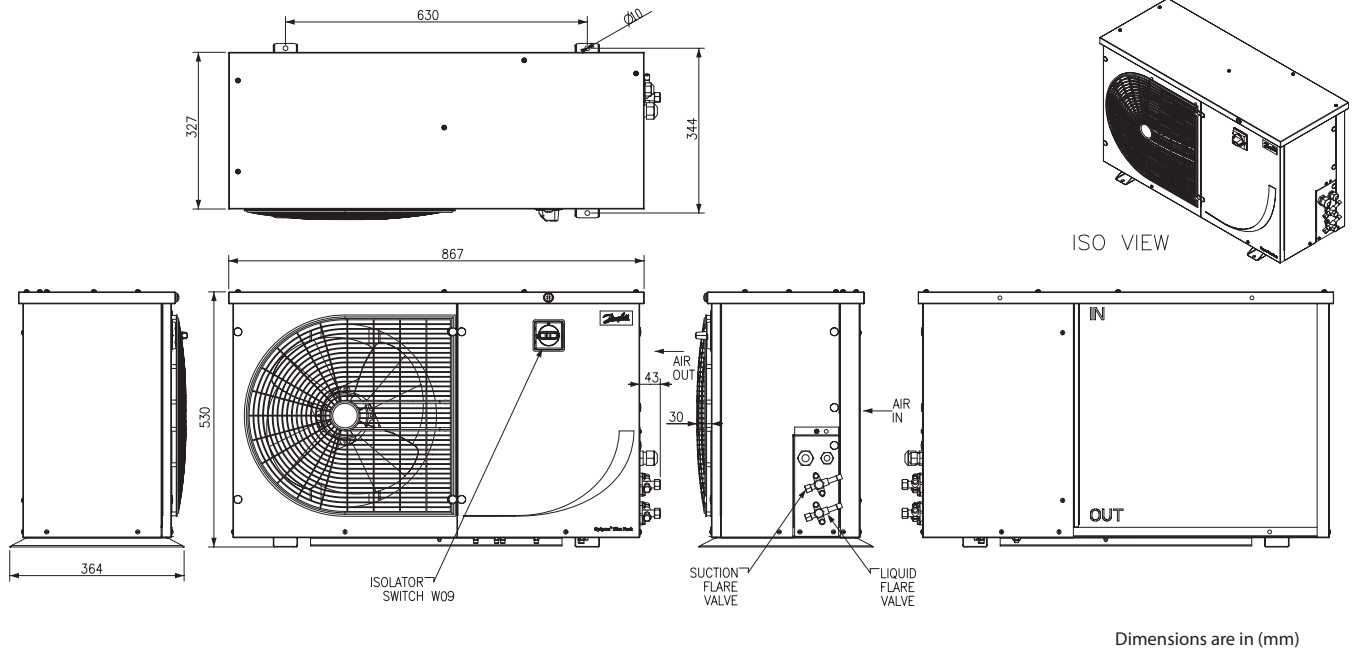
MCC - Max Continuous Current
LRA - Locked Rotor Amps
FSC - Fan Speed Controller

Component type	Component code	Component description	Additional informations
Acoustic Hood	120Z0575	ACOUSTIC HOOD COMP 1CYL	
Acoustic Hood	120Z5043	ACCOUSTIC HOOD - SMALL FRAME	
Acoustic Hood	120Z5044	Acoustic hood for Scroll MLZ compressor	
Acoustic Hood	120Z5045	ACCOUSTIC HOOD, LARGE FRAME	
Acoustic Hood	120Z5052	Sound Cover, LLZ013-018	
Capacitor	8173001	CAPACITOR 100µF 330V+R	
Capacitor	8173041	CAPACITOR 30µF 450V	
Capacitor	117U5017	START CAPACITOR 80 mfd	
Capacitor	117U5012	Start Capacitor 125 mF, 220V/50Hz	
Compressor Single Pack	118U3751	TAJ4519Z - AJ1 range	Phased out & replaced by 118U3989 from SN: 054428CG3916
Compressor Single Pack	118U3769	CAJ2464Z - AJ1 range	Phased out & replaced by 118U3990 from SN: 054428CG3916
Compressor Single Pack	118U3770	TAJ4517Z - AJ1 range	Phased out & replaced by 118U3991 from SN: 054428CG3916
Compressor Single Pack	118U3779	CAJ2446Z - AJ1 range	Phased out & replaced by 118U3992 from SN: 054428CG3916
Compressor Single Pack	118U3810	CAJ4517Z - AJ1 range	Phased out & replaced by 118U3993 from SN: 054428CG3916
Compressor Single Pack	118U3811	CAJ4519Z - AJ1 range	Phased out & replaced by 118U3994 from SN: 054428CG3916
Compressor Single Pack	118U3912	CAJ9513Z - AJ1 range	Phased out & replaced by 118U3995 from SN: 054428CG3916
Compressor Single Pack	118U3914	FH2511Z	
Compressor Single Pack	118U3915	TFH2511Z	
Compressor Single Pack	118U3988	CAJ9510Z - AJ2 range	
Compressor Single Pack	118U3989	TAJ4519Z - AJ2 range	
Compressor Single Pack	118U3990	CAJ2464Z - AJ2 range	
Compressor Single Pack	118U3991	TAJ4517Z - AJ2 range	
Compressor Single Pack	118U3992	CAJ2446Z - AJ2 range	
Compressor Single Pack	118U3993	CAJ4517Z - AJ2 range	
Compressor Single Pack	118U3994	CAJ4519Z - AJ2 range	
Compressor Single Pack	118U3995	CAJ9513Z - AJ2 range	
Compressor Single Pack	118U3996	CAJ4511Y - AJ2 range	
Compressor Single Pack	118U3997	CAJ4492Y - AJ2 range	
Compressor Single Pack	120F0226	NTZ048-4LR1B	
Compressor Single Pack	120F0228	NTZ048-5LR1B	
Compressor Single Pack	120F0230	NTZ068-4LR1B	
Compressor Single Pack	120F0232	NTZ068-5LR1B	
Compressor Single Pack	121L8629	MLZ015T4LP9A	
Compressor Single Pack	121L8631	MLZ015T5LP9A	
Compressor Single Pack	121L8633	MLZ021T4LP9A	
Compressor Single Pack	121L8635	MLZ021T5LP9A	
Compressor Single Pack	121L8637	MLZ026T4LP9A	
Compressor Single Pack	121L8639	MLZ026T5LP9A	
Compressor Single Pack	121L8641	MLZ030T4LC9A	
Compressor Single Pack	121L8643	MLZ030T5LC9A	
Compressor Single Pack	121L8645	MLZ038T4LC9A	
Compressor Single Pack	121L8647	MLZ038T5LC9A	
Compressor Single Pack	121L8649	MLZ045T4LC9A	
Compressor Single Pack	121L8651	MLZ048T4LC9A	
Compressor Single Pack	121L9535	LLZ013T4LQ9A	
Compressor Single Pack	121L9537	LLZ015T4LQ9A	
Compressor Single Pack	121L9539	LLZ018T4LQ9A	
Compressor Single Pack	123B2126	MPT14LA	
Compressor Single Pack	123B2127	MPT16LA	
Compressor Single Pack	123B2514	MLY90RAB	
Compressor Single Pack	123B2518	MPT12RA	
Compressor Single Pack	123B2704	MPT14RA	
Compressor Single Pack	195B0050	SC12G	
Compressor Single Pack	195B0053	SC15G	
Compressor Single Pack	195B0059	SC18G	
Compressor Single Pack	195B0636	SC21G	

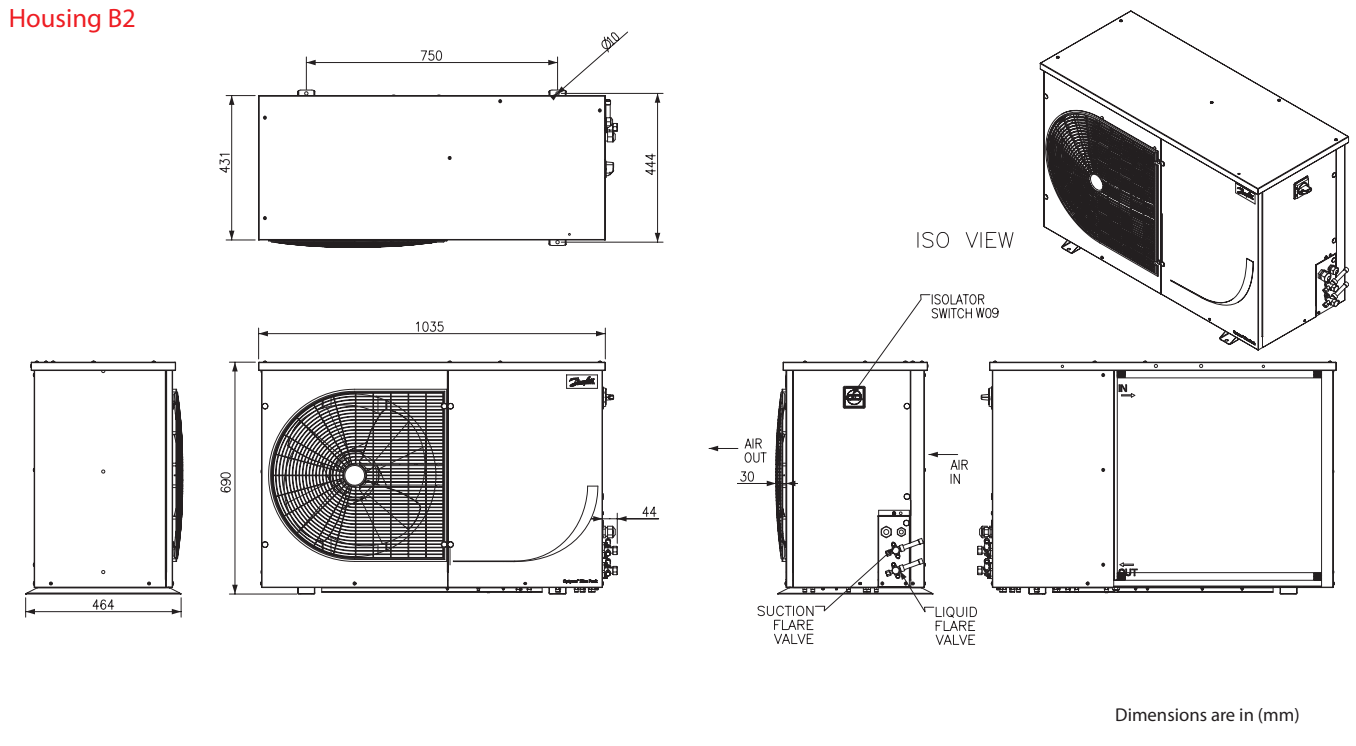
Component type	Component code	Component description	Additional informations
Condenser	118U3492	A7	
Condenser	118U3493	D7	
Condenser	118U3494	G7	
Contactorkit	118U3867	KIT CONT, SCHNEIDER-LC1E2501M6	
Contactorkit	118U3868	KIT CONT, SCHNEIDER-LC1E3801M6	
Contactorkit	118U3893	KIT CONT, SCHNEIDER-LC1E0901M5	
Contactorkit	118U3894	KIT CONT, SCHNEIDER-LC1E1201M5	
Contactorkit	118U3895	KIT CONT, SCHNEIDER-LC1E3201M5	
Contactorkit	118U3896	KIT CONT, SCHNEIDER-LC1E1801M5	
Contactorkit	118U3898	KIT CONT, SCHNEIDER-LC1E3801M6	
Crankcase heater	120Z0057	Belt type, 50 W, 230 V, CE mark, UL	
Crankcase heater	120Z0459	PTC heater 27 W, CE mark, UL	
Crankcase heater	120Z5040	Belt type, 70 W, 240 V, CE mark, UL	
Crankcase heater	192H2096	Crankcase heater 55W * use 118U0051	
Door Handle	118U3858	HANDLE, ABB-OHB2AJM,MSMN,OX55X131	
Dual pressure switch	060-539766	KP 17 WB	
Fan assembly	118U3829	Fan assembly	
Fan blade	118U3480	Fan blade	
Fan blade	118U3481	Fan blade	
Fan capacitor	118U3296	1,8 µF	
Fan capacitor	118U3297	3,5 µF	
Fan cowl/grill	118U3483	Ä, 356 mm	
Fan cowl/grill	118U3484	Ä, 457 mm	
Fan cowl/grill	118U3485	Ä, 609 mm	
Fan motor (Capacitor not included)	118U3477	25 W	
Fan motor (Capacitor not included)	118U3823	68 W	
Fan speed control Female connection	061H3140	XGE-4C	
Fan speed control Female connection	061H3144	XGE-2C	
Fan speed control Male connection	061H3142	XGE-4C	
Filter drier	023Z5040	DML083	
Filter drier	023Z5041	DML084	
Filter drier	023Z5044	DML164	
Liquid valve	118U3414	Brazed Service Valve 3/8"	
Liquid valve	118U3761	Brazed Service Valve 1/2"	
Main switch kit	118U3869	C60H2P25AC	
Main switch kit	118U3870	C60H2P32AC	
Main switch kit	118U3871	C60H2P40AC	
Main switch kit	118U3872	C60H4P10AC	
Main switch kit	118U3873	C60H4P16AC	
Main switch kit	118U3874	C60H4P20AC	
Main switch kit	118U3975	KIT CIRCUITBREAKER,C60H2P10A	
Main switch kit	118U3976	KIT CIRCUITBREAKER,C60H2P16A	
Main switch kit	118U3980	KIT CIRCUITBREAKER, SCHNEIDER-A9N2P06C	
Main switch kit	118U3851	KIT MPCB, ABB-MS116-10+HK1-20	
Main switch kit	118U3852	KIT MPCB, ABB-MS116-16+HK1-20	
Main switch kit	118U3853	KIT MPCB, ABB-MS116-6.3+HK1-20	
Main switch kit	118U3854	KIT MPCB, ABB-MS132-20+HK1-20	
Main switch kit	118U3855	KIT MPCB, ABB-MS132-25+HK1-20	
Main switch kit	118U3856	KIT MPCB, ABB-MS132-32+HK1-20	
Main switch kit	118U3857	KIT MPCB, ABB-MS450-40+HKS4-20	
Main switch kit	118U5162	SPARE PART, KIT MPCB MS116-4.0 2.5-4A	
Isolator switch	118U5117	SPARE PART, ISOLATOR SWITCH SHAFT ASSLY B1/B2	
Isolator switch	118U5120	SPARE PART, ISOLATOR SWITCH SHAFT ASSLY B3 3PH	
Isolator switch	118U5119	SPARE PART, ISOLATOR SWITCH SHAFT ASSLY B3 1PH	
Oil	-	POE32 for Light Commercial (MLY / MPT)	
Oil	-	RL32HA/HT for light Commercial (CAJ/FH/TAJ/TFH)	
Oil	120Z0638	1 litre can of 175PZ - POE (NTZ Platform)	CU with a SN above 051220CG3016
Oil	120Z0639	2,5 litre can of 175PZ - POE (NTZ Platform)	CU with a SN above 051220CG3016
Oil	120Z0648	1 litre can of 215PZ - POE46 (MLZ & LLZ Platform)	CU with a SN above 051220CG3016
Overload relay	118U3875	KIT OL-RELAY, SCHNEIDER-LRE12+LAEB2	
Overload relay	118U3876	KIT OL-RELAY, SCHNEIDER-LRE14+LAEB2	
Overload relay	118U3877	KIT OL-RELAY, SCHNEIDER-LRE16+LAEB2	
Overload relay	118U3878	KIT OL-RELAY, SCHNEIDER-LRE21+LAEB2	
Overload relay	118U3879	KIT OL-RELAY, SCHNEIDER-LRE22+LAEB2	
Overload relay	118U3880	KIT OL-RELAY, SCHNEIDER-LRE32+LAEB2	
Overload relay	118U3881	KIT OL-RELAY, SCHNEIDER-LRE35+LAEB2	
Overload relay	118U3978	KIT OL-RELAY, SCHNEIDER-LRE1	

Component type	Component code	Component description	Additional informations
Receiver	118U3474	1,3 L	
Receiver	118U3475	3,4 L	
Receiver	118U3476	6,2 L	
Relay	8173022	STARTING RELAY TYPE RVA6AMKL	
Relay	117U6013	STARTING RELAY	
Relay	117U6019	Starting Relay SC 50/60 Hz	
Relay	117U6011	STARTING RELAY SC 220V/60Hz	
Relay	117-7027	SC-RELAY	
Relay	117U6003	STARTING RELAY TL/SC 115V/50/60Hz	
Relay	117U6005	STARTING RELAY SC 220V/50Hz	
Relay	117-7029	SC-RELAY	
Run capacitor	8173231	Run capacitor 440V, 40 µF	
Run capacitor	8173233	Run capacitor 440V,50 µF	
Run capacitor	8173234	Run capacitor 440V,55 µF	
Run capacitor	120Z0051	Run capacitor 70 µF	
Sequence phase relay	118U3882	SM500-MG73BF	
Sight glass	014L0173	SGP 12 N	
Sight glass	014L0182	SGP 10s N	
Suction valve	118U3762	Brazed Service Valve 3/4"	
Suction valve	118U3763	Brazed Service Valve 7/8"	
Suction valve	118U3764	Brazed Service Valve 5/8"	
Top Panel B1	118U5141	SPARE PART, SHEET METAL TOP B1	
Fan panel B1	118U5142	SPARE PART, SHEET METAL FAN B1	
Back Panel B1	118U5143	SPARE PART, SHEET METAL BACK B1	
Service panel W05 B1	118U5144	SPARE PART, SHEET METAL SERVICE PANEL B1	
Left Side Panel B1	118U5167	SPARE PART, SHEET METAL LEFT SIDE B1	
Service panel W09 B1	118U5156	SPARE PART, SHEET METAL SERVICE PANEL B1- W09	
Top Panel B2	118U5146	SPARE PART, SHEET METAL TOP B2	
Fan panel B2	118U5147	SPARE PART, SHEET METAL FAN B2	
Back Panel B2	118U5148	SPARE PART, SHEET METAL BACK B2	
Service panel W05 B2	118U5149	SPARE PART, SHEET METAL SERVICE PANEL B2	
Left Side Panel B2	118U5168	SPARE PART, SHEET METAL LEFT SIDE B2	
Service panel W09 B2	118U5157	SPARE PART, SHEET METAL SERVICE PANEL B2 -W09	
Top Panel B3	118U5151	SPARE PART, SHEET METAL TOP B3	
Fan panel B3	118U5152	SPARE PART, SHEET METAL FAN B3	
Back Panel B3	118U5153	SPARE PART, SHEET METAL BACK B3	
Service panel W05 B3	118U5154	SPARE PART, SHEET METAL SERVICE PANEL B3	
Left Side Panel B3	118U5169	SPARE PART, SHEET METAL LEFT SIDE B3	
Service panel W09 B3	118U5158	SPARE PART, SHEET METAL SERVICE PANEL B3 -W09	
Starting KIT	118U5191	CAJ2446Z _ F1 KIT Capacitor and relay	
Starting KIT	118U5192	CAJ2464Z _ F1 KIT Capacitor and relay	
Starting KIT	118U5193	CAJ4492Y _ F1 KIT Capacitor and relay	
Starting KIT	118U5194	CAJ4511Y _ F1KIT Capacitor and relay	
Starting KIT	118U5195	CAJ4517Z _ F1 KIT Capacitor and relay	
Starting KIT	118U5196	CAJ4519Z _ F1 KIT Capacitor and relay	
Starting KIT	118U5197	CAJ9510Z _ F1 KIT Capacitor and relay	
Starting KIT	118U5198	CAJ9513Z _ F1KIT Capacitor and relay	
Starting KIT	118U5199	FH2511Z _ F1KIT Capacitor and relay	
Start capacitor	123B9316	STARTING CAPACITOR+CC 72-88µF/330V R216	
Run C capacitor	123B9219	RUN CAPACITOR 16µF/420V, REF. 321	
Relay	123B9151	RELAY + CON. BOARD 1158-8 BDG 158S+ NTC	
Start capacitor	123B9315	STARTING CAPACITOR+CC 64-77µF/330V R205	
Run C capacitor	123B9222	RUN CAPACITOR 10µF/420V, REF. 326	
Relay	123B9133	RELAY + CON. BOARD 1149-8 BDG 149S+ NTC	
Start capacitor	117U5373	START CAPACITOR 80 mfd	
Capacitor	120Z0400	CAPACITOR 161-193µF 330V	
Start relay	120Z0393	Starting relay RVA9CKL	
Start relay	120Z0394	Starting relay RVA3EKL	
Start relay	120Z0395	Starting relay RVA4GKL	
Start capacitor	120Z0399	Start capacitor 145-175 F	
Relay	123B9139	RELAY + CON. BOARD 1166-8 BDG 166S+ NTC	
Run C capacitor	123B9226	RUN CAPACITOR 25µF/420V, REF. 310 MET.	

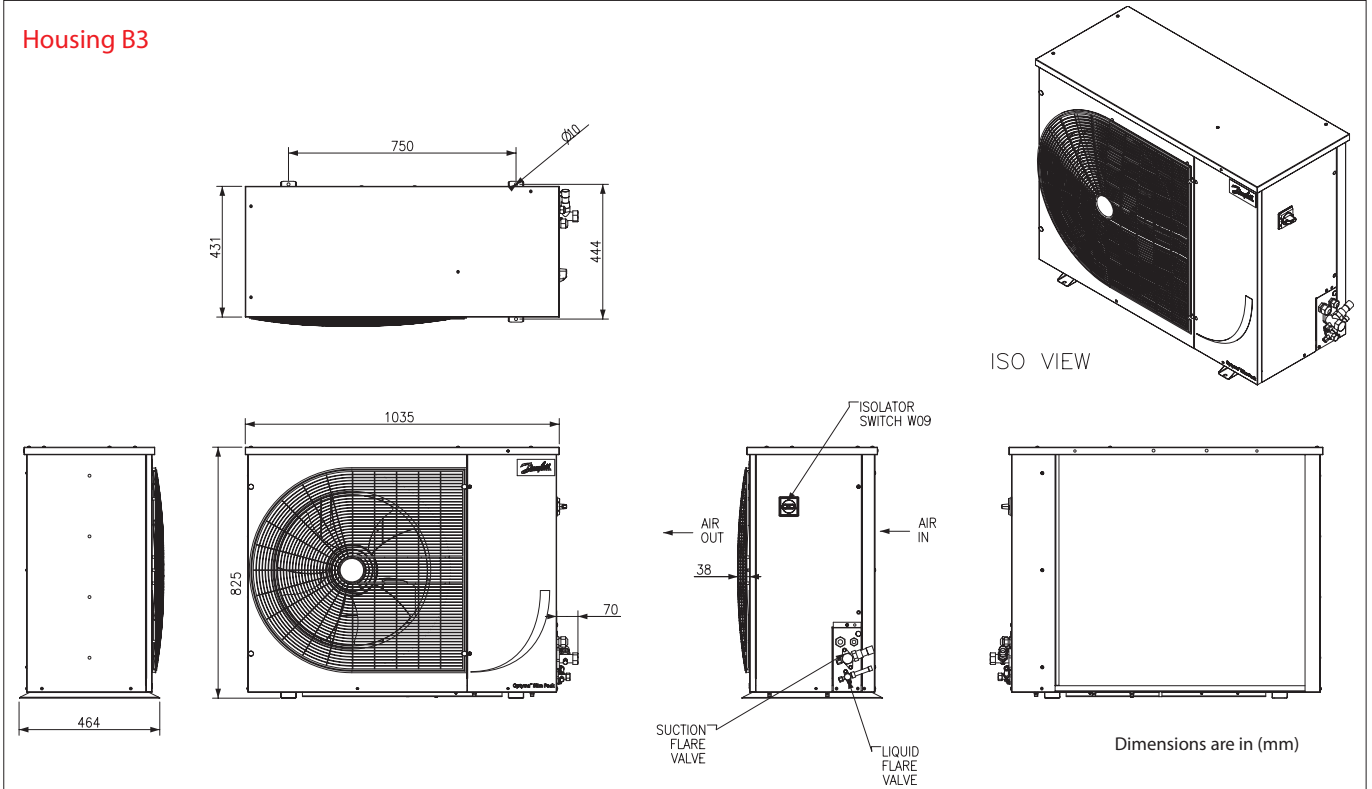
Housing B1



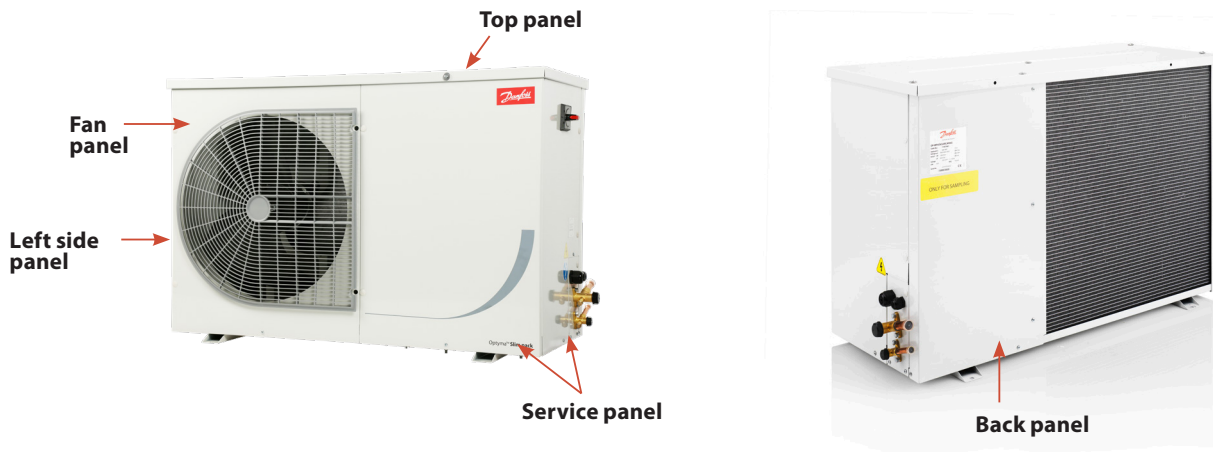
Housing B2



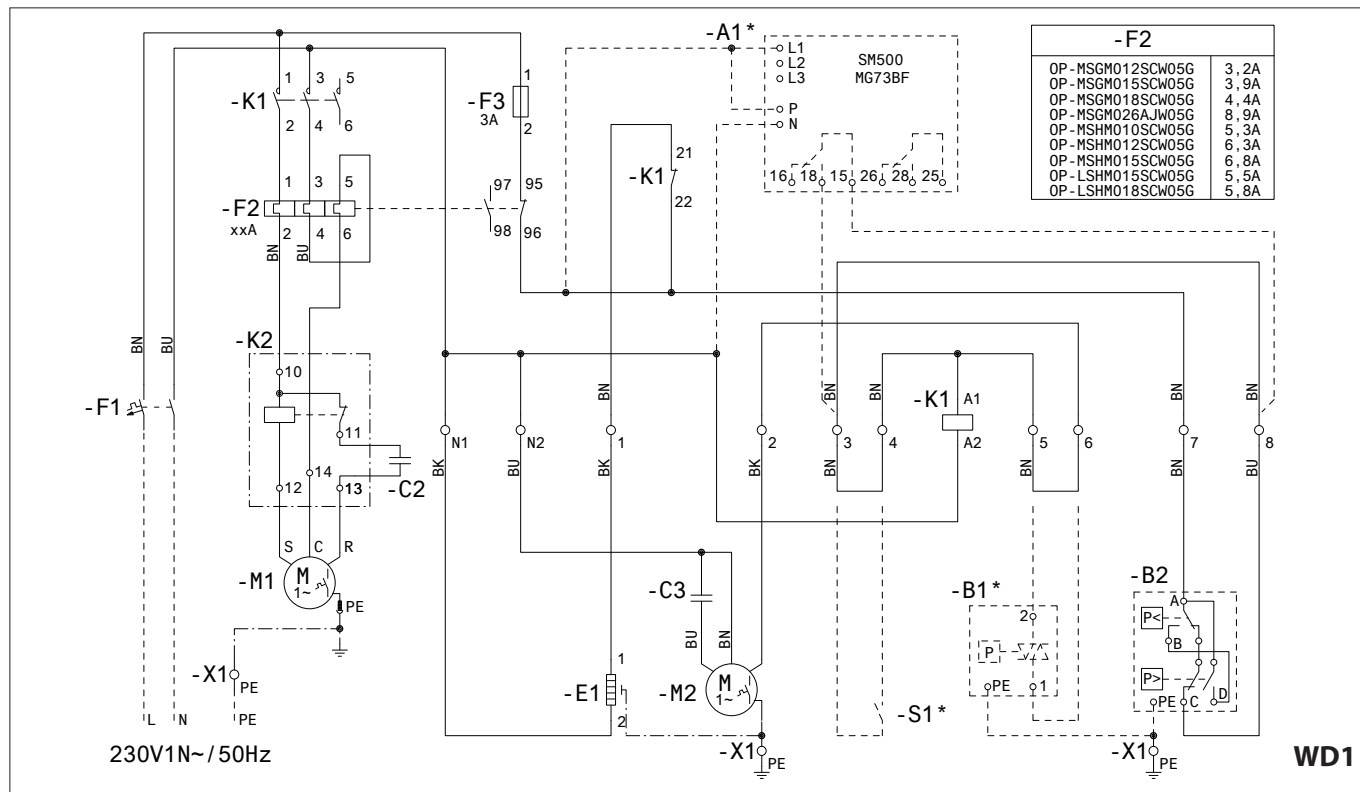
Housing B3



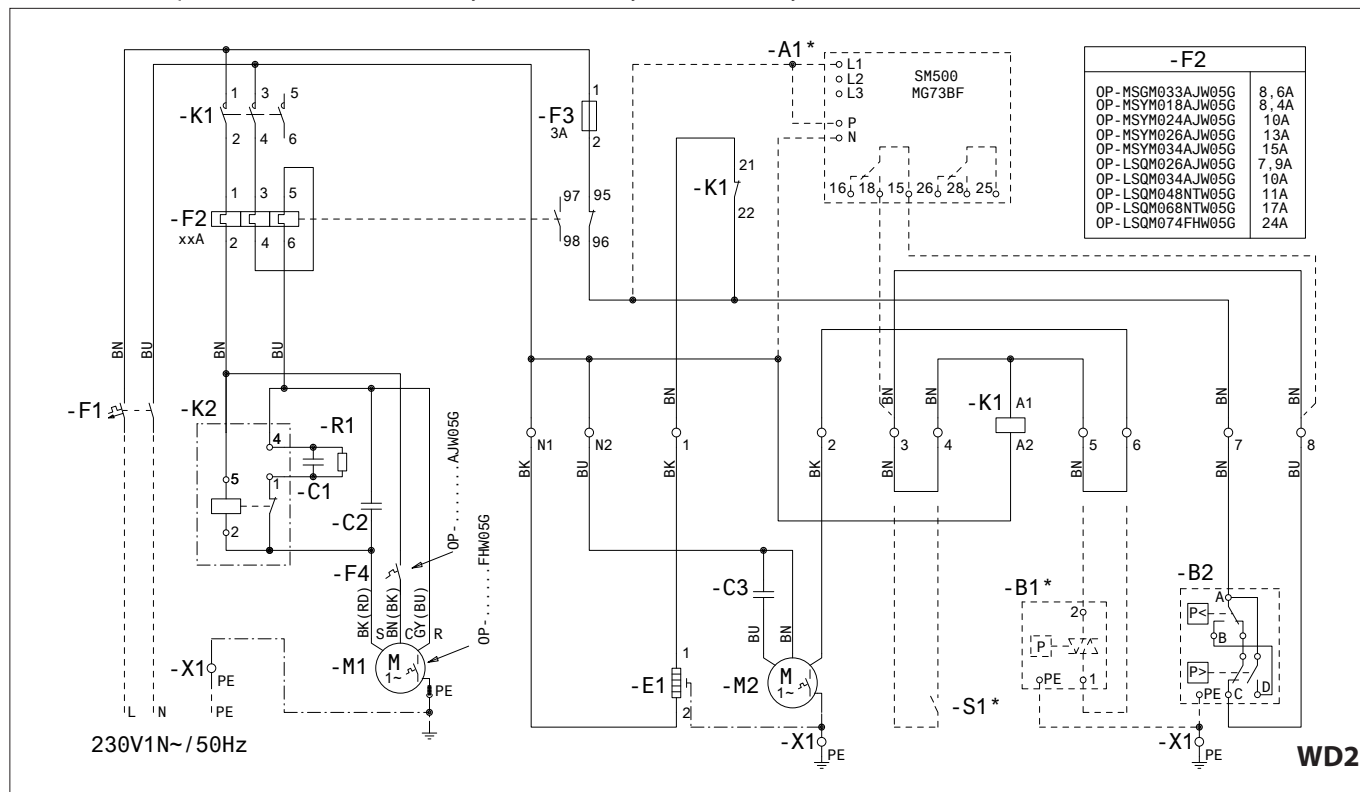
Optyma™ Plus - Housing spare parts



Code G : OP-MSGM012 - 015 - 018 - 026

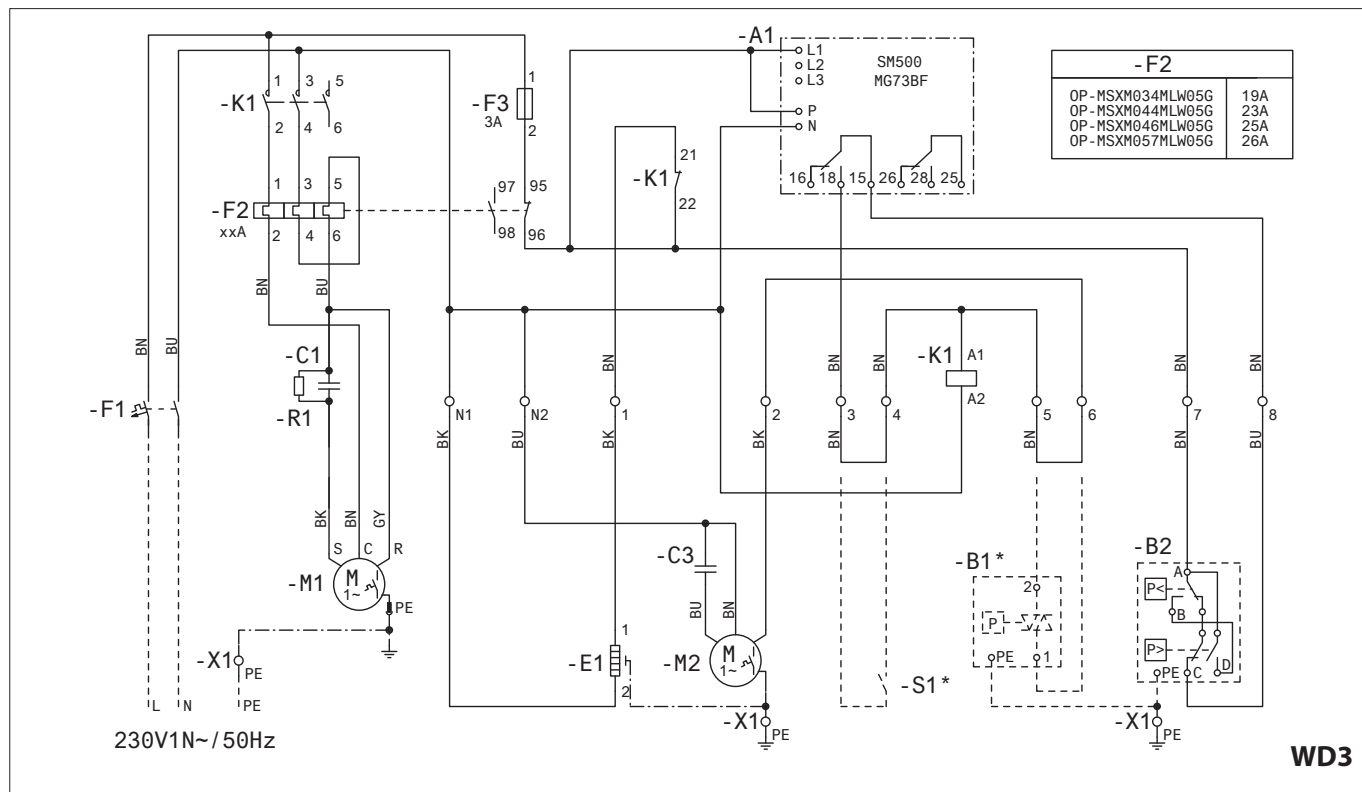


Code G : OP-LSQM026 - 034 - 048 - 068 - 074, OP-MSGM033, OP-MSHM018, OP-MSYM018 - 024 - 026 - 034

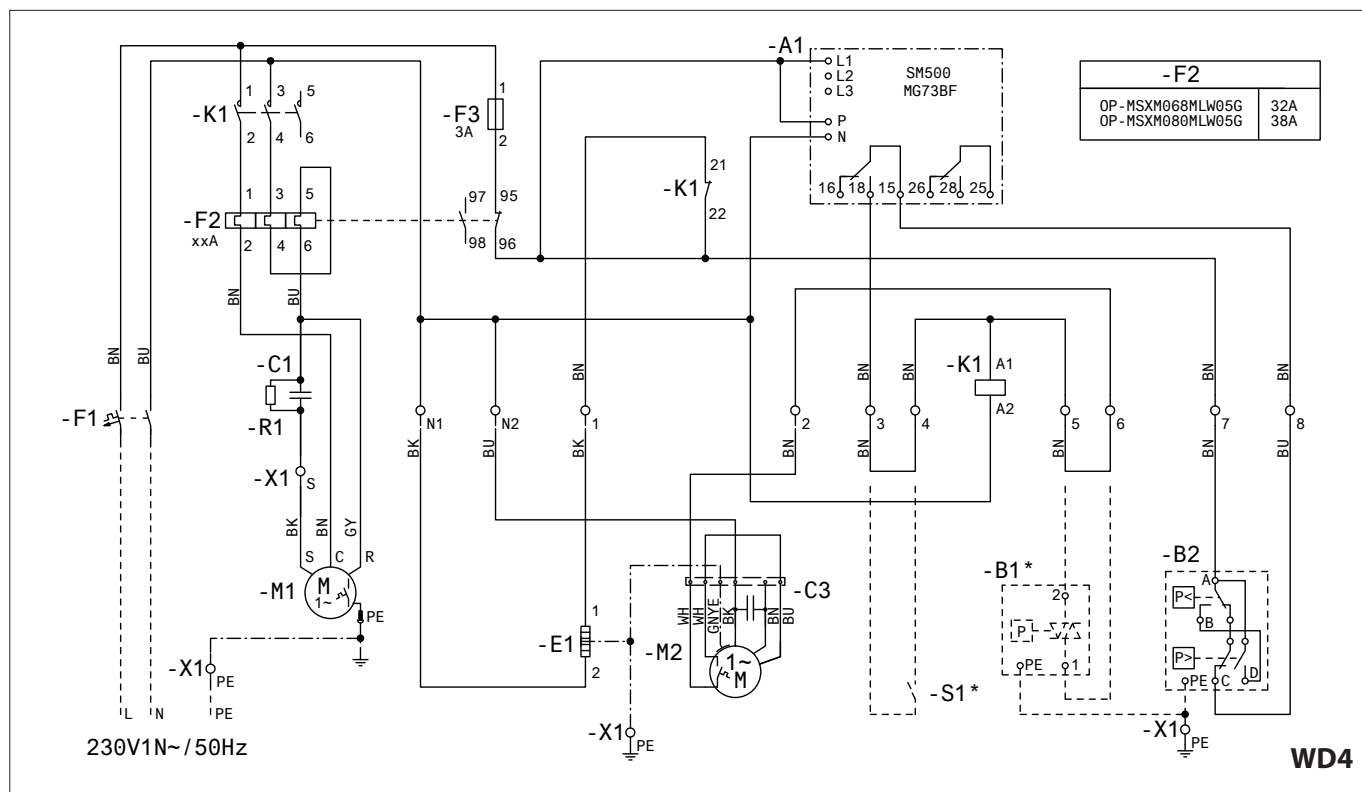


- | | | | | | | |
|---------------|-----|----------------------------------|----|------------------------------|-----|--------------------------|
| Legend | A1* | Voltage relay (option) | E1 | Crankcase heater | M1 | Compressor |
| BK black | B1* | Fan speed controller (option) | F1 | Main switch | M2 | Fan motor |
| BU blue | B2 | High and Low pressure switch | F2 | Overload relay | R1 | Bleeder resistor |
| BN brown | C1 | Start capacitor compressor | F3 | Fuse control circuit | S1* | Room thermostat (option) |
| GY grey | C2 | N° 1: Start capacitor compressor | F4 | Compressor thermal protector | X1 | Terminals |
| RD red | C3 | N° 2: Run capacitor compressor | K1 | Contact | * | Option (remove bridge) |
| WH white | | Run capacitor fan | K2 | Start relay | | |

Code G : OP-MSXM034 - 044 - 46 - 057



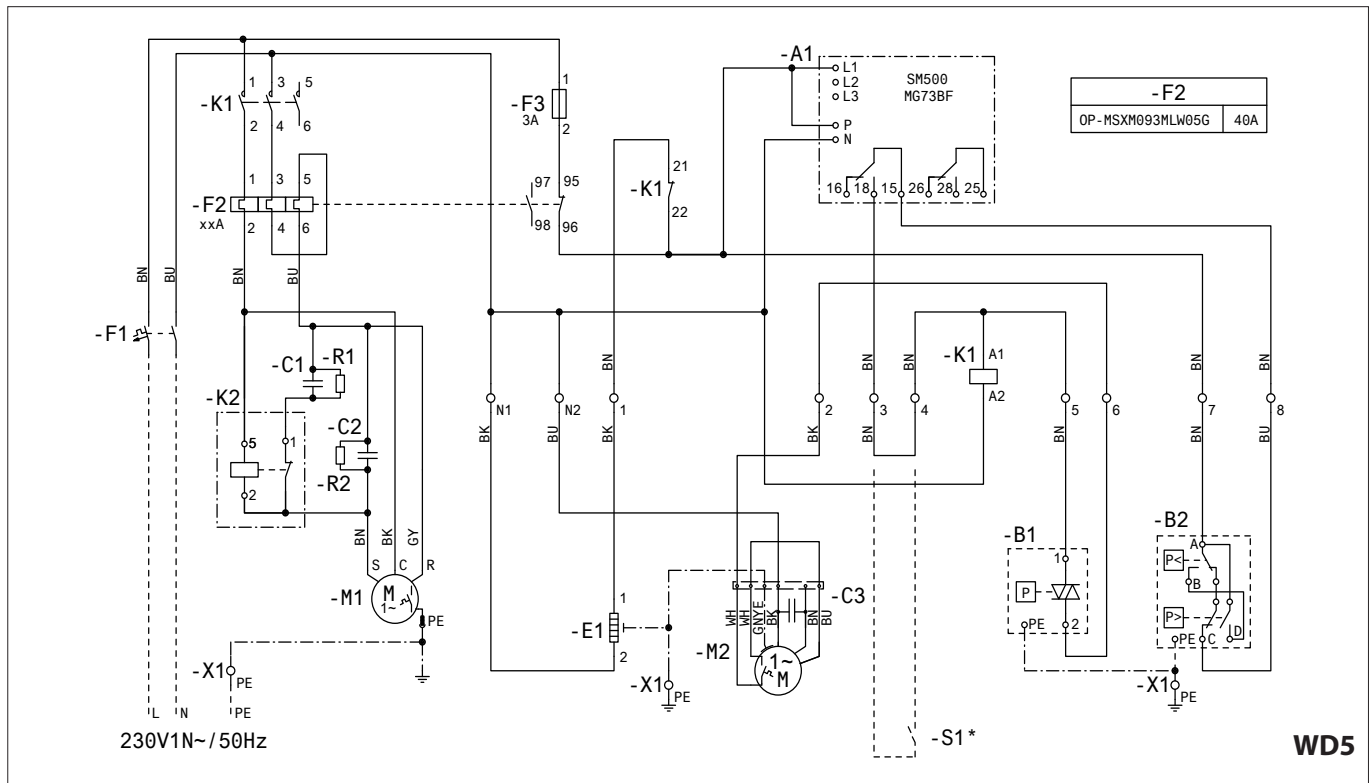
Code G : OP-MSXM068 - 080



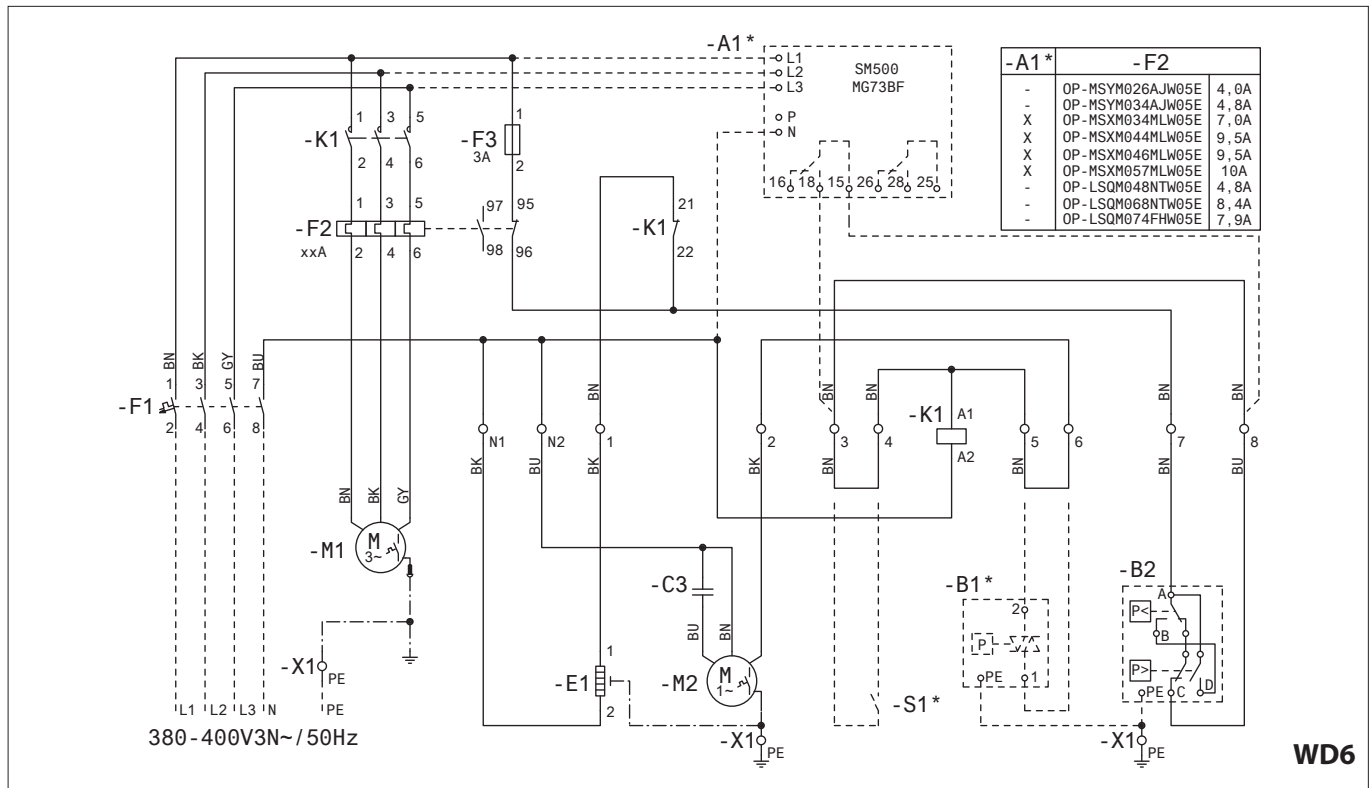
Legend

- | | | | |
|----------|-----------------------------------|-------------------------|------------------------------|
| BK black | A1 Voltage relay | F1 Main switch | M2 Fan motor |
| BU blue | B1* Fan speed controller (option) | F2 Overload relay | R1 Bleeder resistor |
| BN brown | B2 High and Low pressure switch | F3 Fuse control circuit | S1* Room thermostat (option) |
| GY grey | C1 Run capacitor compressor | K1 Contactor | X1 Terminals |
| RD red | C3 Run capacitor fan | K2 Start relay | * Option (remove bridge) |
| WH white | E1 Crankcase heater | M1 Compressor | |

Code G : OP-MSXM093



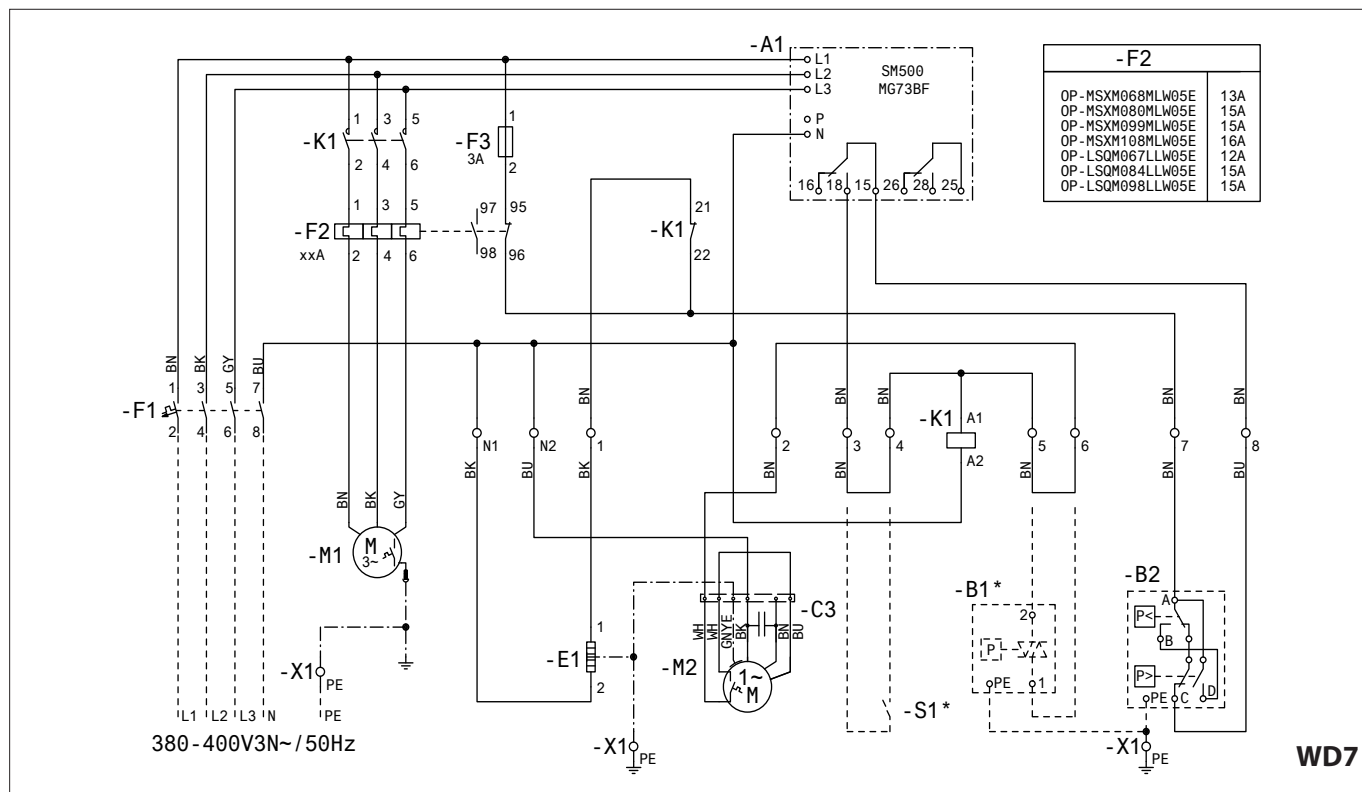
Code E : OP-LSQM048 - 068 - 074, OP-MSYM026 - 034, OP-MSXM034 - 044 - 046 - 057



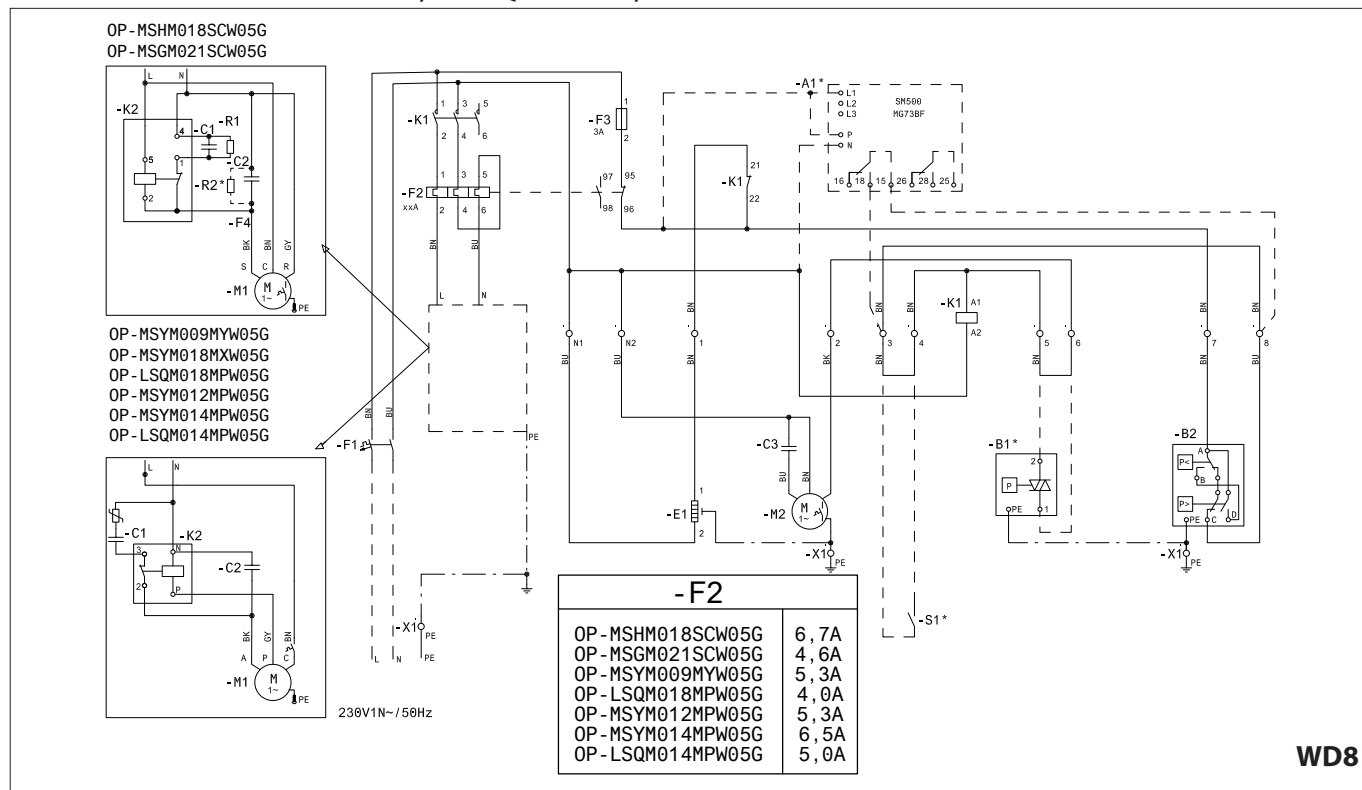
Legend

- | | | | |
|----------|-----------------------------------|-------------------------|------------------------------|
| BK black | A1* Voltage relay (option) | E1 Crankcase heater | M1 Compressor |
| BU blue | B1* Fan speed controller (option) | F1 Main switch | M2 Fan motor |
| BN brown | B2 High and Low pressure switch | F2 Overload relay | R1, R2 Bleeder resistor |
| GY grey | C1 Start capacitor compressor | F3 Fuse control circuit | S1* Room thermostat (option) |
| RD red | C2 Run capacitor compressor | K1 Contactor | X1 Terminals |
| WH white | C3 Run capacitor fan | K2 Start relay | * Option (remove bridge) |

Code E : OP-MSXM068 - 080 - 099 - 108, OP-LSQM067 - 084 - 098



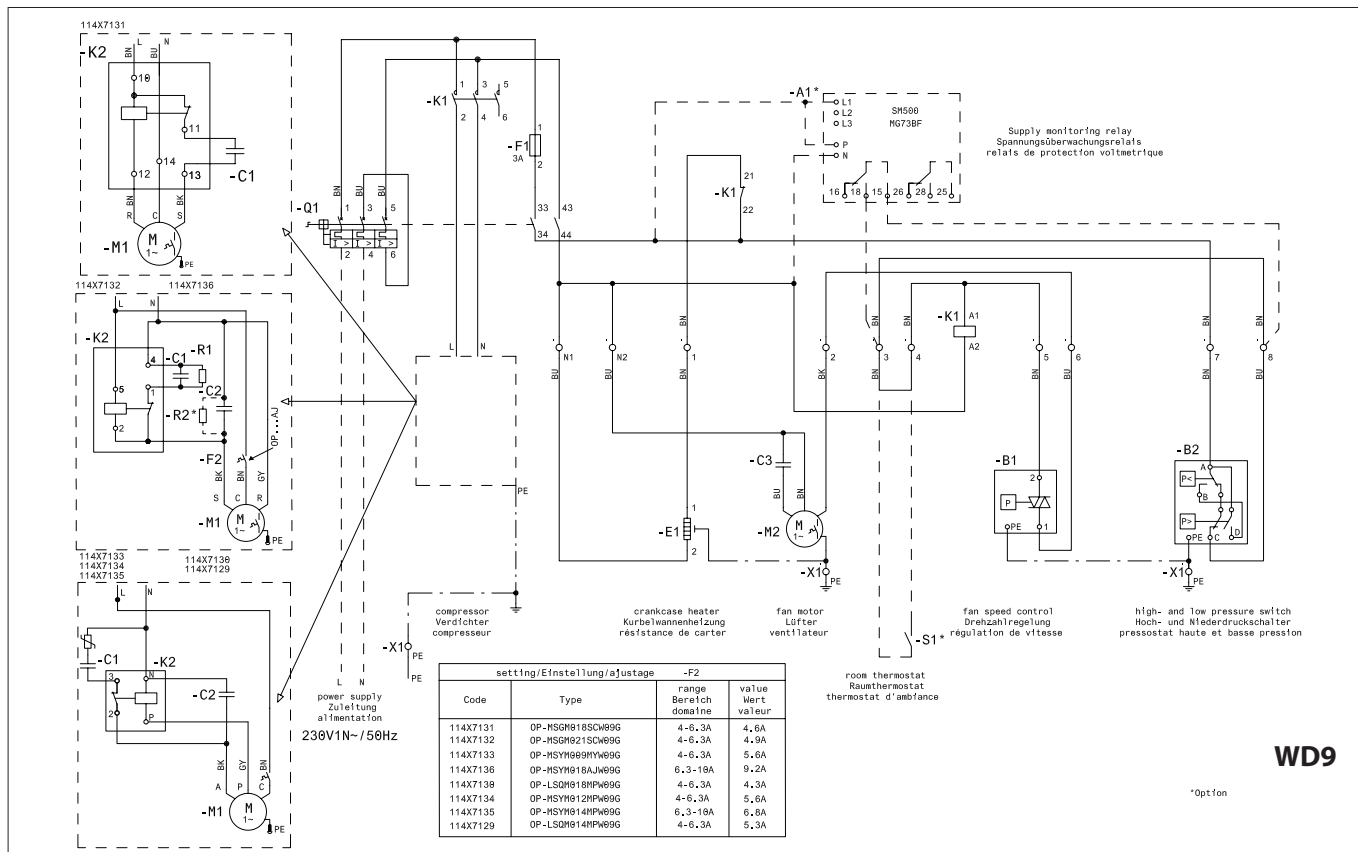
Code G : OP-MSYM009 - 012 - 014 - 018, OP-LSQM014 - 018, OP-MSGM21



Legend

- | | | | |
|----------|-----------------------------------|-------------------------|------------------------------|
| BK black | A1* Voltage relay | E1 Crankcase heater | M1 Compressor |
| BU blue | B1* Fan speed controller (option) | F1 Main switch | M2 Fan motor |
| BN brown | B2 High and Low pressure switch | F2 Overload relay | R1, R2* Bleeder resistor |
| GY grey | C1 Start capacitor compressor | F3 Fuse control circuit | S1* Room thermostat (option) |
| RD red | C2 Run capacitor compressor | K1 Contactor | X1 Terminals |
| WH white | C3 Run capacitor fan | K2 Start relay | * Option (remove bridge) |

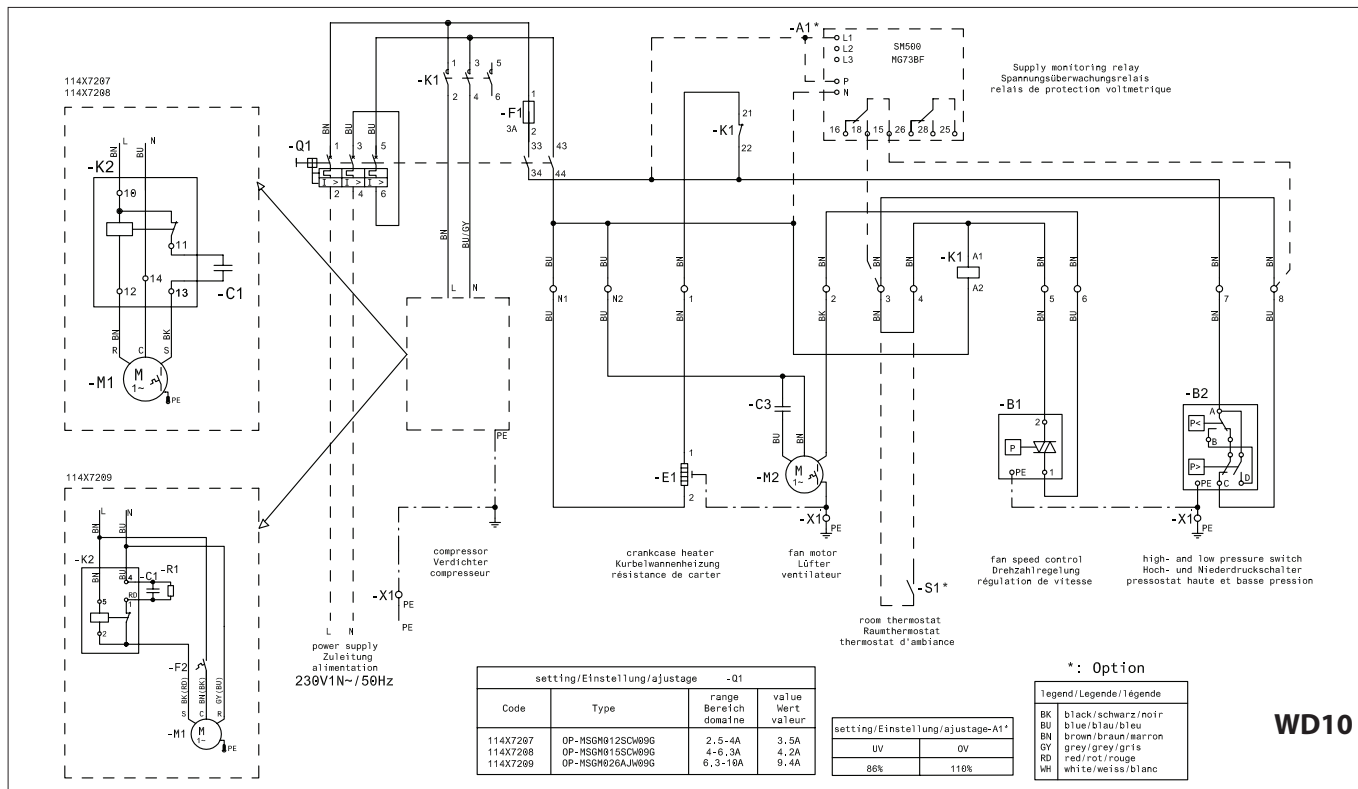
Code G (W09 Version): OP-LSQM014, 018, OP-MSGM018, 021, OP-MSYM009, 012, 014, OP-MSYM018



WD9

*Option

Code G (W09 Version): OP-MSGM012, 015, 026



WD10

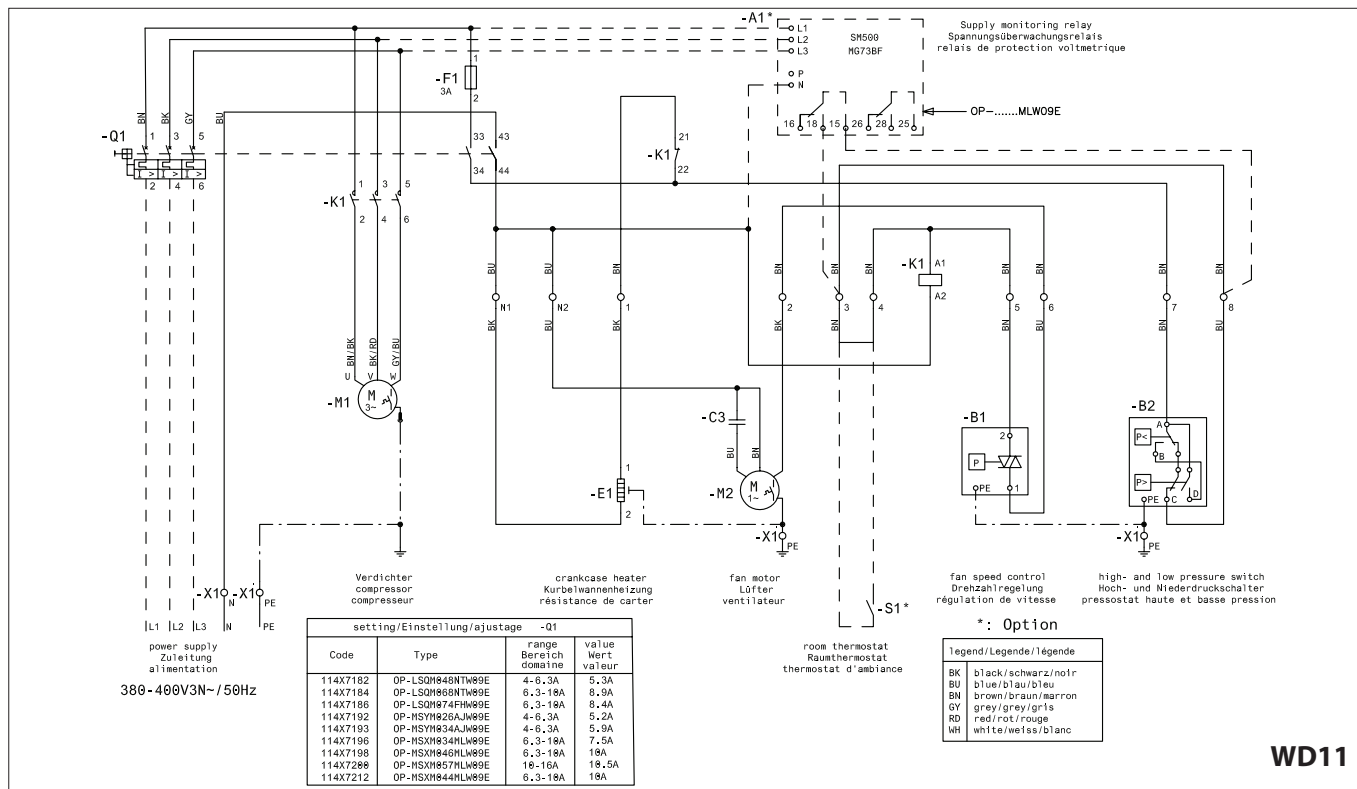
*: Option

Legend/Legende/légende
BK black/schwarz/noir
BU blue/blau/bleu
BN brown/braun/marron
GY grey/gris
RD red/rot/rouge
WH white/weiss/blanc

Legend

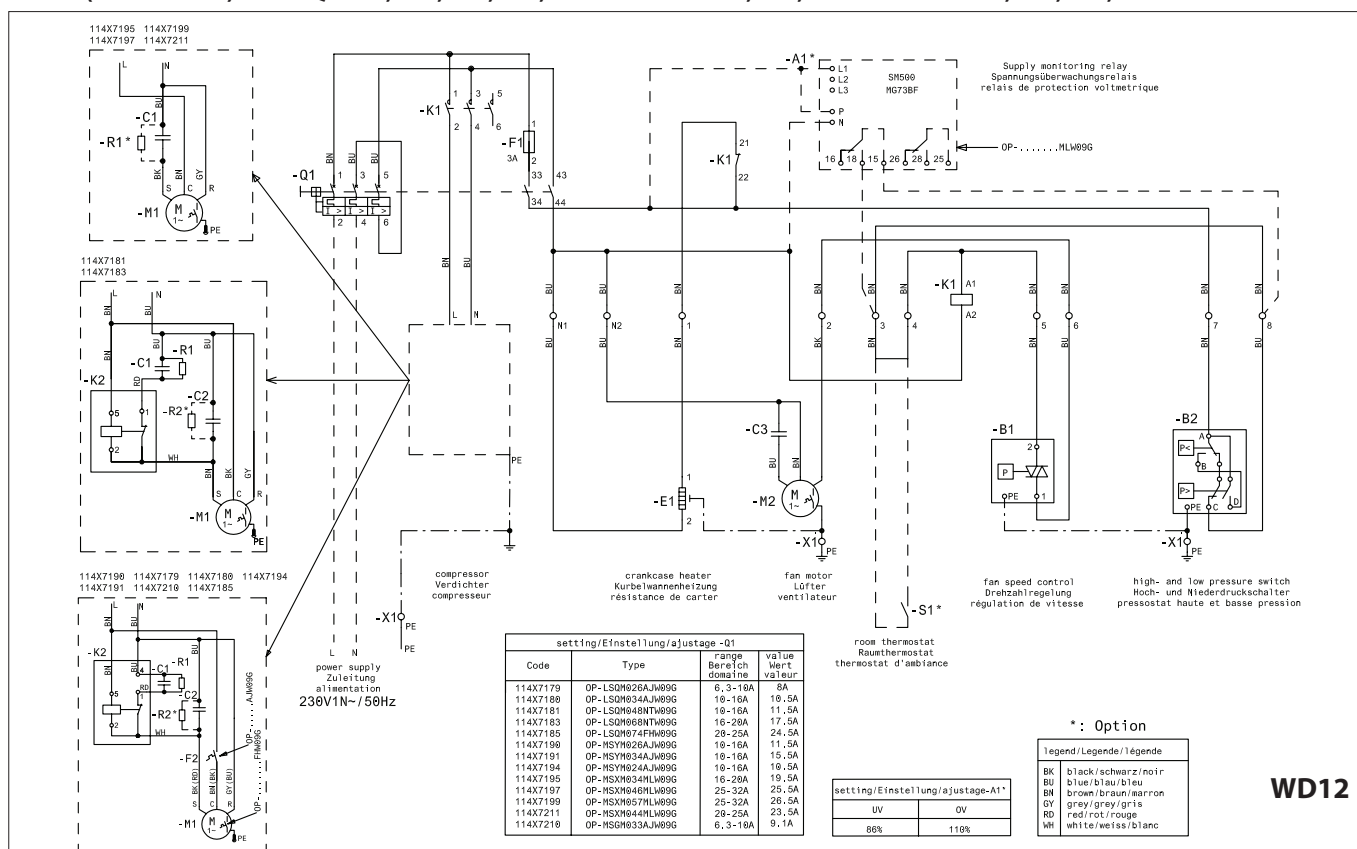
- | | | |
|----------|---------------------------------|------------------------------|
| BK black | A1* Voltage relay | E1 Crankcase heater |
| BU blue | B1 Fan speed controller | F1 Main switch |
| BN brown | B2 High and Low pressure switch | F2 Overload relay |
| GY grey | C1 Start capacitor compressor | F3 Fuse control circuit |
| RD red | C2 Run capacitor compressor | K1 Contactor |
| WH white | C3 Run capacitor fan | K2 Start relay |
| | | M1 Compressor |
| | | M2 Fan motor |
| | | R1, R2* Bleeder resistor |
| | | S1* Room thermostat (option) |
| | | X1 Terminals |
| | | * Option (remove bridge) |

Code E (W09 Version): OP-LSQM048, 068, 074 OP-MSYM023, 034 OP-MSXM034, 044, 046, 057



WD11

Code E (W09 Version): OP-LSQM026, 034, 048, 068, 074 OP-MSYM024, 026, 034 OP-MSXM034, 044, 046, 057 OP-MSGM033

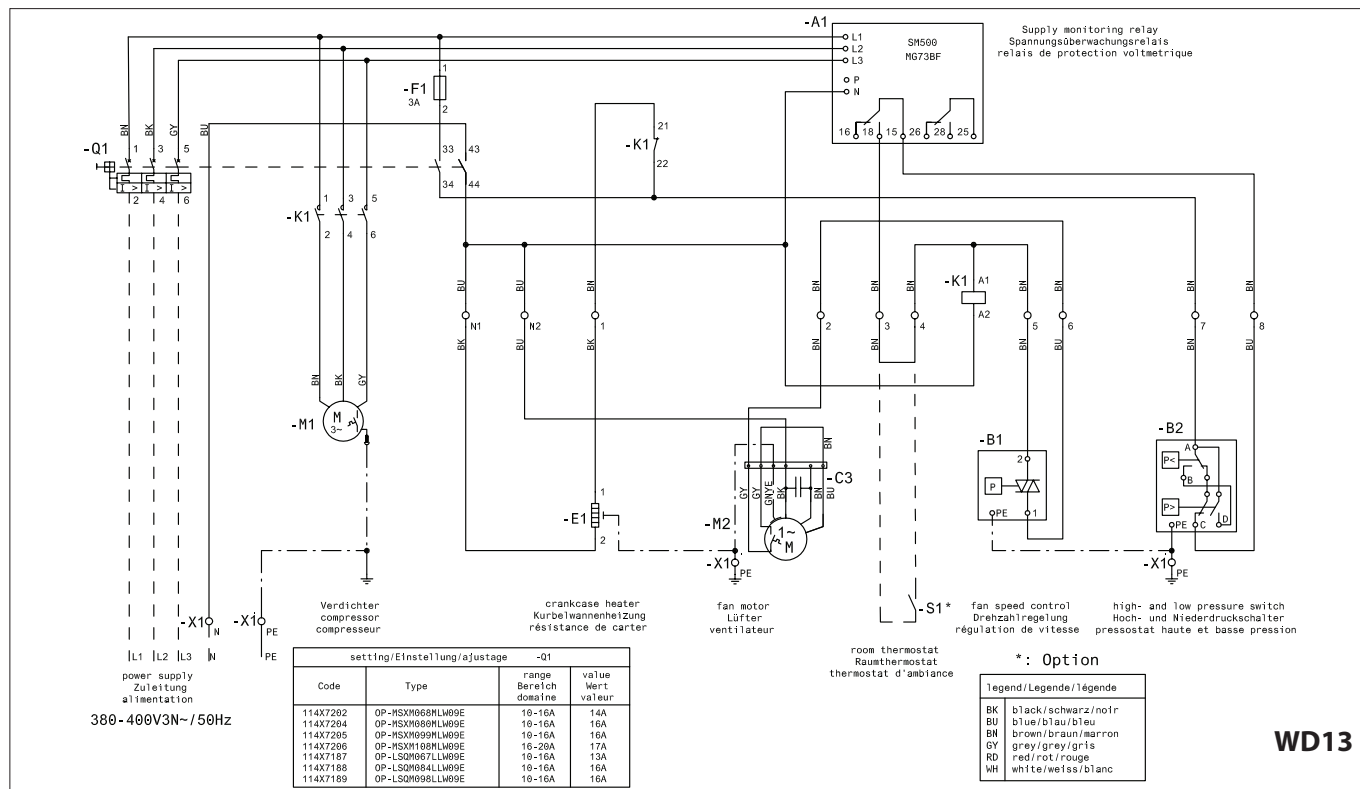


WD12

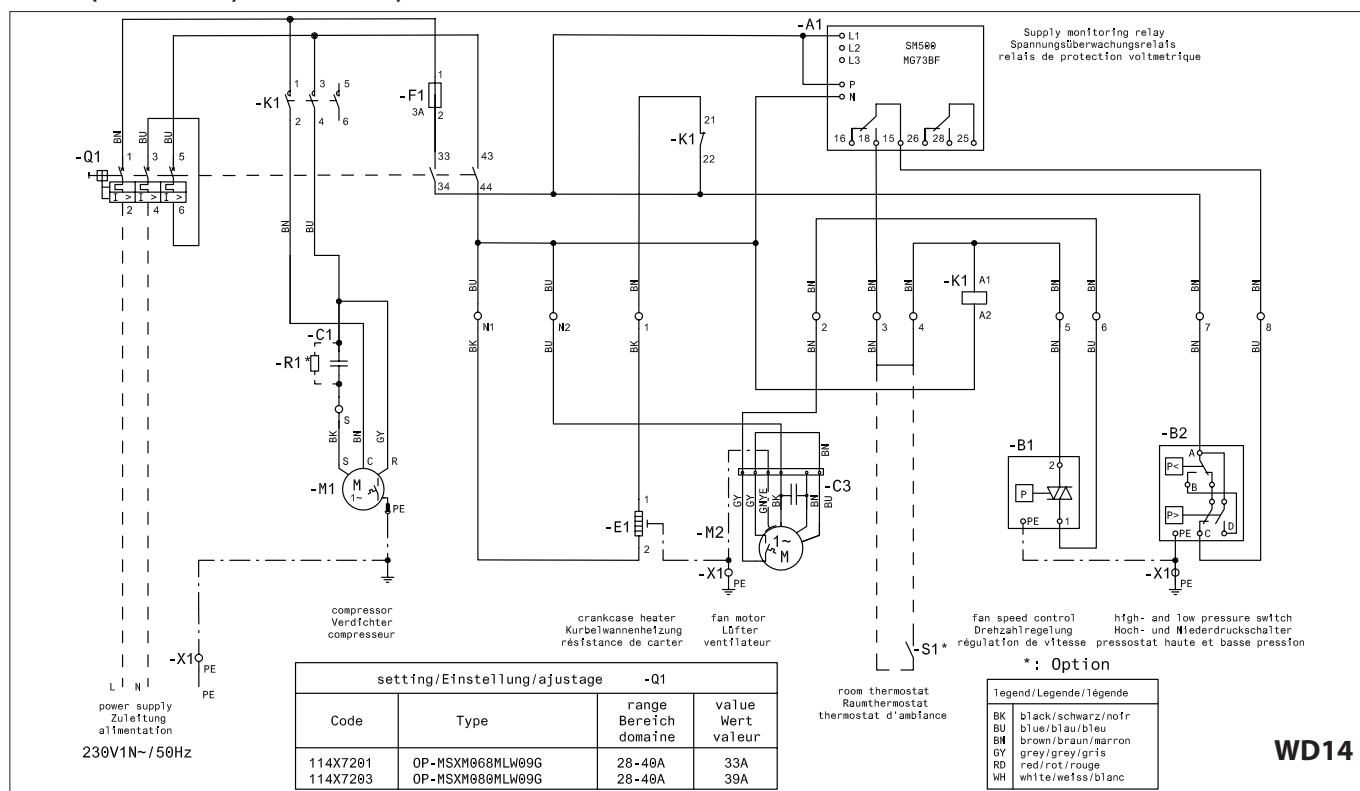
Legend

- | | | | | | | | |
|----|-------|-----|------------------------------|----|----------------------|---------|--------------------------|
| BK | black | A1* | Voltage relay | E1 | Crankcase heater | M1 | Compressor |
| BU | blue | B1 | Fan speed controller | F1 | Main switch | M2 | Fan motor |
| BN | brown | B2 | High and Low pressure switch | F2 | Overload relay | R1, R2* | Bleeder resistor |
| GY | grey | C1 | Start capacitor compressor | F3 | Fuse control circuit | S1* | Room thermostat (option) |
| RD | red | C2 | Run capacitor compressor | K1 | Contact | X1 | Terminals |
| WH | white | C3 | Run capacitor fan | K2 | Start relay | * | Option (remove bridge) |

Code E (W09 Version): OP-MSXM068, 080, 099, 108 OP-LSQM067, 084, 098



Code G (W09 Version): OP-MSXM068, 080



Legend

BK black
BU blue
BN brown
GY grey
RD red
WH white

A1* Voltage relay
B2 High and Low pressure switch
C1 Start capacitor compressor
C2 Run capacitor compressor
C3 Run capacitor fan

E1 Crankcase heater
F1 Fan speed controller
F2 Overload relay
F3 Fuse control circuit
K1 Contactor
K2 Start relay

M1 Compressor
M2 Fan motor
R1, R2* Bleeder resistor
S1* Room thermostat (option)
X1 Terminals
* Option (remove bridge)

Optyma™ Plus

Equipped for **quietness** and **top performance**

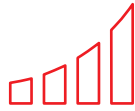
The same robust quality with added technology and smarter design. That's a seriously cool combination.

50%
less installation time.
A fast fit that lets you
keep up the tempo



Quick and safe installation and service

It is another step forward in plug and play. It will not just save you valuable time in installation, set up and service, it will also reduce your customers' bill.



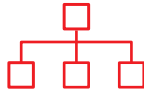
High SEPR*

All models in the range are highly efficient and well above EcoDesign 2018 thresholds, contributing to a reduction in energy costs. *SEPR: Seasonal Energy Performance Ratio.



The best sound performance in the market

Due to its long-life compressor, acoustic insulation, component design as well as intelligent fan speed reduction during low capacity operation.



Connectivity

Contributes to considerable energy savings, making the Optyma™ Plus up to 20% more economical than an equivalent product.



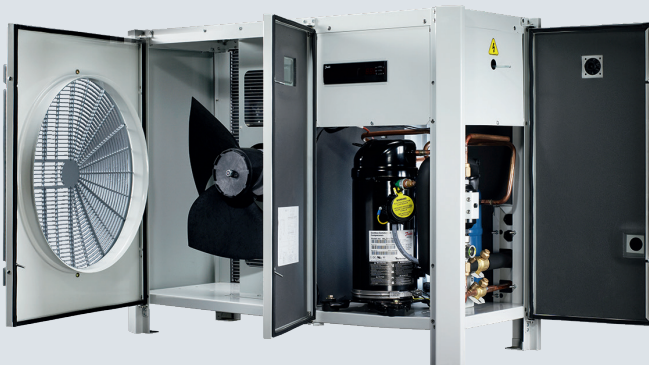
High efficiency to the top

In-field stacking cuts costs

With its unique load-bearing design, it's possible to stack units in the field. This cuts installation time, and saves on carpentry and brackets to reduce cost.

Compact cabinet speeds installation

New compact design makes it easier to maneuver when fitting in tight spaces, saving installation time.



Accessibility to speed up service

Easier and quicker accessibility to all components with new double door design – saves time during servicing, maintenance and repair.

Intelligent technology speeds start-up and enhances reliability

Preset parameters make it easier to get it right from the start. Fewer mistakes reduce the risk of damage and save time and money on repairs.

High SEPR/COP cuts energy costs

E.g. in a cold room where frozen food is stored and with 4.2 kW of cooling capacity.

Optyma™ Plus LBP unit vs equivalent unit in the market*

Cooling cap.: 4.2 kW
Refrigerant: R452A



UNIT	Danfoss	Market
COP	1.08	0.97
USAGE	~ 25 820 kWh	~ 30 012 kWh

Annual energy consumption saved: 4 192 kWh

Savings based on cost of energy:

FRANCE: 0.11€ / 1 KWH = 4 192 x 0.11 = 461€
UK: 0.15€ / 1 KWH = 4 192 x 0.15 = 629€
GERMANY: 0.20€ / 1 KWH = 4 192 x 0.20 = 838€

848€ annual electricity savings made by your customer in Germany

* Source: Danfoss

Model	Code	Version	Compressor	Electrical code (1)	Tamb [°C]	Cooling capacity Q [kW] (2)							EcoDesign (3)				Sound power level dB(A)	Sound pressure level 10 m dB(A)
						Te [°C]							Q [kW]	P [kW]	COP	SEPR		
						-40°C	-35°C	-30°C	-25°C	-20°C	-15°C	-10°C						
OP-LPQM017MP	114X3118	P00	MPT16LA	G	27	0.443	0.583	0.735	0.897	1.070	1.253							
					32	0.396	0.522	0.661	0.810	0.971	1.142	0.441	0.465	0.95		60	29	
					38	0.340	0.450	0.572	0.707	0.853	1.009							
					43	0.293	0.390	0.499	0.621	0.754	0.899							
OP-LPQM026AJ	114X3216	P00	CAJ2446Z	G	27	0.472	0.659	0.881	1.144	1.447	1.794	2.184						
					32	0.408	0.581	0.788	1.031	1.312	1.634	1.997	0.644	0.671	0.96		67	36
					38	0.489	0.675	0.894	1.148	1.439	1.769							
					43	0.414	0.582	0.780	1.010	1.275	1.577							
OP-LPQM048NT	114X3225	P00	NTZ048-5	G	27	0.771	1.090	1.478	1.931	2.446	3.018	3.641						
					32	0.655	0.948	1.303	1.718	2.191	2.717	3.291	1.053	0.950	1.11		69	38
					38	0.529	0.790	1.105	1.475	1.896	2.366	2.880						
					43	0.433	0.667	0.950	1.281	1.660	2.082	2.545						
OP-LPQM048NT	114X3233	P00	NTZ048-4	E	27	0.778	1.076	1.438	1.860	2.340	2.873	3.454						
					32	0.679	0.947	1.273	1.655	2.092	2.579	3.112	1.054	0.981	1.07		69	38
					38	0.572	0.805	1.089	1.424	1.809	2.241	2.716						
					43	0.491	0.695	0.945	1.242	1.584	1.969	2.396						
OP-LPQM068NT	114X3241	P00	NTZ068-5	G	27	1.241	1.667	2.151	2.688	3.273	3.897	4.550						
					32	1.052	1.447	1.895	2.392	2.932	3.508	4.110	1.619	1.627	1.00		70	39
					38	0.833	1.192	1.597	2.045	2.530	3.047	3.586						
					43	0.659	0.987	1.355	1.762	2.201	2.668	3.153						
OP-LPQM074FH	114X3252	P00	FH2511Z	G	27	1.062	1.511	2.037	2.641	3.324	4.085	4.919						
					32	0.889	1.310	1.801	2.365	3.003	3.713	4.492	1.458	1.539	0.95		69	38
					38	1.070	1.518	2.033	2.614	3.262	3.975							
					43	0.874	1.286	1.757	2.290	2.886	3.542							
OP-LPQM074FH	114X3253	P00	TFH2511Z	E	27	1.001	1.415	1.897	2.442	3.044	3.695	4.384						
					32	0.841	1.221	1.664	2.166	2.722	3.324	3.964	1.362	1.390	0.98		69	38
					38	1.003	1.398	1.848	2.347	2.890	3.467							
					43	0.835	1.190	1.595	2.045	2.536	3.059							
OP-LPQM068NT	114X3249	P00	NTZ068-4	E	27	1.215	1.655	2.158	2.712	3.299	3.898	4.484						
					32	1.056	1.459	1.918	2.421	2.952	3.491	4.014	1.632	1.404	1.16		70	39
					38	0.864	1.223	1.629	2.070	2.534	3.000	3.446						
					43	0.708	1.028	1.388	1.778	2.184	2.588	2.969						
OP-LPQM096NT	114X3357	P00	NTZ096-4	E	27	1.487	2.022	2.651	3.363	4.142	4.972	5.836						
					32	1.289	1.773	2.344	2.990	3.699	4.454	5.241	1.984	1.863	1.07		72	41
					38	1.063	1.484	1.982	2.549	3.173	3.838	4.532						
					43	0.887	1.253	1.691	2.190	2.741	3.330	3.943						
OP-LPQM136NT	114X3365	P00	NTZ136-4	E	27	2.700	3.657	4.822	6.198	7.785	9.578	11.566						
					32	2.380	3.243	4.298	5.548	6.997	8.640	10.472	3.602	2.975	1.21	1.63	73	42
					38	2.025	2.779	3.703	4.804	6.086	7.550	9.193						
					43	1.751	2.417	3.234	4.211	5.355	6.669	8.154						
OP-LPQM215LL	114X3476	P00	LLZ024T4	E	27	3.619	4.605	5.778	7.161	8.770	10.623	12.731						
					32	3.345	4.266	5.360	6.650	8.154	9.889	11.869	4.746	3.940	1.20	1.67	78	47
					38	3.005	3.841	4.834	6.005	7.376	8.963	10.784						
					43	2.712	3.472	4.374	5.442	6.696	8.155	9.837						
OP-LPQM271LL	114X3482	P00	LLZ034T4	E	27	5.186	6.570	8.201	10.101	12.287	14.769	17.551						
					32	4.780	6.066	7.578	9.340	11.369	13.678	16.274	6.782	5.457	1.24	1.74	78	47
					38	4.278	5.437	6.798	8.385	10.217	12.310	14.673						
					43	3.847	4.893	6.120	7.553	9.214	11.119	13.281						

LBP

(1) G - Compressor 230V/1~/50Hz, fan 230V/1~/50Hz
 E - Compressor 400V/3~/50Hz, fan 230V/1~/50Hz

(2) Nominal conditions (EN13215), Evaporating temperatures at dew point, Superheat 10K, Subcooling 0K

(3) Rated conditions (EN13215), Evaporating temperature (dew point) -35°C, Ambient air temperature +32°C, Return Gas Temperature 20°C, Subcooling 0K

SEPR, Seasonal Energy Performance Ratio

Q [kW], Cooling Capacity

P [kW], Power Input



For regular updates and detailed capacities, please refer to **Coolselector®2** software



Model	Code	Version	Compressor	Electrical code (1)	Tamb [°C]	Cooling capacity Q [kW] (2)							EcoDesign (3)				Sound power level dB(A)	Sound pressure level 10 m dB(A)			
						Te [°C]							Q [kW]	P [kW]	COP	SEPR					
						-40°C	-35°C	-30°C	-25°C	-20°C	-15°C	-10°C									
OP-LPQM017MP	114X3118	P00	MPT16LA	G	27		0.535	0.710	0.903	1.115	1.345	1.594									
					32		0.480	0.638	0.816	1.013	1.228	1.463	0.540	0.504	1.07		60	29			
					38		0.413	0.553	0.712	0.890	1.088	1.305									
					43		0.359	0.483	0.626	0.789	0.971	1.173									
OP-LPQM026AJ	114X3216	P00	CAJ2446Z	G	27	0.526	0.732	0.978	1.268	1.606	1.993	2.432									
					32	0.455	0.645	0.872	1.140	1.451	1.809	2.216	0.724	0.715	1.01		67	36			
					38	0.371	0.541	0.745	0.985	1.265	1.588	1.957									
					43	0.457	0.641	0.857	1.111	1.404	1.739										
OP-LPQM048NT	114X3225	P00	NTZ048-5	G	27	0.776	1.134	1.568	2.083	2.677	3.349	4.098									
					32	0.651	0.981	1.381	1.853	2.398	3.017	3.706	1.104	1.097	1.01		69	38			
					38	0.501	0.798	1.155	1.576	2.062	2.615	3.232									
					43	0.381	0.647	0.968	1.345	1.782	2.279	2.836									
OP-LPQM048NT	114X3233	P00	NTZ048-4	E	27	0.783	1.143	1.572	2.072	2.645	3.290	4.007									
					32	0.670	1.000	1.392	1.849	2.371	2.960	3.615	1.126	0.997	1.13		69	38			
					38	0.536	0.831	1.179	1.583	2.044	2.565	3.147									
					43	0.427	0.692	1.003	1.363	1.775	2.240	2.760									
OP-LPQM074FH	114X3253	P00	TFH2511Z	E	27	1.177	1.670	2.254	2.931	3.695	4.543	5.468									
					32	0.985	1.434	1.969	2.588	3.291	4.074	4.931	1.620	1.514	1.07		69	38			
					38	0.776	1.173	1.646	2.197	2.825	3.528	4.301									
					43	0.620	0.972	1.394	1.887	2.452	3.087	3.789									
OP-LPQM074FH	114X3252	P00	FH2511Z	G	27	1.176	1.664	2.235	2.890	3.630	4.455	5.361									
					32	0.983	1.439	1.971	2.580	3.268	4.034	4.877	1.627	1.662	0.98		69	38			
					38	0.756	1.172	1.655	2.207	2.831	3.526	4.292									
					43	0.573	0.955	1.395	1.899	2.468	3.102	3.803									
OP-LPQM068NT	114X3241	P00	NTZ068-5	G	27	1.332	1.793	2.348	2.994	3.730	4.548	5.440									
					32	1.189	1.608	2.110	2.694	3.358	4.098	4.905	1.826	1.730	1.06		70	39			
					38	1.017	1.388	1.828	2.338	2.918	3.564	4.270									
					43	0.873	1.205	1.594	2.044	2.554	3.123	3.745									
OP-LPQM068NT	114X3249	P00	NTZ068-4	E	27	1.359	1.860	2.443	3.107	3.852	4.672	5.563									
					32	1.172	1.629	2.162	2.770	3.451	4.204	5.024	1.845	1.613	1.14		70	39			
					38	0.967	1.374	1.846	2.386	2.991	3.662	4.394									
					43	0.812	1.177	1.599	2.081	2.623	3.225	3.883									
OP-LPQM096NT	114X3357	P00	NTZ096-4	E	27	1.480	2.019	2.667	3.418	4.262	5.184	6.164									
					32	1.262	1.752	2.340	3.023	3.791	4.631	5.527	1.988	1.951	1.02		72	41			
					38	1.003	1.432	1.948	2.549	3.226	3.969	4.763									
					43	0.794	1.171	1.627	2.158	2.760	3.421	4.130									
OP-LPQM136NT	114X3365	P00	NTZ136-4	E	27	2.549	3.477	4.594	5.909	7.428	9.150	11.073									
					32	2.214	3.068	4.094	5.301	6.696	8.282	10.056	3.468	3.128	1.11	1.60	73	42			
					38	1.821	2.584	3.498	4.575	5.821	7.240	8.834									
					43	1.503	2.188	3.008	3.974	5.094	6.373	7.814									
OP-LPQM215LL	114X3476	P00	LLZ024T4	E	27	3.997	5.083	6.389	7.930	9.719	11.763	14.068									
					32	3.676	4.687	5.893	7.312	8.958	10.839	12.963	5.313	4.264	1.25	1.71	78	47			
					38	3.273	4.188	5.271	6.540	8.010	9.692	11.597									
					43	2.920	3.750	4.727	5.867	7.188	8.702	10.421									
OP-LPQM271LL	114X3482	P00	LLZ034T4	E	27	5.429	6.821	8.466	10.379	12.568	15.038	17.788									
					32	4.953	6.244	7.754	9.498	11.490	13.737	16.242	7.114	5.791	1.23	1.81	78	47			
					38	4.337	5.503	6.848	8.390	10.143	12.121	14.332									
					43	3.776	4.836	6.042	7.412	8.967	10.719	12.683									

LBP
(1) G - Compressor 230V/1~/50Hz, fan 230V/1~/50Hz

E - Compressor 400V/3~/50Hz, fan 230V/1~/50Hz

(2) Nominal conditions (EN13215), Evaporating temperatures at dew point, Superheat 10K, Subcooling 0K

(3) Rated conditions (EN13215), Evaporating temperature (dew point) -35°C, Ambient air temperature +32°C, Return Gas Temperature 20°C, Subcooling 0K

SEPR, Seasonal Energy Performance Ratio

Q [kW], Cooling Capacity

P [kW], Power Input


For regular updates and detailed capacities, please refer to **Coolselector®2** software


Model	Code	Version	Compressor	Electrical code (1)	Tamb [°C]	Cooling capacity Q [kW] (2)							EcoDesign (3)				Sound power level dB(A)	Sound pressure level 10 m dB(A)		
						Te [°C]							Q [kW]	P [kW]	COP	SEPR				
						-15°C	-10°C	-5°C	0°C	5°C	10°C	15°C								
OP-MPGM033AJ	114X4220	P00	CAJ4511Y	G	27	1.444	1.835	2.280	2.786	3.353	3.984	4.678								
					32	1.326	1.699	2.122	2.601	3.138	3.736	4.394	1.740	0.849	2.05		67	36		
					38	1.180	1.531	1.927	2.373	2.873	3.430	4.045								
					43	1.058	1.389	1.761	2.180	2.649	3.171	3.749								
OP-MPXM034ML	114X4264	P00	MLZ015T4	E	27	1.817	2.286	2.834	3.467	4.188	5.001	5.907								
					32	1.716	2.162	2.685	3.290	3.980	4.761	5.632	2.216	0.983	2.25		68	37		
					38	1.597	2.012	2.502	3.071	3.723	4.462	5.290								
					43	1.499	1.886	2.346	2.883	3.502	4.205	4.995								
OP-MPXM034ML	114X4261	P00	MLZ015T5	G	27	1.822	2.321	2.883	3.513	4.218	5.003	5.876								
					32	1.711	2.189	2.730	3.339	4.023	4.788	5.639	2.244	1.033	2.17		68	37		
					38	1.580	2.026	2.536	3.115	3.770	4.504	5.324								
					43	1.476	1.890	2.369	2.919	3.544	4.250	5.041								
OP-MPXM046ML	114X4284	P00	MLZ021T4	E	27	2.478	3.090	3.817	4.660	5.618	6.691	7.875								
					32	2.339	2.922	3.614	4.418	5.333	6.358	7.490	2.998	1.289	2.33		68	37		
					38	2.167	2.713	3.363	4.118	4.979	5.945	7.014								
					43	2.021	2.535	3.147	3.860	4.674	5.591	6.606								
OP-MPXM046ML	114X4281	P00	MLZ021T5	G	27	2.465	3.114	3.854	4.690	5.626	6.665	7.811								
					32	2.317	2.933	3.641	4.446	5.350	6.358	7.473	3.010	1.451	2.07		68	37		
					38	2.143	2.710	3.372	4.133	4.994	5.959	7.030								
					43	2.006	2.524	3.142	3.859	4.679	5.603	6.633								
OP-MPXM057ML	114X4293	P00	MLZ026T4	E	27	2.988	3.749	4.629	5.632	6.762	8.020	9.405								
					32	2.811	3.536	4.375	5.331	6.409	7.610	8.932	3.633	1.591	2.28		68	37		
					38	2.596	3.276	4.062	4.959	5.972	7.101	8.346								
					43	2.416	3.055	3.795	4.641	5.596	6.664	7.843								
OP-MPXM057ML	114X4290	P00	MLZ026T5	G	27	2.981	3.762	4.649	5.647	6.760	7.991	9.345								
					32	2.805	3.540	4.384	5.339	6.409	7.597	8.905	3.639	1.914	1.90		68	37		
					38	2.601	3.271	4.052	4.947	5.958	7.088	8.337								
					43	2.443	3.048	3.770	4.608	5.564	6.638	7.833								

MBP
(1) G - Compressor 230V/1~/50Hz, fan 230V/1~/50Hz

E - Compressor 400V/3~/50Hz, fan 230V/1~/50Hz

(2) Nominal conditions (EN13215), Evaporating temperatures at dew point, Superheat 10K, Subcooling 0K

(3) Rated conditions (EN13215), Evaporating temperature (dew point) -10°C, Ambient air temperature +32°C, Return Gas Temperature 20°C, Subcooling 0K

SEPR, Seasonal Energy Performance Ratio

Q [kW], Cooling Capacity

P [kW], Power Input

This table continues on the next page


For regular updates and detailed capacities, please refer to **Coolselector®2** software


Model	Code	Version	Compressor	Electrical code (1)	Tamb [°C]	Cooling capacity Q [kW] (2)							EcoDesign (3)				Sound power level dB(A)	Sound pressure level 10 m dB(A)		
						Te [°C]							Q [kW]	P [kW]	COP	SEPR				
						-15°C	-10°C	-5°C	0°C	5°C	10°C	15°C								
OP-MPXM068ML	114X4311	P00	MLZ030T4	E	27	3.686	4.631	5.738	7.016	8.470	10.104	11.920								
					32	3.484	4.382	5.437	6.657	8.048	9.614	11.357	4.493	1.897	2.37			69	38	
					38	3.240	4.078	5.066	6.213	7.524	9.005	10.657								
					43	3.037	3.820	4.748	5.831	7.073	8.480	10.053								
OP-MPXM068ML	114X4308	P00	MLZ030T5	G	27	3.786	4.657	5.752	7.035	8.471	10.032	11.692								
					32	3.642	4.426	5.449	6.672	8.059	9.581	11.211	4.540	2.184	2.08			69	38	
					38	3.479	4.146	5.072	6.214	7.534	9.001	10.586								
					43	3.356	3.915	4.751	5.817	7.073	8.487	10.029								
OP-MPXM080ML	114X4324	P00	MLZ038T4	E	27	4.283	5.388	6.667	8.129	9.782	11.630	13.673								
					32	4.029	5.086	6.307	7.704	9.282	11.048	13.001	5.220	2.308	2.26	3.43	69	38		
					38	3.718	4.713	5.863	7.176	8.663	10.326	12.170								
					43	3.454	4.396	5.482	6.724	8.130	9.707	11.457								
OP-MPXM080ML	114X4321	P00	MLZ038T5	G	27	4.250	5.469	6.787	8.230	9.821	11.578	13.518								
					32	3.953	5.136	6.411	7.803	9.334	11.025	12.892	5.271	2.438	2.16	3.03	69	38		
					38	3.566	4.705	5.926	7.255	8.715	10.327	12.107								
					43	3.225	4.325	5.500	6.776	8.176	9.721	11.429								
OP-MPXM108ML	114X4344	P00	MLZ048T4	E	27	5.637	7.050	8.708	10.601	12.721	15.056	17.592								
					32	5.298	6.641	8.223	10.033	12.062	14.299	16.730	6.819	2.840	2.40	3.74	75	44		
					38	4.889	6.140	7.620	9.323	11.236	13.349	15.649								
					43	4.548	5.714	7.104	8.709	10.520	12.525	14.711								
OP-MPXM125ML	114X4414	P00	MLZ058T4	E	27	6.778	8.475	10.421	12.628	15.107	17.864	20.905								
					32	6.346	7.978	9.843	11.956	14.327	16.964	19.874	8.189	3.677	2.23	3.40	77	46		
					38	5.815	7.364	9.130	11.125	13.363	15.853	18.604								
					43	5.363	6.841	8.519	10.414	12.539	14.904	17.519								
OP-MPXM162ML	114X4434	P00	MLZ076T4	E	27	8.698	10.884	13.393	16.234	19.416	22.943	26.820								
					32	8.169	10.246	12.638	15.353	18.399	21.782	25.505	10.523	4.681	2.25	3.46	77	46		
					38	7.544	9.476	11.714	14.265	17.136	20.335	23.866								
					43	7.035	8.834	10.931	13.335	16.052	19.089	22.451								

MBP
(1) G - Compressor 230V/1~/50Hz, fan 230V/1~/50Hz

E - Compressor 400V/3~/50Hz, fan 230V/1~/50Hz

(2) Nominal conditions (EN13215), Evaporating temperatures at dew point, Superheat 10K, Subcooling 0K

(3) Rated conditions (EN13215), Evaporating temperature (dew point) -10°C, Ambient air temperature +32°C, Return Gas Temperature 20°C, Subcooling 0K

SEPR, Seasonal Energy Performance Ratio

Q [kW], Cooling Capacity

P [kW], Power Input


For regular updates and detailed capacities, please refer to **Coolselector®2** software


Model	Code	Version	Compressor	Electrical code (1)	Tamb [°C]	Cooling capacity Q [kW] (2)							EcoDesign (3)				Sound power level dB(A)	Sound pressure level 10 m dB(A)	
						Te [°C]							Q [kW]	P [kW]	COP	SEPR			
						-20°C	-15°C	-10°C	-5°C	0°C	5°C	10°C							
OP-MPXM034ML	114X4264	P00	MLZ015T4	E	27	2.372	2.942	3.595	4.338	5.175	6.110	7.142							
					32	2.193	2.731	3.348	4.050	4.843	5.729	6.711	3.409	1.647	2.07		68	37	
					38	1.965	2.464	3.035	3.685	4.422	5.248	6.169							
					43		2.229	2.759	3.365	4.053	4.828	5.696							
OP-MPXM034ML	114X4261	P00	MLZ015T5	G	27	2.36	2.934	3.592	4.340	5.182	6.120	7.153							
					32	2.195	2.736	3.356	4.061	4.856	5.743	6.725	3.418	1.604	2.13		68	37	
					38	1.992	2.491	3.063	3.715	4.451	5.277	6.194							
					43		2.283	2.812	3.416	4.102	4.875	5.737							
OP-MPXM046ML	114X4284	P00	MLZ021T4	E	27	3.178	3.933	4.791	5.759	6.840	8.035	9.343							
					32	2.93	3.640	4.446	5.355	6.372	7.499	8.738	4.535	2.237	2.03		68	37	
					38	2.622	3.274	4.014	4.850	5.788	6.832	7.985							
					43		2.957	3.639	4.411	5.281	6.254	7.335							
OP-MPXM046ML	114X4281	P00	MLZ021T5	G	27	3.182	3.942	4.809	5.791	6.890	8.108	9.445							
					32	2.949	3.663	4.477	5.400	6.437	7.589	8.858	4.568	2.352	1.94		68	37	
					38	2.665	3.318	4.065	4.914	5.871	6.941	8.127							
					43		3.025	3.713	4.496	5.384	6.382	7.495							
OP-MPXM057ML	114X4293	P00	MLZ026T4	E	27	3.811	4.724	5.742	6.868	8.104	9.450	10.901							
					32	3.473	4.333	5.289	6.345	7.506	8.770	10.138	5.406	2.940	1.84	3.15	68	37	
					38	3.048	3.841	4.718	5.688	6.754	7.919	9.186							
					43		3.412	4.221	5.114	6.099	7.179	8.360							
OP-MPXM057ML	114X4290	P00	MLZ026T5	G	27	3.863	4.769	5.790	6.932	8.193	9.572	11.064							
					32	3.561	4.404	5.354	6.416	7.593	8.883	10.284	5.475	3.082	1.78	2.93	68	37	
					38	3.185	3.945	4.803	5.766	6.836	8.016	9.306							
					43		3.548	4.323	5.197	6.175	7.260	8.454							
OP-MPXM068ML	114X4308	P00	MLZ030T5	G	27	4.812	5.958	7.265	8.744	10.404	12.248	14.278							
					32	4.447	5.529	6.761	8.157	9.726	11.473	13.403	6.890	3.266	2.11	3.30	69	38	
					38	3.993	4.993	6.132	7.424	8.879	10.507	12.313							
					43		4.531	5.587	6.788	8.146	9.671	11.373							
OP-MPXM068ML	114X4311	P00	MLZ030T4	E	27	4.86	5.997	7.295	8.767	10.419	12.259	14.287							
					32	4.485	5.559	6.783	8.172	9.734	11.476	13.402	6.911	3.138	2.20	3.48	69	38	
					38	4.012	5.003	6.134	7.418	8.867	10.490	12.292							
					43		4.516	5.564	6.757	8.109	9.629	11.326							
OP-MPXM080ML	114X4321	P00	MLZ038T5	G	27	5.554	6.850	8.310	9.943	11.753	13.739	15.900							
					32	5.167	6.388	7.759	9.290	10.988	12.855	14.891	7.919	3.985	1.99	3.07	69	38	
					38	4.68	5.803	7.062	8.467	10.027	11.747	13.631							
					43		5.292	6.452	7.747	9.188	10.783	12.539							
OP-MPXM080ML	114X4324	P00	MLZ038T4	E	27	5.654	6.949	8.417	10.066	11.901	13.922	16.126							
					32	5.214	6.433	7.812	9.361	11.088	12.995	15.081	7.969	3.716	2.14	3.49	69	38	
					38	4.667	5.786	7.053	8.479	10.073	11.838	13.779							
					43		5.227	6.395	7.714	9.192	10.836	12.654							
OP-MPXM108ML	114X4344	P00	MLZ048T4	E	27	7.357	9.067	10.997	13.154	15.541	18.156	20.992							
					32	6.775	8.377	10.182	12.201	14.439	16.897	19.572	10.403	5.300	1.96	3.31	75	44	
					38	6.05	7.513	9.161	11.008	13.061	15.326	17.804							
					43		6.764	8.274	9.971	11.865	13.964	16.275							
OP-MPXM125ML	114X4414	P00	MLZ058T4	E	27	8.752	10.784	13.088	15.678	18.560	21.734	25.194							
					32	8.094	10.001	12.160	14.589	17.297	20.286	23.558	12.411	5.856	2.12	3.42	77	46	
					38	7.275	9.018	10.993	13.220	15.711	18.474	21.514							
					43		8.166	9.979	12.030	14.333	16.901	19.744							
OP-MPXM162ML	114X4434	P00	MLZ076T4	E	27	10.583	13.218	16.207	19.567	23.303	27.413	31.890							
					32	9.654	12.132	14.943	18.105	21.627	25.514	29.760	15.258	7.988	1.91	3.13	77	46	
					38	8.496	10.769	13.351	16.263	19.520	23.128	27.093							
					43		9.587	11.965	14.658	17.683	21.051	24.775							

MBP
(1) G - Compressor 230V/1~/50Hz, fan 230V/1~/50Hz

E - Compressor 400V/3~/50Hz, fan 230V/1~/50Hz

(2) Nominal conditions (EN13215), Evaporating temperatures at dew point, Superheat 10K, Subcooling 0K

(3) Rated conditions (EN13215), Evaporating temperature (dew point) -10°C, Ambient air temperature +32°C, Return Gas Temperature 20°C, Subcooling 0K

SEPR, Seasonal Energy Performance Ratio

Q [kW], Cooling Capacity

P [kW], Power Input


 For regular updates and detailed capacities, please refer to **Coolselector®2** software


Model	Code	Version	Compressor	Electrical code (1)	Tamb [°C]	Cooling capacity Q [kW] (2)							EcoDesign (3)				Sound power level dB(A)	Sound pressure level 10 m dB(A)
						Te [°C]							Q [kW]	P [kW]	COP	SEPR		
						-20°C	-15°C	-10°C	-5°C	0°C	5°C	10°C						
OP-MPYM008MY	114X4119	P00	MLY80RAb	G	27	0.632	0.822	1.025	1.240	1.467	1.704							
					32	0.574	0.749	0.937	1.138	1.351	1.574	0.760	0.393	1.93		60	29	
					38	0.504	0.661	0.831	1.015	1.211	1.419							
					43	0.447	0.588	0.744	0.913	1.095	1.290							
OP-MPYM009MY	114X4120	P00	MLY90RAb	G	27	0.668	0.878	1.098	1.327	1.566	1.813							
					32	0.609	0.801	1.004	1.217	1.441	1.673	0.813	0.430	1.89		61	30	
					38	0.540	0.710	0.892	1.086	1.290	1.504							
					43	0.482	0.635	0.800	0.976	1.164	1.364							
OP-MPYM012MP	114X4121	P00	MPT12RA	G	27	0.930	1.198	1.478	1.768	2.067	2.373							
					32	0.848	1.095	1.353	1.623	1.902	2.191	1.112	0.589	1.89		63	32	
					38	0.751	0.971	1.204	1.449	1.705	1.972							
					43	0.670	0.868	1.080	1.304	1.541	1.790							
OP-MPYM014MP	114X4122	P00	MPT14RA	G	27	0.978	1.251	1.544	1.859	2.193	2.546							
					32	0.896	1.147	1.421	1.716	2.032	2.367	1.166	0.729	1.60		60	29	
					38	0.799	1.024	1.273	1.544	1.838	2.153							
					43	0.718	0.922	1.150	1.401	1.676	1.974							
OP-MPYM018AJ	114X4230	P00	CAJ9510Z	G	27	0.932	1.233	1.594	2.022	2.527	3.114	3.791						
					32	0.854	1.134	1.469	1.868	2.339	2.889	3.524	1.491	0.781	1.91		67	36
					38	1.015	1.321	1.685	2.117	2.622	3.209							
					43	0.916	1.199	1.535	1.934	2.404	2.950							
OP-MPYM024AJ	114X4200	P00	CAJ9513Z	G	27	1.153	1.549	2.021	2.577	3.222	3.960	4.796						
					32	1.041	1.409	1.847	2.363	2.964	3.655	4.439	1.876	0.902	2.08		67	36
					38	1.244	1.643	2.113	2.663	3.297	4.021							
					43	1.107	1.475	1.909	2.417	3.006	3.679							
OP-MPYM026AJ	114X4212	P00	CAJ4517Z	G	27	1.321	1.737	2.227	2.802	3.469	4.235	5.103						
					32	1.203	1.591	2.047	2.582	3.205	3.923	4.739	2.080	1.009	2.06		67	36
					38	1.416	1.833	2.323	2.894	3.554	4.309							
					43	1.271	1.657	2.109	2.638	3.252	3.956							
OP-MPYM026AJ	114X4213	P00	TAJ4517Z	E	27	1.298	1.730	2.233	2.819	3.495	4.268	5.144						
					32	1.169	1.575	2.048	2.597	3.232	3.960	4.785	2.081	1.059	1.97		67	36
					38	1.388	1.824	2.330	2.917	3.590	4.356							
					43	1.231	1.637	2.109	2.654	3.283	4.000							

MBP
(1) G - Compressor 230V/1~/50Hz, fan 230V/1~/50Hz

E - Compressor 400V/3~/50Hz, fan 230V/1~/50Hz

(2) Nominal conditions (EN13215), Evaporating temperatures at dew point, Superheat 10K, Subcooling 0K

(3) Rated conditions (EN13215), Evaporating temperature (dew point) -10°C, Ambient air temperature +32°C, Return Gas Temperature 20°C, Subcooling 0K

SEPR, Seasonal Energy Performance Ratio

Q [kW], Cooling Capacity

P [kW], Power Input

This table continues on the next page


For regular updates and detailed capacities, please refer to **Coolselector®2** software


Model	Code	Version	Compressor	Electrical code (1)	T _{amb} [°C]	Cooling capacity Q [kW] (2)							EcoDesign (3)				Sound power level dB(A)	Sound pressure level 10 m dB(A)	
						T _e [°C]							Q [kW]	P [kW]	COP	SEPR			
						-20°C	-15°C	-10°C	-5°C	0°C	5°C	10°C							
OP-MPYM034AJ	114X4227	P00	TAJ4519Z	E	27	1.657	2.175	2.778	3.474	4.273	5.179	6.195							
					32	1.51	1.997	2.561	3.213	3.962	4.812	5.768	2.606	1.346	1.94		67	36	
					38		1.781	2.302	2.903	3.592	4.378	5.263							
					43		1.599	2.086	2.645	3.287	4.019	4.846							
OP-MPYM034AJ	114X4226	P00	CAJ4519Z	G	27	1.65	2.185	2.805	3.521	4.340	5.269	6.309							
					32	1.498	2.000	2.581	3.251	4.018	4.889	5.866	2.627	1.416	1.86		67	36	
					38		1.776	2.310	2.925	3.630	4.431	5.333							
					43		1.588	2.083	2.652	3.306	4.050	4.889							
OP-MPXM034ML	114X4264	P00	MLZ015T4	E	27	2.367	2.937	3.590	4.334	5.172	6.108	7.142							
					32	2.187	2.726	3.343	4.046	4.839	5.727	6.711	3.409	1.647	2.07		68	37	
					38	1.96	2.458	3.029	3.681	4.418	5.246	6.169							
					43		2.224	2.754	3.360	4.049	4.826	5.696							
OP-MPXM034ML	114X4261	P00	MLZ015T5	G	27	2.355	2.929	3.587	4.336	5.179	6.118	7.153							
					32	2.189	2.731	3.351	4.057	4.852	5.741	6.725	3.418	1.604	2.13		68	37	
					38	1.987	2.486	3.058	3.710	4.447	5.274	6.194							
					43		2.277	2.807	3.412	4.098	4.872	5.737							
OP-MPXM046ML	114X4284	P00	MLZ021T4	E	27	3.171	3.926	4.785	5.753	6.835	8.032	9.343							
					32	2.923	3.633	4.439	5.349	6.367	7.497	8.738	4.535	2.237	2.03		68	37	
					38	2.615	3.267	4.007	4.843	5.783	6.829	7.985							
					43		2.950	3.632	4.405	5.276	6.251	7.335							
OP-MPXM046ML	114X4281	P00	MLZ021T5	G	27	3.175	3.935	4.802	5.785	6.885	8.106	9.445							
					32	2.942	3.655	4.470	5.394	6.432	7.586	8.858	4.568	2.352	1.94		68	37	
					38	2.657	3.311	4.058	4.908	5.866	6.938	8.127							
					43		3.018	3.705	4.490	5.379	6.379	7.495							
OP-MPXM057ML	114X4293	P00	MLZ026T4	E	27	3.803	4.716	5.734	6.861	8.099	9.446	10.901							
					32	3.464	4.325	5.281	6.338	7.500	8.767	10.138	5.406	2.940	1.84	3.15	68	37	
					38	3.04	3.832	4.710	5.680	6.748	7.916	9.186							
					43		3.403	4.213	5.107	6.093	7.176	8.360							
OP-MPXM057ML	114X4290	P00	MLZ026T5	G	27	3.855	4.760	5.782	6.924	8.188	9.569	11.064							
					32	3.553	4.395	5.345	6.409	7.587	8.880	10.284	5.475	3.082	1.78	2.93	68	37	
					38	3.176	3.936	4.795	5.758	6.830	8.013	9.306							
					43		3.539	4.315	5.190	6.169	7.257	8.454							

MBP
(1) G - Compressor 230V/1~/50Hz, fan 230V/1~/50Hz

E - Compressor 400V/3~/50Hz, fan 230V/1~/50Hz

(2) Nominal conditions (EN13215), Evaporating temperatures at dew point, Superheat 10K, Subcooling 0K

(3) Rated conditions (EN13215), Evaporating temperature (dew point) -10°C, Ambient air temperature +32°C, Return Gas Temperature 20°C, Subcooling 0K

SEPR, Seasonal Energy Performance Ratio

Q [kW], Cooling Capacity

P [kW], Power Input

This table continues on the next page


For regular updates and detailed capacities, please refer to **Coolselector®2** software


Model	Code	Version	Compressor	Electrical code (1)	T _{amb} [°C]	Cooling capacity Q [kW] (2)							EcoDesign (3)				Sound power level dB(A)	Sound pressure level 10 m dB(A)
						T _e [°C]							Q [kW]	P [kW]	COP	SEPR		
						-20°C	-15°C	-10°C	-5°C	0°C	5°C	10°C						
OP-MPXM068ML	114X4308	P00	MLZ030T5	G	27	4.802	5.948	7.255	8.735	10.397	12.244	14.278	6.890	3.266	2.11	3.30	69	38
					32	4.436	5.518	6.751	8.148	9.719	11.469	13.403						
					38	3.983	4.982	6.121	7.414	8.872	10.503	12.313						
					43		4.520	5.577	6.779	8.139	9.667	11.373						
OP-MPXM068ML	114X4311	P00	MLZ030T4	E	27	4.849	5.986	7.285	8.758	10.412	12.255	14.287	6.911	3.138	2.20	3.48	69	38
					32	4.475	5.548	6.773	8.163	9.727	11.472	13.402						
					38	4.001	4.992	6.123	7.409	8.860	10.486	12.292						
					43		4.505	5.553	6.748	8.102	9.625	11.326						
OP-MPXM080ML	114X4321	P00	MLZ038T5	G	27	5.542	6.838	8.298	9.933	11.744	13.735	15.900	7.919	3.985	1.99	3.07	69	38
					32	5.155	6.375	7.747	9.279	10.980	12.850	14.891						
					38	4.667	5.790	7.049	8.456	10.018	11.742	13.631						
					43		5.279	6.439	7.736	9.180	10.778	12.539						
OP-MPXM080ML	114X4324	P00	MLZ038T4	E	27	5.641	6.937	8.405	10.056	11.893	13.917	16.126	7.969	3.716	2.14	3.49	69	38
					32	5.202	6.420	7.800	9.351	11.080	12.990	15.081						
					38	4.654	5.774	7.041	8.469	10.064	11.833	13.779						
					43		5.214	6.383	7.703	9.183	10.832	12.654						
OP-MPXM108ML	114X4344	P00	MLZ048T4	E	27	7.341	9.051	10.981	13.140	15.530	18.149	20.992	10.403	5.300	1.96	3.31	75	44
					32	6.758	8.360	10.166	12.187	14.428	16.891	19.572						
					38	6.033	7.496	9.145	10.994	13.050	15.319	17.804						
					43		6.748	8.258	9.957	11.854	13.958	16.275						
OP-MPXM125ML	114X4414	P00	MLZ058T4	E	27	8.733	10.765	13.070	15.662	18.547	21.726	25.194	12.411	5.856	2.12	3.42	77	46
					32	8.075	9.981	12.142	14.573	17.284	20.279	23.558						
					38	7.255	8.998	10.974	13.204	15.698	18.466	21.514						
					43		8.146	9.960	12.013	14.320	16.893	19.744						
OP-MPXM162ML	114X4434	P00	MLZ076T4	E	27	10.56	13.195	16.185	19.547	23.287	27.404	31.890	15.258	7.988	1.91	3.13	77	46
					32	9.631	12.108	14.920	18.084	21.611	25.504	29.760						
					38	8.473	10.745	13.328	16.243	19.504	23.119	27.093						
					43		9.564	11.942	14.638	17.667	21.042	24.775						

MBP
(1) G - Compressor 230V/1~/50Hz, fan 230V/1~/50Hz

E - Compressor 400V/3~/50Hz, fan 230V/1~/50Hz

(2) Nominal conditions (EN13215), Evaporating temperatures at dew point, Superheat 10K, Subcooling 0K

(3) Rated conditions (EN13215), Evaporating temperature (dew point) -10°C, Ambient air temperature +32°C, Return Gas Temperature 20°C, Subcooling 0K

SEPR, Seasonal Energy Performance Ratio

Q [kW], Cooling Capacity

P [kW], Power Input


For regular updates and detailed capacities, please refer to **Coolselector®2** software


Model	Code	Version	Compressor	Electrical code (1)	Tamb [°C]	Cooling capacity Q [kW] (2)							EcoDesign (3)				Sound power level dB(A)	Sound pressure level 10 m dB(A)
						Te [°C]							Q [kW]	P [kW]	COP	SEPR		
						-20°C	-15°C	-10°C	-5°C	0°C	5°C	10°C						
OP-MPYM018AJ	114X4230	P00	CAJ9510Z	G	27	1.020	1.315	1.665	2.079	2.564	3.126	3.772	1.588	0.860	1.85		64	33
					32	0.928	1.202	1.526	1.910	2.360	2.884	3.487						
					38	-	-	1.358	1.705	2.114	2.591	3.142						
					43	-	-	1.216	1.533	1.907	2.345	2.852						
OP-MPYM024AJ	114X4200	P00	CAJ9513Z	G	27	-	1.649	2.109	2.647	3.267	3.974	-	1.995	0.994	2.01		64	33
					32	-	1.491	1.916	2.413	2.988	3.645	-						
					38	-	1.302	1.685	2.134	2.655	3.252	-						
					43	-	1.143	1.493	1.902	2.377	2.924	-						
OP-MPYM026AJ	114X4212	P00	CAJ4517Z	G	27	1.442	1.848	2.322	2.876	3.515	4.246	5.071	2.210	1.113	1.99		67	36
					32	1.304	1.681	2.121	2.634	3.228	3.908	4.678						
					38	1.138	1.480	1.878	2.342	2.880	3.499	4.203						
					43	-	1.311	1.674	2.097	2.589	3.156	3.804						
OP-MPYM026AJ	114X4213	P00	TAJ4517Z	E	27	1.417	1.840	2.328	2.893	3.541	4.278	5.109	2.211	1.169	1.89		67	36
					32	1.267	1.664	2.122	2.649	3.253	3.943	4.721						
					38	1.085	1.450	1.868	2.349	2.902	3.532	4.246						
					43	-	1.270	1.654	2.096	2.603	3.184	3.843						
OP-MPYM034AJ	114X4227	P00	TAJ4519Z	E	27	1.797	2.297	2.873	3.534	4.286	5.133	6.077	2.746	1.490	1.84		68	37
					32	1.625	2.094	2.631	3.245	3.944	4.732	5.612						
					38	1.415	1.845	2.335	2.893	3.529	4.246	5.049						
					43	-	1.633	2.083	2.595	3.177	3.834	4.571						
OP-MPYM034AJ	114X4226	P00	CAJ4519Z	G	27	1.796	2.318	2.917	3.605	4.387	5.269	6.251	2.784	1.563	1.78		68	37
					32	1.619	2.107	2.666	3.305	4.031	4.851	5.766						
					38	1.403	1.849	2.357	2.935	3.594	4.338	5.171						
					43	-	1.631	2.094	2.621	3.222	3.901	4.663						
OP-MPXM034ML	114X4264	P00	MLZ015T4	E	27	2.543	3.128	3.789	4.528	5.345	6.239	7.205	3.532	1.596	2.21		69	38
					32	2.311	2.854	3.466	4.151	4.909	5.739	6.639						
					38	2.020	2.509	3.062	3.680	4.365	5.117	5.937						
					43	1.767	2.211	2.711	3.271	3.894	4.581	5.333						
OP-MPXM034ML	114X4261	P00	MLZ015T5	G	27	2.660	3.222	3.858	4.568	5.354	6.216	7.152	3.646	1.684	2.16		69	38
					32	2.461	2.983	3.575	4.238	4.973	5.781	6.664						
					38	2.214	2.688	3.227	3.831	4.505	5.249	6.065						
					43	2.003	2.436	2.929	3.485	4.106	4.796	5.557						
OP-MPXM046ML	114X4284	P00	MLZ021T4	E	27	3.493	4.224	5.044	5.951	6.942	8.014	9.159	4.761	2.224	2.14		69	38
					32	3.224	3.901	4.658	5.495	6.412	7.405	8.470						
					38	2.886	3.494	4.172	4.923	5.748	6.645	7.612						
					43	2.592	3.139	3.749	4.426	5.172	5.987	6.871						
OP-MPXM046ML	114X4281	P00	MLZ021T5	G	27	3.425	4.224	5.114	6.096	7.164	8.312	9.534	4.877	2.346	2.08		69	38
					32	3.194	3.940	4.768	5.678	6.667	7.730	8.862						
					38	2.885	3.562	4.310	5.130	6.021	6.980	8.005						
					43	2.602	3.217	3.894	4.637	5.444	6.315	7.250						

MBP
(1) G - Compressor 230V/1~/50Hz, fan 230V/1~/50Hz

E - Compressor 400V/3~/50Hz, fan 230V/1~/50Hz

(2) Nominal conditions (EN13215), Evaporating temperatures at dew point, Superheat 10K, Subcooling 0K

(3) Rated conditions (EN13215), Evaporating temperature (dew point) -10°C, Ambient air temperature +32°C, Return Gas Temperature 20°C, Subcooling 0K

* Preliminary data

SEPR, Seasonal Energy Performance Ratio

Q [kW], Cooling Capacity

P [kW], Power Input

This table continues on the next page


 For regular updates and detailed capacities, please refer to **Coolselector®2** software


Model	Code	Version	Compressor	Electrical code (1)	Tamb [°C]	Cooling capacity Q [kW] (2)							EcoDesign (3)				Sound power level dB(A)	Sound pressure level 10 m dB(A)	
						Te [°C]							Q [kW]	P [kW]	COP	SEPR			
						-20°C	-15°C	-10°C	-5°C	0°C	5°C	10°C							
OP-MPXM057ML	114X4290	P00	MLZ026T5	G	27	4.122	4.969	5.913	6.954	8.086	9.304	10.600							
					32	3.800	4.578	5.447	6.404	7.449	8.576	9.781	5.583	3.142	1.78	3.04	69	38	
					38	3.403	4.096	4.870	5.726	6.662	7.679	8.772							
					43	3.060	3.680	4.373	5.141	5.986	6.908	7.908							
OP-MPXM057ML	114X4293	P00	MLZ026T4	E	27	4.125	4.972	5.918	6.962	8.098	9.321	10.624							
					32	3.805	4.584	5.455	6.416	7.465	8.597	9.809	5.590	3.022	1.85	3.15	69	38	
					38	3.411	4.106	4.883	5.742	6.684	7.706	8.807							
					43	3.071	3.693	4.389	5.162	6.012	6.941	7.949							
OP-MPXM068ML	114X4308	P00	MLZ030T5	G	27	5.420	6.596	7.933	9.440	11.120	12.973	14.995							
					32	5.017	6.119	7.373	8.785	10.361	12.103	14.012	7.516	3.195	2.35	3.79	70	39	
					38	4.514	5.524	6.671	7.965	9.414	11.021	12.790							
					43	4.076	5.006	6.061	7.254	8.593	10.086	11.736							
OP-MPXM068ML	114X4311	P00	MLZ030T4	E	27	5.417	6.593	7.931	9.439	11.120	12.975	15.000							
					32	5.016	6.118	7.371	8.784	10.362	12.107	14.018	7.514	3.131	2.40	3.87	70	39	
					38	4.514	5.524	6.671	7.966	9.417	11.027	12.799							
					43	4.078	5.007	6.062	7.256	8.597	10.093	11.747							
OP-MPXM080ML	114X4321	P00	MLZ038T5	G	27	6.388	7.726	9.237	10.922	12.779	14.805	16.989							
					32	5.906	7.152	8.555	10.120	11.846	13.732	15.772	8.733	3.937	2.22	3.61	70	39	
					38	5.291	6.418	7.686	9.100	10.665	12.380	14.243							
					43	4.747	5.768	6.918	8.203	9.628	11.198	12.911							
OP-MPXM080ML	114X4324	P00	MLZ038T4	E	27	6.425	7.767	9.281	10.971	12.837	14.875	17.078							
					32	5.939	7.191	8.602	10.177	11.918	13.822	15.886	8.780	3.684	2.38	3.84	70	39	
					38	5.314	6.450	7.730	9.159	10.743	12.482	14.376							
					43	4.762	5.793	6.956	8.257	9.705	11.302	13.051							
OP-MPXM108ML	114X4344	P00	MLZ048T4	E	27	8.136	9.851	11.742	13.807	16.038	18.425	20.953							
					32	7.419	9.018	10.776	12.693	14.763	16.980	19.334	11.027	5.463	2.02	3.48	70	39	
					38	6.510	7.957	9.545	11.275	13.147	15.155	17.296							
					43	5.717	7.027	8.465	10.033	11.733	13.563	15.523							
OP-MPXM125ML	114X4414	P00	MLZ058T4	E	27	9.354	11.537	13.979	16.684	19.656	22.893	26.389							
					32	8.516	10.574	12.872	15.416	18.213	21.264	24.570	13.487	5.945	2.27	3.61	77	46	
					38	7.458	9.357	11.472	13.815	16.395	19.218	22.295							
					43	6.532	8.289	10.244	12.412	14.805	17.435	20.319							
OP-MPXM162ML	114X4434	P00	MLZ076T4	E	27	12.410	14.960	17.771	20.824	24.095	27.559	31.190							
					32	11.327	13.638	16.177	18.933	21.890	25.031	28.338	16.991	8.093	2.10	3.38	77	46	
					38	9.967	11.978	14.180	16.572	19.145	21.894	24.809							
					43	8.792	10.540	12.451	14.530	16.778	19.194	21.780							

MBP

(1) G - Compressor 230V/1~/50Hz, fan 230V/1~/50Hz

E - Compressor 400V/3~/50Hz, fan 230V/1~/50Hz

(2) Nominal conditions (EN13215), Evaporating temperatures at dew point, Superheat 10K, Subcooling 0K

(3) Rated conditions (EN13215), Evaporating temperature (dew point) -10°C, Ambient air temperature +32°C, Return Gas Temperature 20°C, Subcooling 0K

* Preliminary data

SEPR, Seasonal Energy Performance Ratio

Q [kW], Cooling Capacity

P [kW], Power Input



For regular updates and detailed capacities, please refer to **Coolselector®2** software



Model	Code	Version	Compressor	Electrical code (1)	Tamb [°C]	Cooling capacity Q [kW] (2)							EcoDesign (3)				Sound power level dB(A)	Sound pressure level 10 m dB(A)
						Te [°C]							Q [kW]	P [kW]	COP	SEPR		
						-20°C	-15°C	-10°C	-5°C	0°C	5°C	10°C						
OP-MPXM034ML	114X4264	P00	MLZ015T4	E	27	2.297	2.872	3.545	4.322	5.210	6.211	7.326	3.351	1.536	2.18		68	37
					32	2.112	2.653	3.288	4.024	4.865	5.815	6.876						
					38	1.881	2.379	2.965	3.648	4.431	5.318	6.312						
					43		2.141	2.684	3.320	4.053	4.886	5.822						
OP-MPXM034ML	114X4261	P00	MLZ015T5	G	27	2.326	2.908	3.588	4.374	5.271	6.282	7.408	3.392	1.560	2.17		68	37
					32	2.138	2.686	3.328	4.071	4.921	5.881	6.952						
					38	1.903	2.407	3.000	3.690	4.480	5.376	6.379						
					43		2.166	2.715	3.357	4.097	4.938	5.882						
OP-MPXM046ML	114X4284	P00	MLZ021T4	E	27	2.968	3.727	4.597	5.584	6.691	7.919	9.265	4.364	2.204	1.98		68	37
					32	2.732	3.451	4.274	5.206	6.252	7.413	8.687						
					38	2.438	3.105	3.868	4.732	5.702	6.780	7.965						
					43		2.805	3.515	4.320	5.225	6.231	7.339						
OP-MPXM046ML	114X4281	P00	MLZ021T5	G	27	3.021	3.794	4.678	5.680	6.803	8.047	9.411	4.440	2.248	1.97		68	37
					32	2.781	3.512	4.348	5.294	6.355	7.531	8.820						
					38	2.48	3.159	3.933	4.810	5.794	6.885	8.083						
					43		2.852	3.572	4.389	5.306	6.324	7.445						
OP-MPXM057ML	114X4293	P00	MLZ026T4	E	27	3.575	4.477	5.501	6.652	7.929	9.331	10.849	5.214	2.788	1.87	3.01	68	37
					32	3.281	4.132	5.096	6.179	7.381	8.699	10.128						
					38	2.912	3.698	4.588	5.586	6.693	7.909	9.229						
					43		3.320	4.144	5.068	6.094	7.223	8.448						
OP-MPXM057ML	114X4290	P00	MLZ026T5	G	27	3.636	4.551	5.590	6.757	8.051	9.468	11.002	5.298	2.833	1.87	3.02	68	37
					32	3.336	4.199	5.178	6.275	7.492	8.824	10.267						
					38	2.960	3.757	4.659	5.670	6.790	8.019	9.350						
					43		3.372	4.206	5.141	6.180	7.319	8.555						
OP-MPXM068ML	114X4308	P00	MLZ030T5	G	27	4.657	5.759	7.057	8.559	10.269	12.191	14.322	6.722	3.117	2.16	3.46	68	37
					32	4.361	5.381	6.589	7.994	9.602	11.415	13.433						
					38	4.021	4.938	6.034	7.318	8.798	10.476	12.354						
					43		4.579	5.576	6.756	8.124	9.687	11.445						
OP-MPXM068ML	114X4311	P00	MLZ030T4	E	27	4.693	5.804	7.111	8.624	10.346	12.281	14.426	6.774	2.991	2.27	3.62	68	37
					32	4.395	5.424	6.642	8.057	9.677	11.503	13.534						
					38	4.054	4.979	6.084	7.379	8.870	10.561	12.453						
					43		4.619	5.625	6.815	8.195	9.770	11.542						
OP-MPXM080ML	114X4321	P00	MLZ038T5	G	27	5.297	6.531	7.978	9.644	11.533	13.643	15.969	7.601	3.817	1.99	3.22	68	37
					32	4.957	6.097	7.441	8.996	10.767	12.753	14.950						
					38	4.568	5.588	6.801	8.217	9.841	11.674	13.713						
					43		5.176	6.275	7.570	9.066	10.767	12.669						
OP-MPXM080ML	114X4324	P00	MLZ038T4	E	27	5.357	6.606	8.069	9.754	11.663	13.796	16.145	7.691	3.546	2.17	3.48	68	37
					32	5.016	6.170	7.530	9.104	10.895	12.904	15.126						
					38	4.624	5.659	6.889	8.324	9.969	11.824	13.887						
					43		5.245	6.361	7.675	9.193	10.916	12.844						
OP-MPXM108ML	114X4344	P00	MLZ048T4	E	27	6.935	8.714	10.739	13.021	15.563	18.365	21.418	10.082	5.206	1.94	3.19	68	37
					32	6.269	7.949	9.862	12.019	14.424	17.077	19.972						
					38	5.444	7.003	8.777	10.780	13.017	15.490	18.194						
					43		6.188	7.844	9.715	11.810	14.131	16.675						
OP-MPXM125ML	114X4414	P00	MLZ058T4	E	27	8.114	10.135	12.435	15.023	17.903	21.073	24.524	11.766	5.925	1.99	3.18	68	37
					32	7.45	9.356	11.519	13.951	16.659	19.640	22.888						
					38	6.624	8.385	10.379	12.621	15.117	17.869	20.873						
					43		7.545	9.394	11.473	13.790	16.349	19.147						
OP-MPXM162ML	114X4434	P00	MLZ076T4	E	27	10.156	12.831	15.872	19.291	23.090	27.263	31.793	14.892	7.845	1.90	3.11	68	37
					32	9.173	11.702	14.573	17.800	21.388	25.332	29.620						
					38	7.955	10.300	12.959	15.949	19.278	22.944	26.936						
					43		9.092	11.568	14.355	17.463	20.892	24.633						

MBP

(1) G - Compressor 230V/1~/50Hz, fan 230V/1~/50Hz
 E - Compressor 400V/3~/50Hz, fan 230V/1~/50Hz

(2) Nominal conditions (EN13215), Evaporating temperatures at dew point, Superheat 10K, Subcooling 0K

(3) Rated conditions (EN13215), Evaporating temperature (dew point) -10°C, Ambient air temperature +32°C, Return Gas Temperature 20°C, Subcooling 0K

SEPR, Seasonal Energy Performance Ratio
 Q [kW], Cooling Capacity

P [kW], Power Input



For regular updates and detailed capacities, please refer to **Coolselector®2** software



Model	Code	Version	Compressor	Electrical code (1)	Tamb [°C]	Cooling capacity Q [kW] (2)							EcoDesign (3)				Sound power level dB(A)	Sound pressure level 10 m dB(A)
						Te [°C]							Q [kW]	P [kW]	COP	SEPR		
						-20°C	-15°C	-10°C	-5°C	0°C	5°C	10°C						
OP-MPXM034ML	114X4264	P00	MLZ015T4	E	27	2.441	3.044	3.746	4.555	5.477	6.514	7.669	3.515	1.639	2.14		68	37
					32	2.25	2.819	3.483	4.250	5.125	6.112	7.213						
					38		2.536	3.151	3.864	4.681	5.605	6.638						
					43			2.861	3.526	4.292	5.161	6.136						
OP-MPXM034ML	114X4261	P00	MLZ015T5	G	27	2.499	3.115	3.833	4.659	5.598	6.655	7.831	3.596	1.680	2.14		68	37
					32	2.303	2.884	3.563	4.345	5.237	6.243	7.362						
					38		2.594	3.221	3.948	4.780	5.721	6.772						
					43			2.924	3.602	4.381	5.266	6.257						
OP-MPXM046ML	114X4284	P00	MLZ021T4	E	27	3.186	3.991	4.910	5.946	7.103	8.380	9.776	4.624	2.390	1.94		68	37
					32	2.94	3.704	4.574	5.555	6.650	7.860	9.183						
					38		3.343	4.151	5.062	6.080	7.207	8.439						
					43			3.781	4.631	5.583	6.637	7.792						
OP-MPXM046ML	114X4281	P00	MLZ021T5	G	27	3.243	4.062	4.995	6.047	7.220	8.515	9.928	4.704	2.439	1.93		68	37
					32	2.993	3.769	4.652	5.647	6.758	7.984	9.322						
					38		3.400	4.220	5.144	6.176	7.316	8.563						
					43			3.842	4.704	5.668	6.734	7.902						
OP-MPXM057ML	114X4293	P00	MLZ026T4	E	27	3.782	4.724	5.790	6.983	8.302	9.743	11.298	5.445	2.992	1.82	2.98	68	37
					32	3.479	4.370	5.375	6.499	7.742	9.100	10.567						
					38		3.923	4.852	5.889	7.037	8.293	9.650						
					43			4.393	5.355	6.421	7.587							
OP-MPXM057ML	114X4290	P00	MLZ026T5	G	27	3.898	4.867	5.960	7.182	8.530	10.000	11.583	5.604	3.095	1.81	2.98	68	37
					32	3.584	4.499	5.530	6.680	7.949	9.333	10.824						
					38		4.035	4.986	6.047	7.218	8.495	9.873						
					43			4.510	5.493	6.578	7.764							
OP-MPXM068ML	114X4308	P00	MLZ030T5	G	27	5.011	6.171	7.530	9.097	10.876	12.869	15.074	7.129	3.361	2.12	3.41	69	38
					32	4.713	5.790	7.058	8.527	10.203	12.087	14.178						
					38		5.344	6.497	7.843	9.389	11.137	13.088						
					43			6.036	7.275	8.708	10.339	12.168						
OP-MPXM068ML	114X4311	P00	MLZ030T4	E	27	5.049	6.219	7.588	9.166	10.958	12.964	15.184	7.186	3.224	2.23	3.58	69	38
					32	4.75	5.836	7.115	8.595	10.282	12.180	14.286						
					38		5.388	6.552	7.909	9.467	11.229	13.194						
					43			6.089	7.339	8.784	10.429	12.273						
OP-MPXM080ML	114X4321	P00	MLZ038T5	G	27	5.698	6.996	8.510	10.247	12.208	14.394	16.797	8.059	4.134	1.95	3.16	69	38
					32	5.357	6.559	7.967	9.591	11.433	13.494	15.767						
					38		6.046	7.321	8.803	10.496	12.400	14.513						
					43			6.791	8.148	9.710	11.480	13.453						
OP-MPXM080ML	114X4324	P00	MLZ038T4	E	27	5.713	7.016	8.534	10.277	12.245	14.438	16.850	8.084	3.938	2.05	3.32	69	38
					32	5.372	6.579	7.993	9.623	11.473	13.541	15.824						
					38		6.067	7.349	8.838	10.539	12.453	14.576						
					43			6.820	8.185	9.757	11.537	13.522						
OP-MPXM108ML	114X4344	P00	MLZ048T4	E	27	7.187	9.007	11.068	13.382	15.956	18.789	21.877	10.322	5.568	1.85	3.07	75	44
					32	6.517	8.243	10.196	12.389	14.829	17.517	20.450						
					38		7.290	9.110	11.154	13.430	15.942	18.687						
					43			8.169	10.086	12.224	14.588	17.175						
OP-MPXM125ML	114X4414	P00	MLZ058T4	E	27	8.71	10.842	13.251	15.948	18.937	22.213	25.769	12.456	6.423	1.94	3.13	77	46
					32	8.024	10.040	12.313	14.853	17.667	20.753	24.104						
					38		9.036	11.138	13.486	16.087	18.941	22.044						
					43			10.116	12.299	14.719	17.377	20.272						
OP-MPXM162ML	114X4434	P00	MLZ076T4	E	27	10.814	13.619	16.792	20.344	24.275	28.576	33.225	15.654	8.407	1.86	3.05	77	46
					32	9.803	12.462	15.466	18.827	22.547	26.618	31.020						
					38		11.009	13.801	16.925	20.383	24.170	28.268						
					43			12.346	15.263	18.496	22.039	25.877						

MBP

(1) **G** - Compressor 230V/1~/50Hz, fan 230V/1~/50Hz
E - Compressor 400V/3~/50Hz, fan 230V/1~/50Hz

(2) Nominal conditions (EN13215), Evaporating temperatures at dew point, Superheat 10K, Subcooling 0K

(3) Rated conditions (EN13215), Evaporating temperature (dew point) -10°C, Ambient air temperature +32°C, Return Gas Temperature 20°C, Subcooling 0K

SEPR, Seasonal Energy Performance Ratio
Q [kW], Cooling Capacity

P [kW], Power Input



For regular updates and detailed capacities, please refer to **Coolselector®2** software



Model	Code	Version	Compressor	Electrical code (1)	Tamb [°C]	Cooling capacity Q [kW] (2)							EcoDesign (3)				Sound power level dB(A)	Sound pressure level 10 m dB(A)	
						Te [°C]							Q [kW]	P [kW]	COP	SEPR			
						-20°C	-15°C	-10°C	-5°C	0°C	5°C	10°C							
OP-MPYM008MY	114X4119	P00	MLY80RAb	G	27	0.756	0.936	1.132	1.345	1.573									
					32	0.683	0.848	1.031	1.230	1.446	0.888	0.421	2.11		60	29			
					38	0.596	0.744	0.909	1.092	1.293									
					43	0.524	0.657	0.808	0.978	1.165									
OP-MPYM009MY	114X4120	P00	MLY90RAb	G	27	0.814	1.007	1.217	1.443	1.684									
					32	0.737	0.914	1.108	1.319	1.546	0.960	0.480	1.99		61	30			
					38	0.644	0.802	0.978	1.171	1.381									
					43	0.568	0.709	0.869	1.047	1.244									
OP-MPYM012MP	114X4121	P00	MPT12RA	G	27	1.115	1.365	1.631	1.914	2.213	2.526								
					32	1.010	1.239	1.486	1.751	2.033	2.331	1.300	0.646	2.01		63	32		
					38	0.883	1.089	1.313	1.556	1.817	2.097								
					43	0.779	0.964	1.169	1.394	1.638	1.902								
OP-MPYM014MP	114X4122	P00	MPT14RA	G	27	1.130	1.396	1.685	1.999	2.335	2.693								
					32	1.031	1.276	1.546	1.841	2.160	2.502	1.340	0.795	1.69		60	29		
					38	0.913	1.133	1.380	1.652	1.950	2.274								
						0.814	1.014	1.241	1.494	1.775	2.084								
OP-MPYM018AJ	114X4230	P00	CAJ9510Z	G	27	1.184	1.477	1.818	2.209	2.651	3.146	3.694							
					32	1.078	1.351	1.666	2.024	2.429	2.881	3.382	1.746	0.903	1.93		67	36	
					38			1.480	1.800	2.160	2.561	3.005							
					43			1.324	1.612	1.933	2.292	2.688							
OP-MPYM024AJ	114X4200	P00	CAJ9513Z	G	27	1.822	2.288	2.820	3.418	4.082	4.808								
					32	1.638	2.067	2.557	3.108	3.720	4.392	2.168	1.045	2.07		67	36		
					38	1.417	1.804	2.243	2.738	3.288	3.895								
					43	1.235	1.586	1.983	2.431	2.930	3.482								

MBP
(1) G - Compressor 230V/1~/50Hz, fan 230V/1~/50Hz

E - Compressor 400V/3~/50Hz, fan 230V/1~/50Hz

(2) Nominal conditions (EN13215), Evaporating temperatures at dew point, Superheat 10K, Subcooling 0K

(3) Rated conditions (EN13215), Evaporating temperature (dew point) -10°C, Ambient air temperature +32°C, Return Gas Temperature 20°C, Subcooling 0K

SEPR, Seasonal Energy Performance Ratio

Q [kW], Cooling Capacity

P [kW], Power Input

This table continues on the next page


For regular updates and detailed capacities, please refer to **Coolselector®2** software


Model	Code	Version	Compressor	Electrical code (1)	Tamb [°C]	Cooling capacity Q [kW] (2)							EcoDesign (3)				Sound power level dB(A)	Sound pressure level 10 m dB(A)
						Te [°C]							Q [kW]	P [kW]	COP	SEPR		
						-20°C	-15°C	-10°C	-5°C	0°C	5°C	10°C						
OP-MPYM026AJ	114X4212	P00	CAJ4517Z	G	27	1.626	2.039	2.517	3.061	3.674	4.356	5.104	2.399	1.172	2.05		67	36
					32	1.459	1.844	2.285	2.788	3.353	3.982	4.675						
					38	1.259	1.609	2.007	2.459	2.967	3.533	4.159						
					43		1.413	1.776	2.185	2.644	3.157	3.728						
OP-MPYM026AJ	114X4213	P00	TAJ4517Z	E	27	1.595	2.029	2.522	3.078	3.700	4.388	5.141	2.398	1.231	1.95		67	36
					32	1.416	1.824	2.285	2.802	3.379	4.017	4.717						
					38	1.199	1.575	1.996	2.465	2.987	3.565	4.200						
					43		1.368	1.754	2.182	2.657	3.184	3.765						
OP-MPYM034AJ	114X4227	P00	TAJ4519Z	E	27	2.018	2.526	3.102	3.747	4.461	5.242	6.087	2.970	1.573	1.89		67	36
					32	1.811	2.287	2.823	3.420	4.079	4.799	5.581						
					38	1.559	1.997	2.484	3.023	3.616	4.264	4.969						
					43		1.753	2.199	2.689	3.227	3.815	4.456						
OP-MPYM034AJ	114X4226	P00	CAJ4519Z	G	27	2.015	2.547	3.147	3.819	4.563	5.376	6.257	3.008	1.650	1.82		67	36
					32	1.802	2.300	2.859	3.480	4.166	4.916	5.729						
					38	1.544	2.000	2.506	3.065	3.680	4.353	5.085						
					43		1.749	2.209	2.715	3.270	3.878	4.541						
OP-MPXM034ML	114X4264	P00	MLZ015T4	E	27	2.502	3.081	3.734	4.463	5.272	6.158	7.121	3.580	1.693	2.11		68	37
					32	2.251	2.793	3.398	4.073	4.820	5.640	6.535						
					38	1.926	2.424	2.974	3.584	4.258	5.001	5.814						
					43	1.634	2.095	2.600	3.157	3.772	4.451	5.198						
OP-MPXM034ML	114X4261	P00	MLZ015T5	G	27	2.591	3.149	3.783	4.496	5.289	6.163	7.122	3.669	1.762	2.08		68	37
					32	2.373	2.890	3.478	4.142	4.882	5.703	6.608						
					38	2.101	2.569	3.102	3.705	4.383	5.139	5.981						
					43	1.867	2.293	2.780	3.334	3.959	4.662	5.452						
OP-MPXM046ML	114X4284	P00	MLZ021T4	E	27	3.404	4.124	4.928	5.824	6.815	7.905	9.099	4.778	2.350	2.03		68	37
					32	3.108	3.772	4.514	5.340	6.257	7.271	8.390						
					38	2.729	3.325	3.990	4.731	5.559	6.482	7.511						
					43	2.392	2.930	3.529	4.199	4.952	5.798	6.754						
OP-MPXM046ML	114X4281	P00	MLZ021T5	G	27	3.450	4.182	5.004	5.917	6.922	8.018	9.203	4.848	2.435	1.99		68	37
					32	3.147	3.821	4.578	5.421	6.352	7.371	8.481						
					38	2.762	3.365	4.043	4.800	5.640	6.567	7.586						
					43	2.422	2.964	3.574	4.258	5.022	5.872	6.817						

MBP This table continues on the next page
(1) G - Compressor 230V/1~/50Hz, fan 230V/1~/50Hz
E - Compressor 400V/3~/50Hz, fan 230V/1~/50Hz
(2) Nominal conditions (EN13215), Evaporating temperatures at dew point, Superheat 10K, Subcooling 0K
(3) Rated conditions (EN13215), Evaporating temperature (dew point) -10°C, Ambient air temperature +32°C, Return Gas Temperature 20°C, Subcooling 0K
SEPR, Seasonal Energy Performance Ratio
Q [kW], Cooling Capacity
P [kW], Power Input



For regular updates and detailed capacities, please refer to **Coolselector®2** software



Model	Code	Version	Compressor	Electrical code (1)	T _{amb} [°C]	Cooling capacity Q [kW] (2)							EcoDesign (3)				Sound power level dB(A)	Sound pressure level 10 m dB(A)	
						T _e [°C]							Q [kW]	P [kW]	COP	SEPR			
						-20°C	-15°C	-10°C	-5°C	0°C	5°C	10°C							
OP-MPXM057ML	114X4290	P00	MLZ026T5	G	27	3.973	4.806	5.741	6.777	7.912	9.142	10.467							
					32	3.619	4.382	5.238	6.189	7.234	8.373	9.609	5.571	3.291	1.69	2.90	68	37	
					38	3.179	3.855	4.615	5.460	6.396	7.424	8.553							
					43	2.795	3.397	4.073	4.830	5.673	6.609	7.650							
OP-MPXM057ML	114X4293	P00	MLZ026T4	E	27	3.977	4.812	5.749	6.788	7.926	9.162	10.493							
					32	3.625	4.390	5.249	6.203	7.252	8.397	9.639	5.580	3.164	1.76	3.01	68	37	
					38	3.189	3.868	4.630	5.480	6.420	7.455	8.590							
					43	2.809	3.414	4.094	4.855	5.703	6.645	7.693							
OP-MPXM068ML	114X4308	P00	MLZ030T5	G	27	5.273	6.446	7.786	9.302	10.997	12.876	14.938							
					32	4.832	5.927	7.178	8.594	10.182	11.949	13.898	7.568	3.353	2.26	3.66	69	38	
					38	4.283	5.278	6.417	7.709	9.166	10.795	12.606							
					43	3.806	4.714	5.755	6.941	8.284	9.797	11.492							
OP-MPXM068ML	114X4311	P00	MLZ030T4	E	27	5.271	6.443	7.784	9.300	10.998	12.880	14.945							
					32	4.832	5.926	7.177	8.594	10.185	11.954	13.907	7.566	3.279	2.31	3.73	69	38	
					38	4.284	5.279	6.418	7.711	9.170	10.803	12.618							
					43	3.809	4.717	5.758	6.945	8.291	9.806	11.506							
OP-MPXM080ML	114X4321	P00	MLZ038T5	G	27	6.066	7.469	9.041	10.768	12.634	14.626	16.730							
					32	5.504	6.806	8.273	9.892	11.650	13.536	15.538	8.735	4.027	2.17	3.33	69	38	
					38	4.826	5.992	7.319	8.797	10.415	12.164	14.039							
					43	4.268	5.307	6.506	7.857	9.349	10.976	12.738							
OP-MPXM080ML	114X4324	P00	MLZ038T4	E	27	6.238	7.571	9.084	10.780	12.662	14.727	16.973							
					32	5.708	6.948	8.353	9.930	11.682	13.612	15.720	8.822	3.856	2.29	3.71	69	38	
					38	5.026	6.146	7.415	8.842	10.434	12.197	14.137							
					43	4.423	5.435	6.584	7.881	9.335	10.956	12.755							
OP-MPXM108ML	114X4344	P00	MLZ048T4	E	27	7.856	9.491	11.303	13.308	15.517	17.940	20.584							
					32	7.147	8.653	10.321	12.168	14.209	16.459	18.932	10.943	5.478	2.00	3.31	75	44	
					38	6.248	7.596	9.087	10.742	12.581	14.623	16.892							
					43	5.457	6.671	8.012	9.504	11.172	13.041	15.144							
OP-MPXM125ML	114X4414	P00	MLZ058T4	E	27	9.409	11.580	14.000	16.676	19.608	22.795	26.233							
					32	8.513	10.552	12.820	15.326	18.074	21.068	24.310	13.539	6.214	2.18	3.48	77	46	
					38	7.385	9.257	11.334	13.628	16.149	18.906	21.911							
					43	6.404	8.125	10.034	12.145	14.472	17.028	19.836							
OP-MPXM162ML	114X4434	P00	MLZ076T4	E	27	12.516	15.012	17.725	20.689	23.929	27.465	31.318							
					32	11.400	13.616	16.030	18.678	21.592	24.799	28.325	16.975	8.520	1.99	3.23	77	46	
					38	10.034	11.882	13.909	16.158	18.665	21.464	24.592							
					43	8.881	10.396	12.079	13.976	16.130	18.579	21.368							

MBP
(1) G - Compressor 230V/1~/50Hz, fan 230V/1~/50Hz

E - Compressor 400V/3~/50Hz, fan 230V/1~/50Hz

(2) Nominal conditions (EN13215), Evaporating temperatures at dew point, Superheat 10K, Subcooling 0K

(3) Rated conditions (EN13215), Evaporating temperature (dew point) -10°C, Ambient air temperature +32°C, Return Gas Temperature 20°C, Subcooling 0K

SEPR, Seasonal Energy Performance Ratio

Q [kW], Cooling Capacity

P [kW], Power Input


For regular updates and detailed capacities, please refer to **Coolselector®2** software


Application	Code number	Model number	Compressor Model	Electrical Code (1)	Refrigerant (2)	Condenser Coil			Fan		Receiver	Dimensions					Weight		
						Type	Airflow	Internal Volume	Number	Blade ø	Volume	Housing	Height	Width	Depth	Suction line	Liquid Line	Gross	Net
LBP	114X3118	OP-LPQM017MPP00G	MPT16LA	G	Q	A7	2,200	0.41	1	365	1.3	H1	652	906	356	3/8"	3/8"	65	49
LBP	114X3216	OP-LPQM026AJP00G	CAJ2446Z	G	Q	D7	3,300	0.61	1	450	3.4	H2	813	1055	430	1/2"	3/8"	97	80
LBP	114X3225	OP-LPQM048NTP00G	NTZ048-5	G	Q	D7	3,300	0.61	1	450	3.4	H2	813	1055	430	5/8"	3/8"	102	80
LBP	114X3233	OP-LPQM048NTP00E	NTZ048-4	E	Q	D7	3,300	0.61	1	450	3.4	H2	813	1055	430	5/8"	3/8"	102	80
LBP	114X3241	OP-LPQM068NTP00G	NTZ068-5	G	Q	D7	3,300	0.61	1	450	3.4	H2	813	1055	430	5/8"	3/8"	102	80
LBP	114X3249	OP-LPQM068NTP00E	NTZ068-4	E	Q	D7	3,300	0.61	1	450	3.4	H2	813	1055	430	5/8"	3/8"	102	80
LBP	114X3252	OP-LPQM074FHP00G	FH2511Z	G	Q	D7	3,300	0.61	1	450	3.4	H2	813	1055	430	5/8"	3/8"	111	94
LBP	114X3253	OP-LPQM074FHP00E	TFH2511Z	E	Q	D7	3,300	0.61	1	450	3.4	H2	813	1055	430	5/8"	3/8"	106	89
LBP	114X3357	OP-LPQM096NTP00E	NTZ096-4	E	Q	G7	5,200	1.69	1	500	6.2	H3	967	1406	481	7/8"	1/2"	143	107
LBP	114X3365	OP-LPQM136NTP00E	NTZ136-4	E	Q	G7	5,200	1.69	1	500	6.2	H3	967	1406	481	1 1/8"	1/2"	143	107
LBP	114X3476	OP-LPQM215LLP00E	LLZ024T4	E	Q	J7	9,500	2.03	2	500	10	H4	966	1800	600	1 1/8"	3/4"	218	169
LBP	114X3482	OP-LPQM271LLP00E	LLZ034T4	E	Q	J7	9,500	2.03	2	500	10	H4	966	1800	600	1 1/8"	3/4"	218	169
MBP	114X4119	OP-MPYM008MYP00G	MLY80RAb	G	Y	A7	2,200	0.41	1	365	1.3	H1	652	906	356	3/8"	1/4"	65	49
MBP	114X4120	OP-MPYM009MYP00G	MLY90RAb	G	Y	A7	2,200	0.41	1	365	1.3	H1	652	906	356	3/8"	1/4"	65	49
MBP	114X4121	OP-MPYM012MPP00G	MPT12RA	G	Y	A7	2,200	0.41	1	365	1.3	H1	652	906	356	3/8"	3/8"	65	49
MBP	114X4122	OP-MPYM014MPP00G	MPT14RA	G	Y	A7	2,200	0.41	1	365	1.3	H1	652	906	356	3/8"	3/8"	65	49
MBP	114X4200	OP-MPYM024AJP00G	CAJ9513Z	G	Y	D7	3,300	0.61	1	450	3.4	H2	813	1055	430	1/2"	3/8"	97	80
MBP	114X4212	OP-MPYM026AJP00G	CAJ4517Z	G	Y	D7	3,300	0.61	1	450	3.4	H2	813	1055	430	1/2"	3/8"	97	80
MBP	114X4213	OP-MPYM026AJP00E	TAJ4517Z	E	Y	D7	3,300	0.61	1	450	3.4	H2	813	1055	430	1/2"	3/8"	97	80
MBP	114X4220	OP-MPGM033AJP00G	CAJ4511Y	G	G	D7	3,300	0.61	1	450	3.4	H2	813	1055	430	1/2"	3/8"	97	80
MBP	114X4226	OP-MPYM034AJP00G	CAJ4519Z	G	Y	D7	3,300	0.61	1	450	3.4	H2	813	1055	430	1/2"	3/8"	97	80
MBP	114X4227	OP-MPYM034AJP00E	TAJ4519Z	E	Y	D7	3,300	0.61	1	450	3.4	H2	813	1055	430	1/2"	3/8"	97	80
MBP	114X4230	OP-MPYM018AJP00G	CAJ9510Z	G	Y	D7	3,300	0.61	1	450	3.4	H2	813	1055	430	1/2"	3/8"	97	80
MBP	114X4261	OP-MPXM034MLP00G	MLZ015T5	G	X	D7	3,300	0.61	1	450	3.4	H2	813	1055	430	3/4"	1/2"	109	87
MBP	114X4264	OP-MPXM034MLP00E	MLZ015T4	E	X	D7	3,300	0.61	1	450	3.4	H2	813	1055	430	3/4"	1/2"	109	87
MBP	114X4281	OP-MPXM046MLP00G	MLZ021T5	G	X	D7	3,300	0.61	1	450	3.4	H2	813	1055	430	3/4"	1/2"	109	87
MBP	114X4284	OP-MPXM046MLP00E	MLZ021T4	E	X	D7	3,300	0.61	1	450	3.4	H2	813	1055	430	3/4"	1/2"	109	87
MBP	114X4290	OP-MPXM057MLP00G	MLZ026T5	G	X	D7	3,300	0.61	1	450	3.4	H2	813	1055	430	3/4"	1/2"	109	87
MBP	114X4293	OP-MPXM057MLP00E	MLZ026T4	E	X	D7	3,300	0.61	1	450	3.4	H2	813	1055	430	3/4"	1/2"	109	87
MBP	114X4308	OP-MPXM068MLP00G	MLZ030T5	G	X	G7	5,200	1.69	1	500	6.2	H3	967	1406	481	7/8"	5/8"	137	101
MBP	114X4311	OP-MPXM068MLP00E	MLZ030T4	E	X	G7	5,200	1.69	1	500	6.2	H3	967	1406	481	7/8"	5/8"	137	101
MBP	114X4321	OP-MPXM080MLP00G	MLZ038T5	G	X	G7	5,200	1.69	1	500	6.2	H3	967	1406	481	7/8"	5/8"	137	101
MBP	114X4324	OP-MPXM080MLP00E	MLZ038T4	E	X	G7	5,200	1.69	1	500	6.2	H3	967	1406	481	7/8"	5/8"	137	101
MBP	114X4344	OP-MPXM108MLP00E	MLZ048T4	E	X	G7	5,200	1.69	1	500	6.2	H3	967	1406	481	7/8"	5/8"	137	101
MBP	114X4414	OP-MPXM125MLP00E	MLZ058T4	E	X	J7	9,500	2.03	2	500	10	H4	966	1800	600	1 1/8"	3/4"	218	169
MBP	114X4434	OP-MPXM162MLP00E	MLZ076T4	E	X	J7	9,500	2.03	2	500	10	H4	966	1800	600	1 1/8"	3/4"	218	169

(1) G - Compressor 230V/1~/50Hz, fan 230V/1~/50Hz

E - Compressor 400V/3~/50Hz, fan 230V/1~/50Hz

(2) G - R134a

X - R134a, R404A/R507, R407A, R407F, R449A, R448A

Y - R404A/R507, R449A

Q - R404A/R507, R452A

Designation	LPQM017MP	LPQM026AJ	LPQM048NT	LPQM048NT	LPQM068NT	LPQM068NT	LPQM074FH
Code Number	114X3118	114X3216	114X3225	114X3233	114X3241	114X3249	114X3252
Compressor Description	MPT16LA	CAJ2446Z	NTZ048-5	NTZ048-4	NTZ068-5	NTZ068-4	FH2511Z
Oil	POE32	RL32HA/HT	175PZ-POE	175PZ-POE	175PZ-POE	175PZ-POE	RL32HA/HT
Housing	H1	H2	H2	H2	H2	H2	H2
Spare Parts							
Compressor single pack	123B2127	118U3992	120F0228	120F0226	120F0232	120F0230	118U3914
Condenser	118U3492	118U3493	118U3493	118U3493	118U3493	118U3493	118U3493
Discharge pressure sensor	118U3722	118U3722	118U3722	118U3722	118U3722	118U3722	118U3722
Fan assembly							
Fan blade	118U3480	118U3481	118U3481	118U3481	118U3481	118U3481	118U3481
Fan capacitor	118U3296	118U3297	118U3297	118U3297	118U3297	118U3297	118U3297
Fan cowl/grill	118U3483	118U3484	118U3484	118U3484	118U3484	118U3484	118U3484
Fan motor	118U3477	118U3823	118U3823	118U3823	118U3823	118U3823	118U3823
Filter drier	023Z5039	023Z5040	023Z5040	023Z5040	023Z5040	023Z5040	023Z5040
High-pressure switch	118U3718	118U3718	118U3718	118U3718	118U3718	118U3718	118U3718
Liquid valve	009G7051	009G7051	009G7051	009G7051	009G7051	009G7051	009G7051
Low-pressure switch	118U3720	118U3720	118U3720	118U3720	118U3720	118U3720	118U3720
Receiver	118U3474	118U3475	118U3475	118U3475	118U3475	118U3475	118U3475
Sight glass	014L0182	014L0172	014L0172	014L0172	014L0172	014L0172	014L0172
Suction pressure sensor	118U3721	118U3721	118U3721	118U3721	118U3721	118U3721	118U3721
Suction valve	009G7051	009G7051	009G7053	009G7053	009G7053	009G7053	009G7053
Electrical Spare Parts							
Crankcase heater	192H2096	192H2096	120Z0459	120Z0459	120Z0459	120Z0459	120Z0459
Optyma™ Plus Controller	118U3465	118U3465	118U3465	118U3465	118U3465	118U3465	118U3465
Discharge temperature sensor	084N2007	084N2007	084N2007	084N2007	084N2007	084N2007	084N2007
Suction and ambient temp sensor	084N0003	084N0003	084N0003	084N0003	084N0003	084N0003	084N0003
Contact kit	118U3845	118U3845	118U3846	118U3845	118U3848	118U3845	118U3845
Door handle	118U3858	118U3858	118U3858	118U3858	118U3858	118U3858	118U3858
Main switch kit	118U3853	118U3851	118U3852	118U3853	118U3854	118U3851	118U3853
Run capacitor	123B9219		8173041		8173041		
Starting capacitor	123B9316	118U5191	8173001		8173001		118U5199
Starting relay	123B9151		8173022		8173022		
Electrical Characteristics							
Wiring Diagram	WD7	WD3	WD3	WD5	WD3	WD5	WD3
LRA Compressor [A]	19	29	37	16	53	25	81
MCC Compressor [A]	4	7.9	11	4.8	17	8.4	24
Max cont.power [kW]	0.89	1.31	2.19	2.28	3.62	3.57	3.45
MCC Fan [A]	0.32	0.47	0.47	0.47	0.47	0.47	0.47
Fan Power [W]	1x25	1x68	1x68	1x68	1x68	1x68	1x68
Min Fuse rating gL/gG (A)	10	16	20	10	25	16	32
Accessories (Not Premounted)							
Acoustic hood			120Z575	120Z575	120Z575	120Z575	
Adap-Kool Accessories							
External Display & settings	084B8575	084B8575	084B8575	084B8575	084B8575	084B8575	084B8575
Cable for EKA Displays 6 m	084B7299	084B7299	084B7299	084B7299	084B7299	084B7299	084B7299
Mounting kit for EKA Display	084B8584	084B8584	084B8584	084B8584	084B8584	084B8584	084B8584
MODBUS Communication Module	084B8571	084B8571	084B8571	084B8571	084B8571	084B8571	084B8571
Lon-Bus Communication Module	084B8579	084B8579	084B8579	084B8579	084B8579	084B8579	084B8579
Programming Key	084B8582	084B8582	084B8582	084B8582	084B8582	084B8582	084B8582
Sheet Metal							
Top Panel	118U5121	118U5126	118U5126	118U5126	118U5126	118U5126	118U5126
Fan Panel	118U5122	118U5127	118U5127	118U5127	118U5127	118U5127	118U5127
Back Panel	118U5123	118U5128	118U5128	118U5128	118U5128	118U5128	118U5128
Front Panel	118U5124	118U5129	118U5129	118U5129	118U5129	118U5129	118U5129
Access Panel	118U5125	118U5130	118U5130	118U5130	118U5130	118U5130	118U5130
Left side Panel	118U5163	118U5164	118U5164	118U5164	118U5164	118U5164	118U5164
Fan Panel (LH)							
Fan Panel (RH)							

MCA - Minimum Circuit Ampacity
MCC - Max Continuous Current
LRA - Locked Rotor Amps

Designation	LPQM074FH	LPQM096NT	LPQM136NT	LPQM215LL	LPQM271LL
Code Number	114X3253	114X3357	114X3365	114X3476	114X3482
Compressor Description	TFH2511Z	NTZ096-4	NTZ136-4	LLZ024T4	LLZ034T4
Oil	RL32HA/HT	175PZ-POE	175PZ-POE	215PZ-POE46	215PZ-POE46
Housing	H2	H3	H3	H4	H4
Spare Parts					
Compressor single pack	118U3915	120F0234	120F0236	121L9541	121L9543
Condenser	118U3493	118U3494	118U3494	118U3717	118U3717
Discharge pressure sensor	118U3722	118U3722	118U3722	118U3722	118U3722
Fan assembly		118U3829	118U3829	118U3829	118U3829
Fan blade	118U3481				
Fan capacitor	118U3297				
Fan cowl/grill	118U3484	118U3485	118U3485	118U3485	118U3485
Fan motor	118U3823				
Filter drier	023Z5040	023Z5044	023Z5044	023Z5046	023Z5046
High-pressure switch	118U3718	118U3718	118U3718	118U3718	118U3718
Liquid valve	009G7051	009G7052	009G7052	009G7054	009G7054
Low-pressure switch	118U3720	118U3720	118U3720	118U3720	118U3720
Receiver	118U3475	118U3476	118U3476	118U3716	118U3716
Sight glass	014L0172	014L0173	014L0173	014L0175	014L0175
Suction pressure sensor	118U3721	118U3721	118U3721	118U3721	118U3721
Suction valve	009G7053	009G7055	009G7056	009G7056	009G7056
Electrical Spare Parts					
Crankcase heater	120Z0459	120Z0459	120Z0459	120Z5040	120Z5040
Optyma™ Plus Controller	118U3465	118U3465	118U3465	118U3465	118U3465
Discharge temperature sensor	084N2007	084N2007	084N2007	084N2007	084N2007
Suction and ambient temp sensor	084N0003	084N0003	084N0003	084N0003	084N0003
Contact kit	118U3845	118U3846	118U3847	118U3848	118U3848
Door handle	118U3858	118U3858	118U3858	118U3858	118U3858
Main switch kit	118U3853	118U3851	118U3852	118U3856	118U3856
Run capacitor					
Starting capacitor					
Starting relay					
Electrical Characteristics					
Wiring Diagram	WD5	WD5	WD5	WD6	WD6
LRA Compressor [A]	28	32	51	95	150
MCC Compressor [A]	7.2	10.1	14.3	21	26
Max cont.power [kW]	3.34	4.53	6.87	7.96	11.1
MCC Fan [A]	0.47	0.97	0.97	2x0.97	2x0.97
Fan Power [W]	1x68	1x130	1x130	2x130	2x130
Min Fuse rating gL/gG (A)	16	16	20	32	40
Accessories (Not Premounted)					
Acoustic hood		120Z576	120Z576	120Z5053	120Z5055
Adap-Kool Accessories					
External Display & settings	084B8575	084B8575	084B8575	084B8575	084B8575
Cable for EKA Displays 6 m	084B7299	084B7299	084B7299	084B7299	084B7299
Mounting kit for EKA Display	084B8584	084B8584	084B8584	084B8584	084B8584
MODBUS Communication Module	084B8571	084B8571	084B8571	084B8571	084B8571
Lon-Bus Communication Module	084B8579	084B8579	084B8579	084B8579	084B8579
Programming Key	084B8582	084B8582	084B8582	084B8582	084B8582
Sheet Metal					
Top Panel	118U5126	118U5131	118U5131	118U5136	118U5136
Fan Panel	118U5127	118U5132	118U5132		
Back Panel	118U5128	118U5133	118U5133	118U5139	118U5139
Front Panel	118U5129	118U5134	118U5134		
Access Panel	118U5130	118U5135	118U5135	118U5140	118U5140
Left side Panel	118U5164	118U5165	118U5165	118U5166	118U5166
Fan Panel (LH)				118U5137	118U5137
Fan Panel (RH)				118U5138	118U5138

MCA - Minimum Circuit Ampacity
MCC - Max Continuous Current
LRA - Locked Rotor Amps

Designation	MPYM008MY	MPYM009MY	MPYM012MP	MPYM014MP	MPYM024AJ	MPYM026AJ	MPYM026AJ	MPGM033AJ	MPYM034AJ
Code Number	114X4119	114X4120	114X4121	114X4122	114X4200	114X4212	114X4213	114X4220	114X4226
Compressor Description	MLY90RAB	MLY90RAB	MPT12RA	MPT14RA	CAJ9513Z	CAJ4517Z	TAJ4517Z	CAJ4511Y	CAJ4519Z
Oil	POE32	POE32	POE32	POE32	RL32HA/HT	RL32HA/HT	RL32HA/HT	RL32HA/HT	RL32HA/HT
Housing	H1	H1	H1	H1	H2	H2	H2	H2	H2
Spare Parts									
Compressor single pack	123B2510	123B2514	123B2518	123B2704	118U3995	118U3993	118U3991	118U3996	118U3994
Condenser	118U3492	118U3492	118U3492	118U3492	118U3493	118U3493	118U3493	118U3493	118U3493
Discharge pressure sensor	118U3722	118U3722	118U3722	118U3722	118U3722	118U3722	118U3722	118U3722	118U3722
Fan assembly									
Fan blade	118U3480	118U3480	118U3480	118U3480	118U3481	118U3481	118U3481	118U3481	118U3481
Fan capacitor	118U3296	118U3296	118U3296	118U3296	118U3297	118U3297	118U3297	118U3297	118U3297
Fan cowl/grill	118U3483	118U3483	118U3483	118U3483	118U3484	118U3484	118U3484	118U3484	118U3484
Fan motor	118U3477	118U3477	118U3477	118U3477	118U3823	118U3823	118U3823	118U3823	118U3823
Filter drier	023Z5039	023Z5040	023Z5040	023Z5040	023Z5040	023Z5040	023Z5040	023Z5041	023Z5040
High-pressure switch	118U3718	118U3718	118U3718	118U3718	118U3718	118U3718	118U3718	118U3718	118U3718
Liquid valve	009G7050	009G7050	009G7051	009G7051	009G7022	009G7022	009G7022	009G7022	009G7022
Low-pressure switch	118U3720	118U3720	118U3720	118U3720	118U3720	118U3720	118U3720	118U3720	118U3720
Receiver	118U3474	118U3474	118U3474	118U3474	118U3475	118U3475	118U3475	118U3475	118U3475
Sight glass	014L0181	014L0181	014L0181	014L0181	014L0172	014L0172	014L0172	014L0172	014L0172
Suction pressure sensor	118U3721	118U3721	118U3721	118U3721	118U3721	118U3721	118U3721	118U3721	118U3721
Suction valve	009G7051	009G7051	009G7051	009G7051	009G7021	009G7021	009G7021	009G7021	009G7021
Electrical Spare Parts									
Crankcase heater	192H2096	192H2096	192H2096	192H2096	192H2096	192H2096	192H2096	192H2096	192H2096
Optyma™ Plus Controller	118U3465	118U3465	118U3465	118U3465	118U3465	118U3465	118U3465	118U3465	118U3465
Discharge temperature sensor	084N2007	084N2007	084N2007	084N2007	084N2007	084N2007	084N2007	084N2007	084N2007
Suction and ambient temp sensor	084N0003	084N0003	084N0003	084N0003	084N0003	084N0003	084N0003	084N0003	084N0003
Contact kit	118U3845	118U3845	118U3845	118U3845	118U3845	118U3846	118U3845	118U3845	118U3847
Door handle	118U3858	118U3858	118U3858	118U3858	118U3858	118U3858	118U3858	118U3858	118U3858
Main switch kit	118U3853	118U3853	118U3853	118U3853	118U3851	118U3851	118U3851	118U3851	118U3852
Run capacitor	123B9315	123B9315	123B9315	123B9315					
Starting capacitor	123B9222	123B9222	123B9215	123B9226	118U5198	118U5195		118U5194	118U5196
Starting relay	123B9133	123B9133	123B9151	123B9139					
Electrical Characteristics									
Wiring Diagram	WD7	WD7	WD7	WD7	WD3	WD3	WD2	WD3	WD3
LRA Compressor [A]	14	17	18.5	21	33.5	38.5	18	30	45
MCC Compressor [A]	4.9	5.3	5.3	6.5	10.2	12.7	4	8.9	15.2
Max cont.power [kW]	0.55	0.62	0.84	1.03	1.75	1.96	2.05	1.5	2.7
MCC Fan [A]	0.32	0.32	0.32	0.32	0.47	0.47	0.47	0.47	0.47
Fan Power [W]	1x25	1x25	1x25	1x25	1x68	1x68	1x68	1x68	1x68
Min Fuse rating gL/gG (A)	10	10	10	16	20	20	10	16	20
Accessories (Not Premounted)									
Acoustic hood									
Adap-Kool Accessories									
External Display & settings	084B8575	084B8575	084B8575	084B8575	084B8575	084B8575	084B8575	084B8575	084B8575
Cable for EKA Displays 6 m	084B7299	084B7299	084B7299	084B7299	084B7299	084B7299	084B7299	084B7299	084B7299
Mounting kit for EKA Display	084B8584	084B8584	084B8584	084B8584	084B8584	084B8584	084B8584	084B8584	084B8584
MODBUS Communication Module	084B8571	084B8571	084B8571	084B8571	084B8571	084B8571	084B8571	084B8571	084B8571
Lon-Bus Communication Module	084B8579	084B8579	084B8579	084B8579	084B8579	084B8579	084B8579	084B8579	084B8579
Programming Key	084B8582	084B8582	084B8582	084B8582	084B8582	084B8582	084B8582	084B8582	084B8582
Sheet Metal									
Top Panel	118U5121	118U5121	118U5121	118U5121	118U5126	118U5126	118U5126	118U5126	118U5126
Fan Panel	118U5122	118U5122	118U5122	118U5122	118U5127	118U5127	118U5127	118U5127	118U5127
Back Panel	118U5123	118U5123	118U5123	118U5123	118U5128	118U5128	118U5128	118U5128	118U5128
Front Panel	118U5124	118U5124	118U5124	118U5124	118U5129	118U5129	118U5129	118U5129	118U5129
Access Panel	118U5125	118U5125	118U5125	118U5125	118U5130	118U5130	118U5130	118U5130	118U5130
Left side Panel	118U5163	118U5163	118U5163	118U5163	118U5164	118U5164	118U5164	118U5164	118U5164
Fan Panel (LH)									
Fan Panel (RH)									

MCA - Minimum Circuit Ampacity
MCC - Max Continuous Current
LRA - Locked Rotor Amps

Designation	MPYM034AJ	MPYM018AJ	MPXM034ML	MPXM034ML	MPXM046ML	MPXM046ML	MPXM057ML	MPXM057ML	MPXM068ML
Code Number	114X4227	114X4230	114X4261	114X4264	114X4281	114X4284	114X4290	114X4293	114X4308
Compressor Description	TAJ4519Z	CAJ9510Z	MLZ015T5	MLZ015T4	MLZ021T5	MLZ021T4	MLZ026T5	MLZ026T4	MLZ030T5
Oil	RL32HA/HT	RL32HA/HT	215PZ-POE46	215PZ-POE46	215PZ-POE46	215PZ-POE46	215PZ-POE46	215PZ-POE46	215PZ-POE46
Housing	H2	H2	H2	H2	H2	H2	H2	H2	H3
Spare Parts									
Compressor single pack	118U3989	118U3988	121L8631	121L8629	121L8635	121L8633	121L8639	121L8637	121L8643
Condenser	118U3493	118U3493	118U3493	118U3493	118U3493	118U3493	118U3493	118U3493	118U3494
Discharge pressure sensor	118U3722	118U3722	118U3722	118U3722	118U3722	118U3722	118U3722	118U3722	118U3722
Fan assembly									118U3829
Fan blade	118U3481	118U3481	118U3481	118U3481	118U3481	118U3481	118U3481	118U3481	
Fan capacitor	118U3297	118U3297	118U3297	118U3297	118U3297	118U3297	118U3297	118U3297	
Fan cowl/grill	118U3484	118U3484	118U3484	118U3484	118U3484	118U3484	118U3484	118U3484	118U3485
Fan motor	118U3823	118U3823	118U3823	118U3823	118U3823	118U3823	118U3823	118U3823	
Filter drier	023Z5040	023Z5041	023Z5041	023Z5041	023Z5041	023Z5041	023Z5041	023Z5041	023Z5045
High-pressure switch	118U3718	118U3718	118U3718	118U3718	118U3718	118U3718	118U3718	118U3718	118U3718
Liquid valve	009G7022	009G7022	009G7052	009G7052	009G7052	009G7052	009G7052	009G7052	009G7053
Low-pressure switch	118U3720	118U3720	118U3720	118U3720	118U3720	118U3720	118U3720	118U3720	118U3720
Receiver	118U3475	118U3475	118U3475	118U3475	118U3475	118U3475	118U3475	118U3475	118U3476
Sight glass	014L0172	014L0172	014L0173	014L0173	014L0173	014L0173	014L0173	014L0173	014L0174
Suction pressure sensor	118U3721	118U3721	118U3721	118U3721	118U3721	118U3721	118U3721	118U3721	118U3721
Suction valve	009G7021	009G7021	009G7054	009G7054	009G7054	009G7054	009G7054	009G7054	009G7055
Electrical Spare Parts									
Crankcase heater	192H2096	192H2096	120Z5040	120Z5040	120Z5040	120Z5040	120Z5040	120Z5040	120Z5040
Optyma™ Plus Controller	118U3465	118U3465	118U3465	118U3465	118U3465	118U3465	118U3465	118U3465	118U3465
Discharge temperature sensor	084N2007	084N2007	084N2007	084N2007	084N2007	084N2007	084N2007	084N2007	084N2007
Suction and ambient temp sensor	084N0003	084N0003	084N0003	084N0003	084N0003	084N0003	084N0003	084N0003	084N0003
Contact kit	118U3847	118U3845	118U3848	118U3845	118U3848	118U3846	118U3849	118U3846	118U3849
Door handle	118U3858	118U3858	118U3858	118U3858	118U3858	118U3858	118U3858	118U3858	118U3858
Main switch kit	118U3852	118U3851	118U3854	118U3851	118U3856	118U3852	118U3856	118U3852	118U3857
Run capacitor			8173231		120Z0051		120Z0051		8173233
Starting capacitor		118U5197	120Z0399		120Z0399		120Z0399		120Z0040
Starting relay			120Z0393		120Z0393		120Z0393		120Z0394
Electrical Characteristics									
Wiring Diagram	WD2	WD2	WD4	WD5	WD4	WD5	WD4	WD5	WD4
LRA Compressor [A]	30	30	60	30	97	45	97	45	127
MCC Compressor [A]	7	8	19	7	25	9.5	26	10	32
Max cont.power [kW]	2.73	1.3	2.53	2.73	3.38	3.33	4.42	4.14	4.89
MCC Fan [A]	0.47	0.47	0.47	0.47	0.47	0.47	0.47	0.47	0.97
Fan Power [W]	1x68	1x68	1x68	1x68	1x68	1x68	1x68	1x68	1x130
Min Fuse rating gL/gG (A)	10	16	25	16	40	20	40	20	50
Accessories (Not Premounted)									
Acoustic hood			120Z5043	120Z5043	120Z5043	120Z5043	120Z5043	120Z5043	120Z5044
Adap-Kool Accessories									
External Display & settings	084B8575	084B8575	084B8575	084B8575	084B8575	084B8575	084B8575	084B8575	084B8575
Cable for EKA Displays 6 m	084B7299	084B7299	084B7299	084B7299	084B7299	084B7299	084B7299	084B7299	084B7299
Mounting kit for EKA Display	084B8584	084B8584	084B8584	084B8584	084B8584	084B8584	084B8584	084B8584	084B8584
MODBUS Communication Module	084B8571	084B8571	084B8571	084B8571	084B8571	084B8571	084B8571	084B8571	084B8571
Lon-Bus Communication Module	084B8579	084B8579	084B8579	084B8579	084B8579	084B8579	084B8579	084B8579	084B8579
Programming Key	084B8582	084B8582	084B8582	084B8582	084B8582	084B8582	084B8582	084B8582	084B8582
Sheet Metal									
Top Panel	118U5126	118U5126	118U5126	118U5126	118U5126	118U5126	118U5126	118U5126	118U5131
Fan Panel	118U5127	118U5127	118U5127	118U5127	118U5127	118U5127	118U5127	118U5127	118U5132
Back Panel	118U5128	118U5128	118U5128	118U5128	118U5128	118U5128	118U5128	118U5128	118U5133
Front Panel	118U5129	118U5129	118U5129	118U5129	118U5129	118U5129	118U5129	118U5129	118U5134
Access Panel	118U5130	118U5130	118U5130	118U5130	118U5130	118U5130	118U5130	118U5130	118U5135
Left side Panel	118U5164	118U5164	118U5164	118U5164	118U5164	118U5164	118U5164	118U5164	118U5165
Fan Panel (LH)									
Fan Panel (RH)									

MCA - Minimum Circuit Ampacity
MCC - Max Continuous Current
LRA - Locked Rotor Amps

Designation	MPXM068ML	MPXM080ML	MPXM080ML	MPXM108ML	MPXM125ML	MPXM162ML
Code Number	114X4311	114X4321	114X4324	114X4344	114X4414	114X4434
Compressor Description	MLZ030T4	MLZ038T5	MLZ038T4	MLZ048T4	MLZ058T4	MLZ076T4
Oil	215PZ-POE46	215PZ-POE46	215PZ-POE46	215PZ-POE46	215PZ-POE46	215PZ-POE46
Housing	H3	H3	H3	H3	H4	H4
Spare Parts						
Compressor single pack	121L8641	121L8647	121L8645	121L8651	121L8653	121L8655
Condenser	118U3494	118U3494	118U3494	118U3494	118U3717	118U3717
Discharge pressure sensor	118U3722	118U3722	118U3722	118U3722	118U3722	118U3722
Fan assembly	118U3829	118U3829	118U3829	118U3829	118U3829	118U3829
Fan blade						
Fan capacitor						
Fan cowl/grill	118U3485	118U3485	118U3485	118U3485	118U3485	118U3485
Fan motor						
Filter drier	023Z5045	023Z5045	023Z5045	023Z5045	023Z5046	023Z5046
High-pressure switch	118U3718	118U3718	118U3718	118U3718	118U3718	118U3718
Liquid valve	009G7053	009G7053	009G7053	009G7053	009G7054	009G7054
Low-pressure switch	118U3720	118U3720	118U3720	118U3720	118U3720	118U3720
Receiver	118U3476	118U3476	118U3476	118U3476	118U3716	118U3716
Sight glass	014L0174	014L0174	014L0174	014L0174	014L0175	014L0175
Suction pressure sensor	118U3721	118U3721	118U3721	118U3721	118U3721	118U3721
Suction valve	009G7055	009G7055	009G7055	009G7055	009G7056	009G7056
Electrical Spare Parts						
Crankcase heater	120Z5040	120Z5040	120Z5040	120Z5040	120Z5040	120Z5040
Optyma™ Plus Controller	118U3465	118U3465	118U3465	118U3465	118U3465	118U3465
Discharge temperature sensor	084N2007	084N2007	084N2007	084N2007	084N2007	084N2007
Suction and ambient temp sensor	084N0003	084N0003	084N0003	084N0003	084N0003	084N0003
Contact kit	118U3847	118U3850	118U3847	118U3848	118U3847	118U3848
Door handle	118U3858	118U3858	118U3858	118U3858	118U3858	118U3858
Main switch kit	118U3852	118U3857	118U3852	118U3854	118U3855	118U3856
Run capacitor		8173234				
Starting capacitor		8173001				
Starting relay		120Z0395				
Electrical Characteristics						
Wiring Diagram	WD5	WD4	WD5	WD5	WD6	WD6
LRA Compressor [A]	60	130	70	87	95	140
MCC Compressor [A]	13	38	15	16	20	25
Max cont.power [kW]	4.88	5.77	5.78	7.55	9.39	11.41
MCC Fan [A]	0.97	0.47	0.97	0.97	2x0.97	2x0.97
Fan Power [W]	1x130	1x130	1x130	1x130	1x130	1x130
Min Fuse rating gL/gG (A)	20	50	20	25	32	40
Accessories (Not Premounted)						
Acoustic hood	120Z5044	120Z5044	120Z5044	120Z5044	120Z5045	120Z5045
Adap-Kool Accessories						
External Diplay & settings	084B8575	084B8575	084B8575	084B8575	084B8575	084B8575
Cable for EKA Displays 6 m	084B7299	084B7299	084B7299	084B7299	084B7299	084B7299
Mounting kit for EKA Display	084B8584	084B8584	084B8584	084B8584	084B8584	084B8584
MODBUS Communication Module	084B8571	084B8571	084B8571	084B8571	084B8571	084B8571
Lon-Bus Communication Module	084B8579	084B8579	084B8579	084B8579	084B8579	084B8579
Programming Key	084B8582	084B8582	084B8582	084B8582	084B8582	084B8582
Sheet Metal						
Top Panel	118U5131	118U5131	118U5131	118U5131	118U5136	118U5136
Fan Panel	118U5132	118U5132	118U5132	118U5132		
Back Panel	118U5133	118U5133	118U5133	118U5133	118U5139	118U5139
Front Panel	118U5134	118U5134	118U5134	118U5134		
Access Panel	118U5135	118U5135	118U5135	118U5135	118U5140	118U5140
Left side Panel	118U5165	118U5165	118U5165	118U5165	118U5166	118U5166
Fan Panel (LH)					118U5137	118U5137
Fan Panel (RH)					118U5138	118U5138

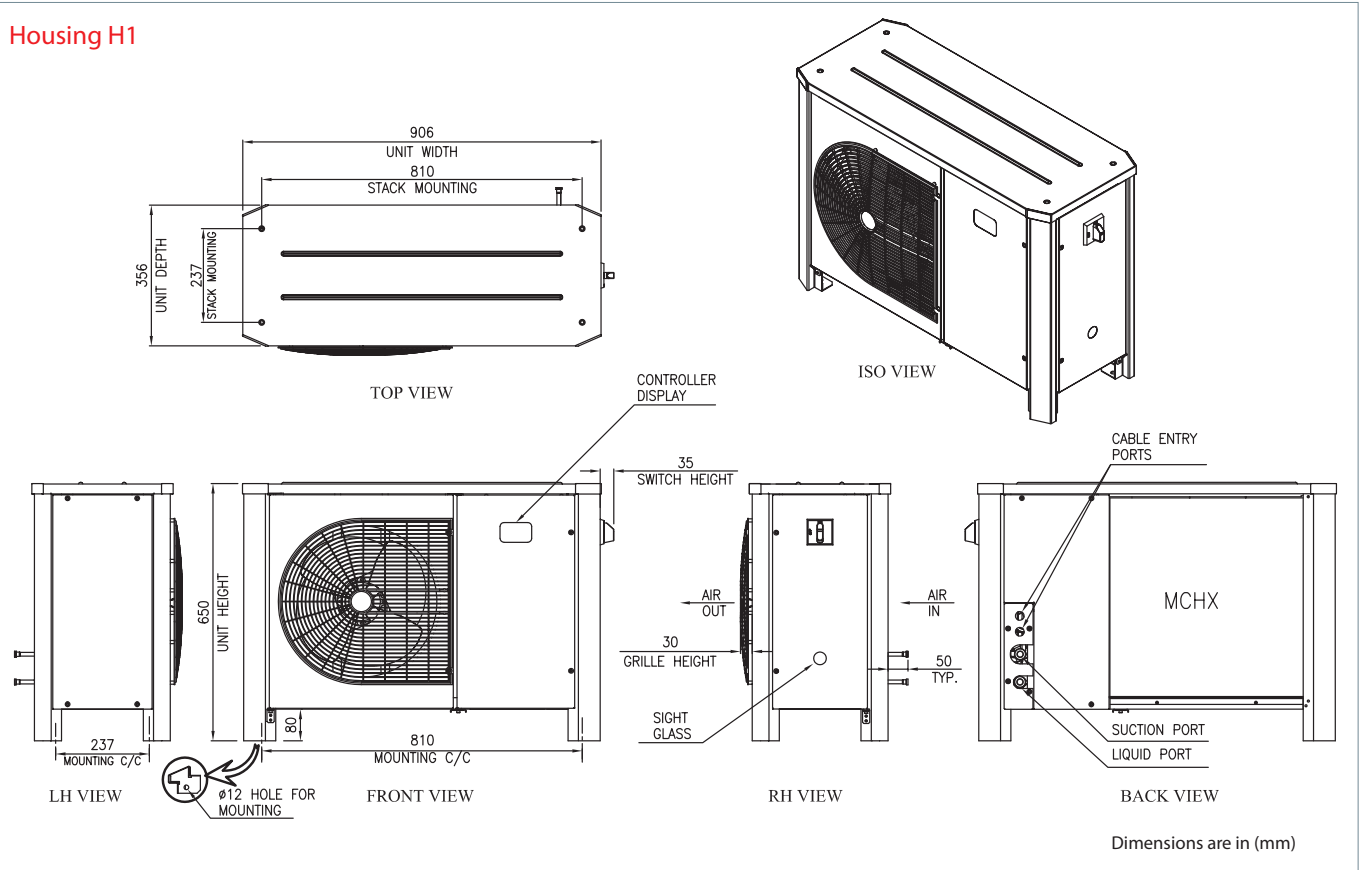
MCA - Minimum Circuit Ampacity
MCC - Max Continuous Current
LRA - Locked Rotor Amps

Component type	Component code	Component description	Additional informations
Acoustic Hood	120Z0575	ACOUSTIC HOOD COMP 1CYL	
Acoustic Hood	120Z5043	ACCOUSTIC HOOD - SMALL FRAME	
Acoustic Hood	120Z5044	Acoustic hood for Scroll MLZ compressor	
Acoustic Hood	120Z5045	ACCOUSTIC HOOD, LARGE FRAME	
Acoustic Hood	120Z5052	Sound Cover, LLZ013-018	
Cable for EKA Displays 6 m	084B7299	EKA Accessory	
Capacitor	8173001	CAPACITOR 100µF 330V+R	
Capacitor	8173041	CAPACITOR 30µF 450V	
Compressor Single Pack	118U3751	TAJ4519Z - AJ1 range	Phased out & replaced by 118U3989 from SN: 054428CG3916
Compressor Single Pack	118U3770	TAJ4517Z - AJ1 range	Phased out & replaced by 118U3991 from SN: 054428CG3916
Compressor Single Pack	118U3779	CAJ2446Z - AJ1 range	Phased out & replaced by 118U3992 from SN: 054428CG3916
Compressor Single Pack	118U3810	CAJ4517Z - AJ1 range	Phased out & replaced by 118U3993 from SN: 054428CG3916
Compressor Single Pack	118U3811	CAJ4519Z - AJ1 range	Phased out & replaced by 118U3994 from SN: 054428CG3916
Compressor Single Pack	118U3912	CAJ9513Z - AJ1 range	Phased out & replaced by 118U3995 from SN: 054428CG3916
Compressor Single Pack	118U3914	FH2511Z	
Compressor Single Pack	118U3915	TFH2511Z	
Compressor Single Pack	118U3988	CAJ9510Z - AJ2 range	
Compressor Single Pack	118U3989	TAJ4519Z - AJ2 range	
Compressor Single Pack	118U3991	TAJ4517Z - AJ2 range	
Compressor Single Pack	118U3992	CAJ2446Z - AJ2 range	
Compressor Single Pack	118U3993	CAJ4517Z - AJ2 range	
Compressor Single Pack	118U3994	CAJ4519Z - AJ2 range	
Compressor Single Pack	118U3995	CAJ9513Z - AJ2 range	
Compressor Single Pack	118U3996	CAJ4511Y - AJ2 range	
Compressor Single Pack	120F0226	NTZ048-4LR1B	
Compressor Single Pack	120F0228	NTZ048-5LR1B	
Compressor Single Pack	120F0230	NTZ068-4LR1B	
Compressor Single Pack	120F0232	NTZ068-5LR1B	
Compressor Single Pack	120F0234	NTZ096A4LR1B	
Compressor Single Pack	120F0236	NTZ136A4LR1B	
Compressor Single Pack	121L8629	MLZ015T4LP9A	
Compressor Single Pack	121L8631	MLZ015T5LP9A	
Compressor Single Pack	121L8633	MLZ021T4LP9A	
Compressor Single Pack	121L8635	MLZ021T5LP9A	
Compressor Single Pack	121L8637	MLZ026T4LP9A	
Compressor Single Pack	121L8639	MLZ026T5LP9A	
Compressor Single Pack	121L8641	MLZ030T4LC9A	
Compressor Single Pack	121L8643	MLZ030T5LC9A	
Compressor Single Pack	121L8645	MLZ038T4LC9A	
Compressor Single Pack	121L8647	MLZ038T5LC9A	
Compressor Single Pack	121L8651	MLZ048T4LC9A	
Compressor Single Pack	121L8653	MLZ058T4LC9A	
Compressor Single Pack	121L8655	MLZ076T4LC9A	
Compressor Single Pack	121L9541	LLZ024T4LQ9A	
Compressor Single Pack	121L9543	LLZ034T4LQ9A	
Compressor Single Pack	123B2127	MPT16LA	
Compressor Single Pack	123B2510	MLY80RAB	
Compressor Single Pack	123B2514	MLY90RAB	
Compressor Single Pack	123B2518	MPT12RA	
Compressor Single Pack	123B2704	MPT14RA	
Compressor Single Pack	195B0323	SC12MLX	CU phased out but spare part still available
Compressor Single Pack	195B0332	SC18CLX.2	CU phased out but spare part still available
Compressor Single Pack	195B0345	SC10MLX	CU phased out but spare part still available
Compressor Single Pack	195B0391	SC15MLX	CU phased out but spare part still available
Compressor Single Pack	195B0427	GS26CLX	CU phased out but spare part still available
Compressor Single Pack	195B0435	GS34MFX	CU phased out but spare part still available
Compressor Single Pack	195B0438	GS34MLX	CU phased out but spare part still available
Compressor Single Pack	195B0443	NF7MLX	CU phased out but spare part still available
Compressor Single Pack	195B0624	SC18MLX	CU phased out but spare part still available
Condenser	118U3492	A7	
Condenser	118U3493	D7	
Condenser	118U3494	G7	
Condenser	118U3717	J7	

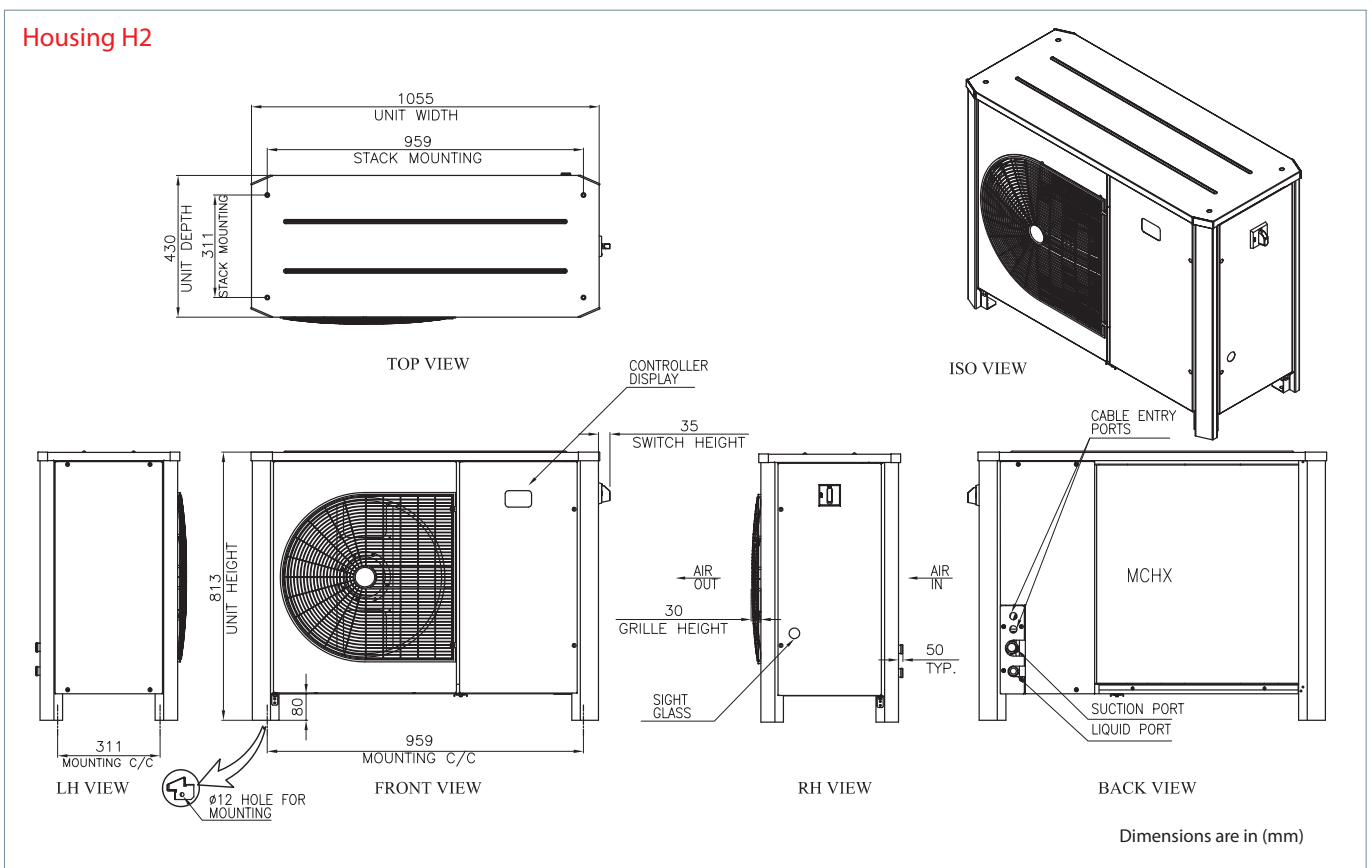
Component type	Component code	Component description	Additional informations
Contactorkit	118U3845	A 9-30-01-80, DILM07-01, DILM09-01	
Contactorkit	118U3846	A12-30-01-80, DILM12-01	
Contactorkit	118U3847	A 16-30-01-80, DILM15-01	
Contactorkit	118U3848	A 26-30-01-80, DILM17-01	
Contactorkit	118U3849	A 30-30-01-80, DILM25-01	
Contactorkit	118U3850	A 50-30-00-80, DILM32-01	
Crankcase heater	120Z0057	Belt type, 50 W, 230 V, CE mark, UL	
Crankcase heater	120Z0459	PTC heater 27 W, CE mark, UL	
Crankcase heater	120Z5040	Belt type, 70 W, 240 V, CE mark, UL	
Crankcase heater	118U0051	CRANKCASE HEATER 55W	192H2096 Phased out Use 118U0051
Discharge pressure sensor	118U3722	AKS 32R 0...32 bar	
Discharge temperature sensor	084N2007	AKS21A	
Door handle	118U3858	Door handle, ABB-OHB2AJM,MSMN,OXSSX131	
External Display & settings	084B8575	EKA164B	
Fan assembly	118U3829	Fan assembly	
Fan blade	118U3480	Fan blade	
Fan blade	118U3481	Fan blade	
Fan capacitor	118U3296	1,8 µF	
Fan capacitor	118U3297	3,5 µF	
Fan cowl/grill	118U3483	Ä, 356 mm	
Fan cowl/grill	118U3484	Ä, 457 mm	
Fan cowl/grill	118U3485	Ä, 609 mm	
Fan motor (Capacitor not included)	118U3477	25 W	
Fan motor (Capacitor not included)	118U3823	68 W	
Filter drier	023Z5039	DML082	
Filter drier	023Z5040	DML083	
Filter drier	023Z5041	DML084	
Filter drier	023Z5044	DML164	
Filter drier	023Z5045	DML165	
Filter drier	023Z5046	DML 166	
High-pressure switch	118U3718	ACB-2UB463W	
Liquid valve	009G7050	GBC 6s Ball Valve M/25	
Liquid valve	009G7051	GBC 10s	
Liquid valve	009G7052	GBC 12s Ball Valve M/25	
Liquid valve	009G7053	Liquid line valve	
Liquid valve	009G7054	Suction line valve	
Lon-Bus COM Module	084B8579	EKA175	
Low-pressure switch	118U3720	ACB-2UA418W	
Main switch kit	118U3855	MS132 - 25	
Main switch kit	118U3856	MS132 - 32	
Main switch kit	118U3857	MS450 - 40	
MODBUS COM Module	084B8571	EKA178B	
Mounting kit for EKA Display	084B8584	EKA Accessory	
MPCB	118U3851	MPCB, ABB-MS116-10+HK1-12	
MPCB	118U3852	MPCB, ABB-MS116-16+HK1-12	
MPCB	118U3853	MPCB, ABB-MS116-6.3+HK1-12	
MPCB	118U3854	MPCB, ABB-MS132-20+HK1-12	
Oil	-	POE32 for Light Commercial (MLY / MPT)	
Oil	-	RL32HA/HT for light Commercial (CAJ/FH/TAJ/TFH)	
Oil	120Z0638	1 litre can of 175PZ - POE (NTZ Platform)	CU with a SN above 051220CG3016
Oil	120Z0639	2,5 litre can of 175PZ - POE (NTZ Platform)	CU with a SN above 051220CG3016
Oil	120Z0648	1 litre can of 215PZ - POE46 (MLZ & LLZ Platform)	CU with a SN above 051220CG3016
Optyma Plus Controller	118U3465	OPTYMA PLUS CONTROLLER-084B8080	
Programming Key	084B8582	AKA183A	
Receiver	118U3474	1,3 L	
Receiver	118U3475	3,4 L	
Receiver	118U3476	6,2 L	
Receiver	118U3716	10 L	
Run capacitor	7701035	PSC starting kit, 30 µF, 15 µF	
Run capacitor	8173231	Run capacitor 440V, 40 µF	
Run capacitor	8173233	Run capacitor 440V, 50 µF	
Run capacitor	8173234	Run capacitor 440V, 55 µF	
Run capacitor	120Z0051	Run capacitor 70 µF	

Component type	Component code	Component description	Additional informations
Sight glass	014L0172	SGP 10 N	
Sight glass	014L0173	SGP 12 N	
Sight glass	014L0174	SGP 16 N	
Sight glass	014L0175	SGP 19 N	
Sight glass	014L0181	SGP 6s N	
Sight glass	014L0182	SGP 10s N	
Starting capacitor	117U5012	Start capacitor 125 µF, 220V - SC	
Starting capacitor	117U5017	Start capacitor 80 µF, 220V - SC	
Starting capacitor	117U5018	Start capacitor 125 µF, 220V - NF,NL	
Starting capacitor	120Z0040	Start capacitor 161-193 µF	
Starting capacitor	120Z0399	Start capacitor 145-175 µF	
Starting relay	8173022	Starting relay type RVA-6AMKL/3ARR3J4A4	
Starting relay	117U4139	RELAY ASSY. HST - "MRP56EN-6; 117U2121	
Starting relay	117U6011	Starting Relay SC	
Starting relay	117U6013	Starting Relay	
Starting relay	120Z0393	Starting relay type RVA9CKL/3ARR3J4A4	
Starting relay	120Z0394	Starting relay type RVA3EKL/3ARR3J24P4	
Starting relay	120Z0395	Starting relay type RVA4GKL/3ARR3J25S4	
Relay	117-7027	SC-RELAY	
Suc & Amb temp sensor	084N0003	AKS11	
Suction pressure sensor	118U3721	AKS 32R -1...12 bar	
Suction valve	009G7055	GBC 22s Ball Valve M/25	
Suction valve	009G7056	GBC 28s Ball Valve M/5	
Starting KIT	118U5191	CAJ2446Z _ F1 KIT Capacitor and relay	
Starting KIT	118U5192	CAJ2464Z _ F1 KIT Capacitor and relay	
Starting KIT	118U5193	CAJ4492Y _ F1 KIT Capacitor and relay	
Starting KIT	118U5194	CAJ4511Y _ F1KIT Capacitor and relay	
Starting KIT	118U5195	CAJ4517Z _ F1 KIT Capacitor and relay	
Starting KIT	118U5196	CAJ4519Z _ F1 KIT Capacitor and relay	
Starting KIT	118U5197	CAJ9510Z _ F1 KIT Capacitor and relay	
Starting KIT	118U5198	CAJ9513Z _ F1KIT Capacitor and relay	
Starting KIT	118U5199	FH2511Z _ F1KIT Capacitor and relay	
Start capacitor	123B9316	STARTING CAPACITOR+CC 72-88µF/330V R216	
Run C capacitor	123B9219	RUN CAPACITOR 16µF/420V, REF. 321	
Relay	123B9151	RELAY + CON. BOARD 1158-8 BDG 158S+ NTC	
Start capacitor	123B9315	STARTING CAPACITOR+CC 64-77µF/330V R205	
Run C capacitor	123B9222	RUN CAPACITOR 10µF/420V, REF. 326	
Relay	123B9133	RELAY + CON. BOARD 1149-8 BDG 149S+ NTC	
Start capacitor	117U5373	START CAPACITOR 80 mfd	
Relay	123B9139	RELAY + CON. BOARD 1166-8 BDG 166S+ NTC	
Run C capacitor	123B9226	RUN CAPACITOR 25µF/420V, REF. 310 MET.	
Top Panel H1	118U5121	SPARE PART, SHEET METAL TOP H1	
Fan panel H1	118U5122	SPARE PART, SHEET METAL FAN H1	
Back Panel H1	118U5123	SPARE PART, SHEET METAL BACK H1	
Front Panel H1	118U5124	SPARE PART, SHEET METAL FRONT H1	
Access Panel H1	118U5125	SPARE PART, SHEET METAL ACCESS H1	
Left Side Panel H1	118U5163	SPARE PART, SHEET METAL LEFT SIDE H1	
Top Panel H2	118U5126	SPARE PART, SHEET METAL TOP H2	
Fan panel H2	118U5127	SPARE PART, SHEET METAL FAN H2	
Back Panel H2	118U5128	SPARE PART, SHEET METAL BACK H2	
Front Panel H2	118U5129	SPARE PART, SHEET METAL FRONT H2	
Access Panel H2	118U5130	SPARE PART, SHEET METAL ACCESS H2	
Left Side Panel H2	118U5164	SPARE PART, SHEET METAL LEFT SIDE H2	
Top Panel H3	118U5131	SPARE PART, SHEET METAL TOP H3	
Fan panel H3	118U5132	SPARE PART, SHEET METAL FAN H3	
Back Panel H3	118U5133	SPARE PART, SHEET METAL BACK H3	
Front Panel H3	118U5134	SPARE PART, SHEET METAL FRONT H3	
Access Panel H3	118U5135	SPARE PART, SHEET METAL ACCESS H3	
Left Side Panel H3	118U5165	SPARE PART, SHEET METAL LEFT SIDE H3	
Top Panel H4	118U5136	SPARE PART, SHEET METAL TOP H4	
Fan LH panel H4	118U5137	SPARE PART, SHEET METAL FAN LH H4	
Fan RH panel H4	118U5138	SPARE PART, SHEET METAL FAN RH H4	
Back Panel H4	118U5139	SPARE PART, SHEET METAL BACK H4	
Access Panel H4	118U5140	SPARE PART, SHEET METAL ACCESS H4	
Left Side Panel H4	118U5166	SPARE PART, SHEET METAL LEFT SIDE H4	

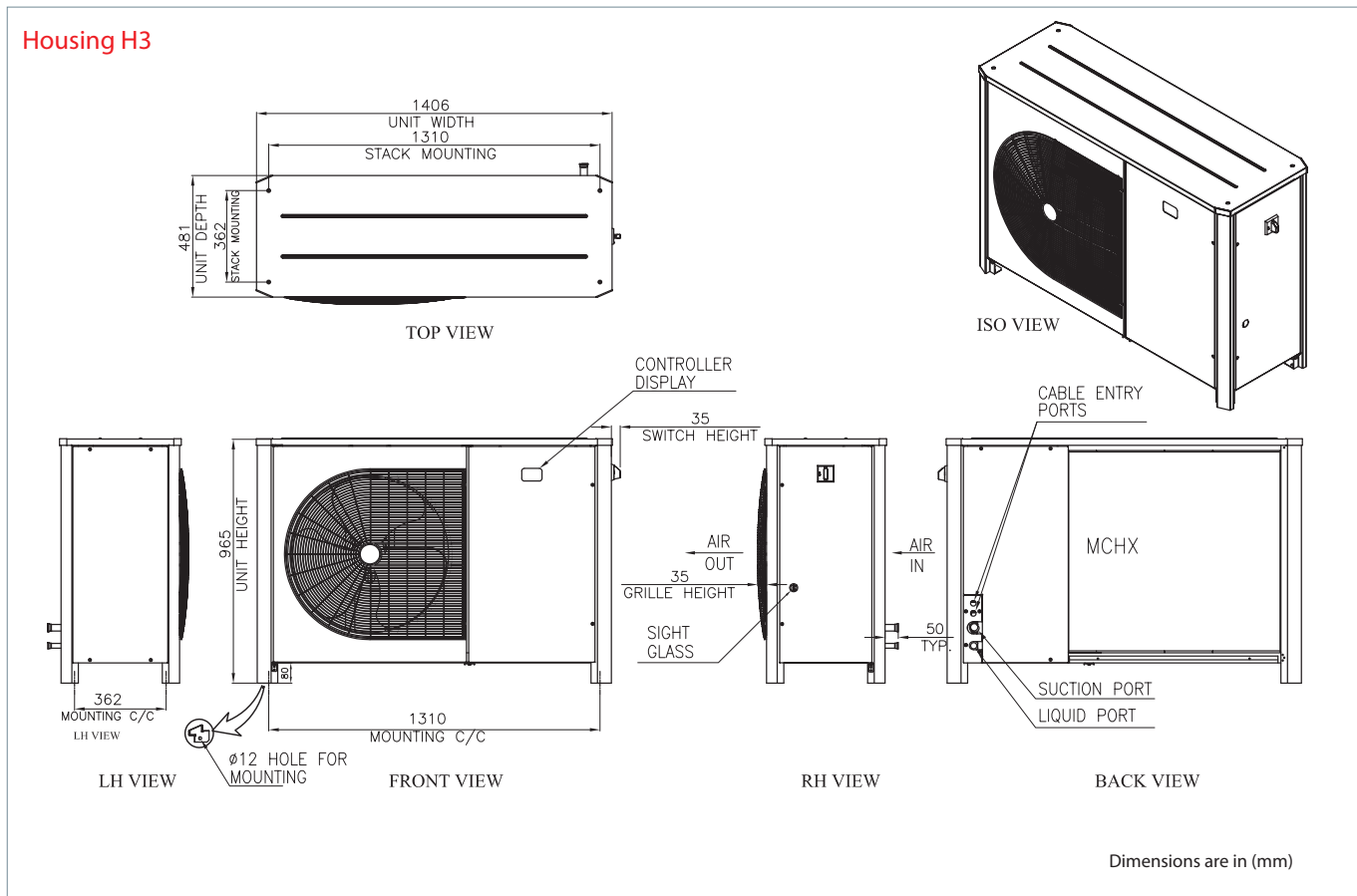
Housing H1



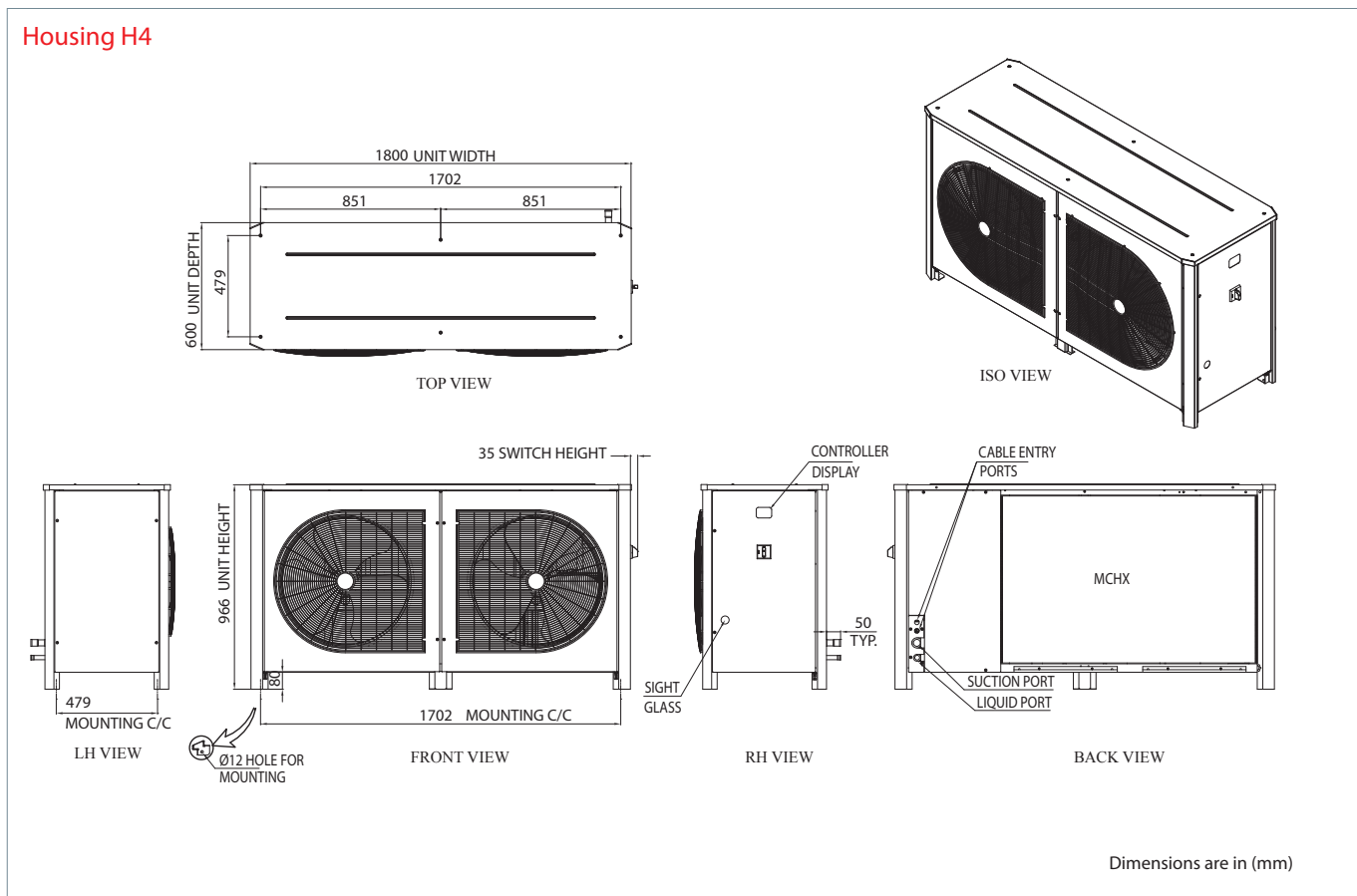
Housing H2

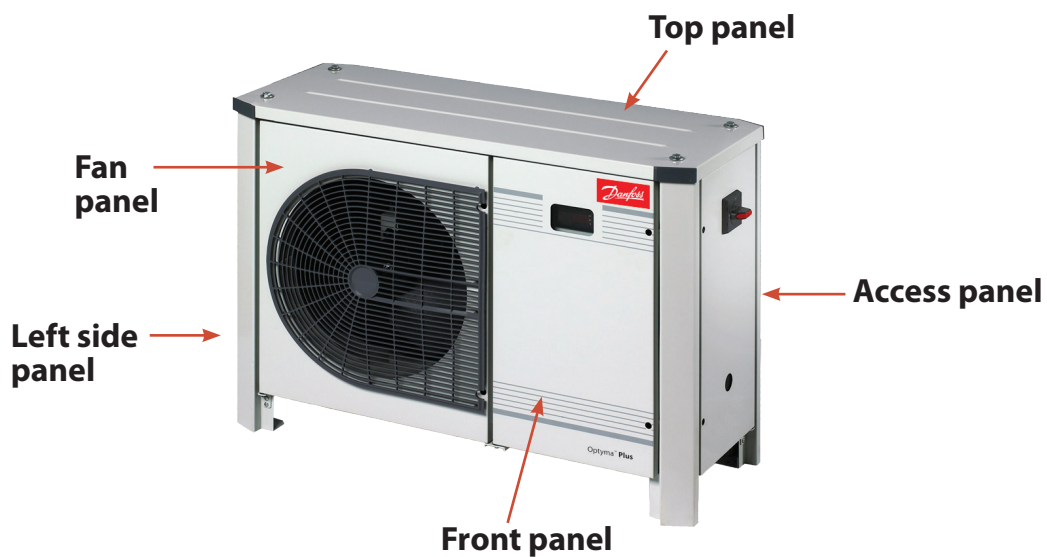


Housing H3

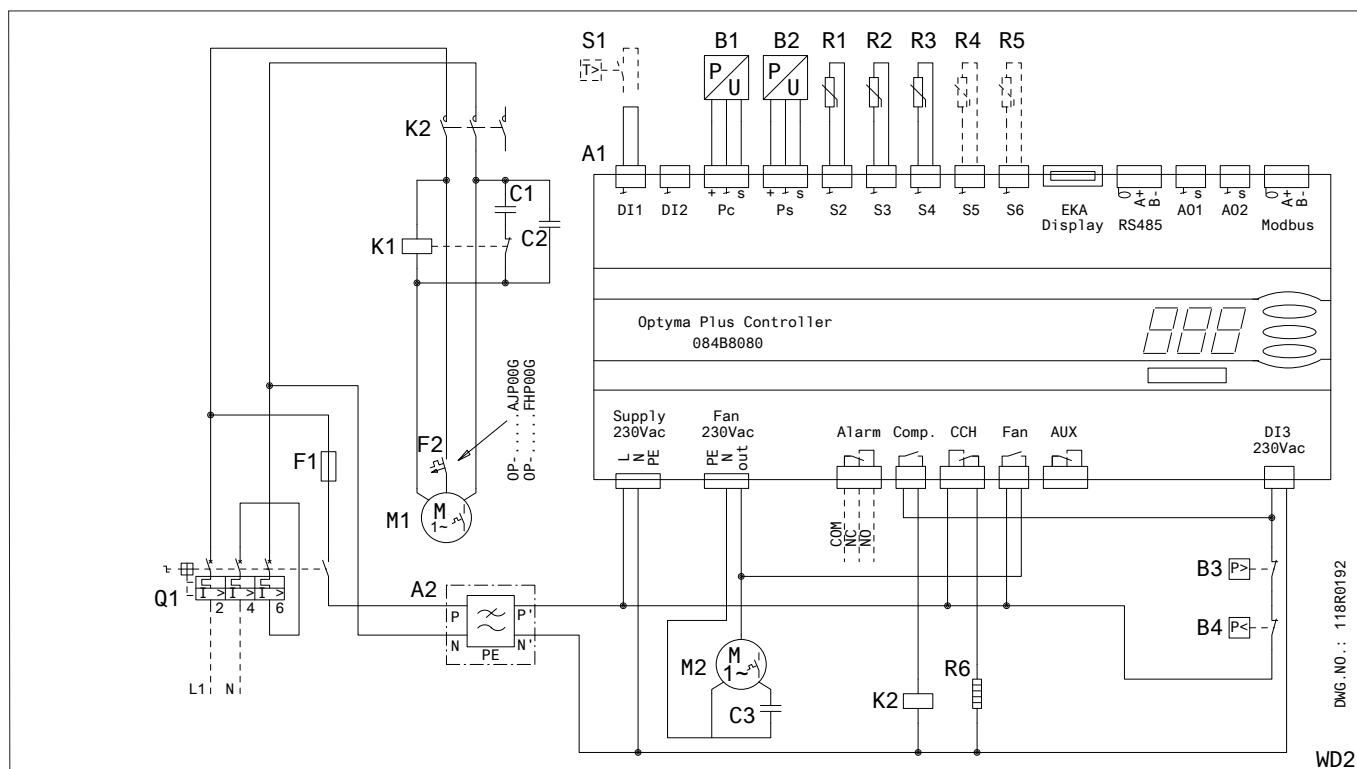


Housing H4





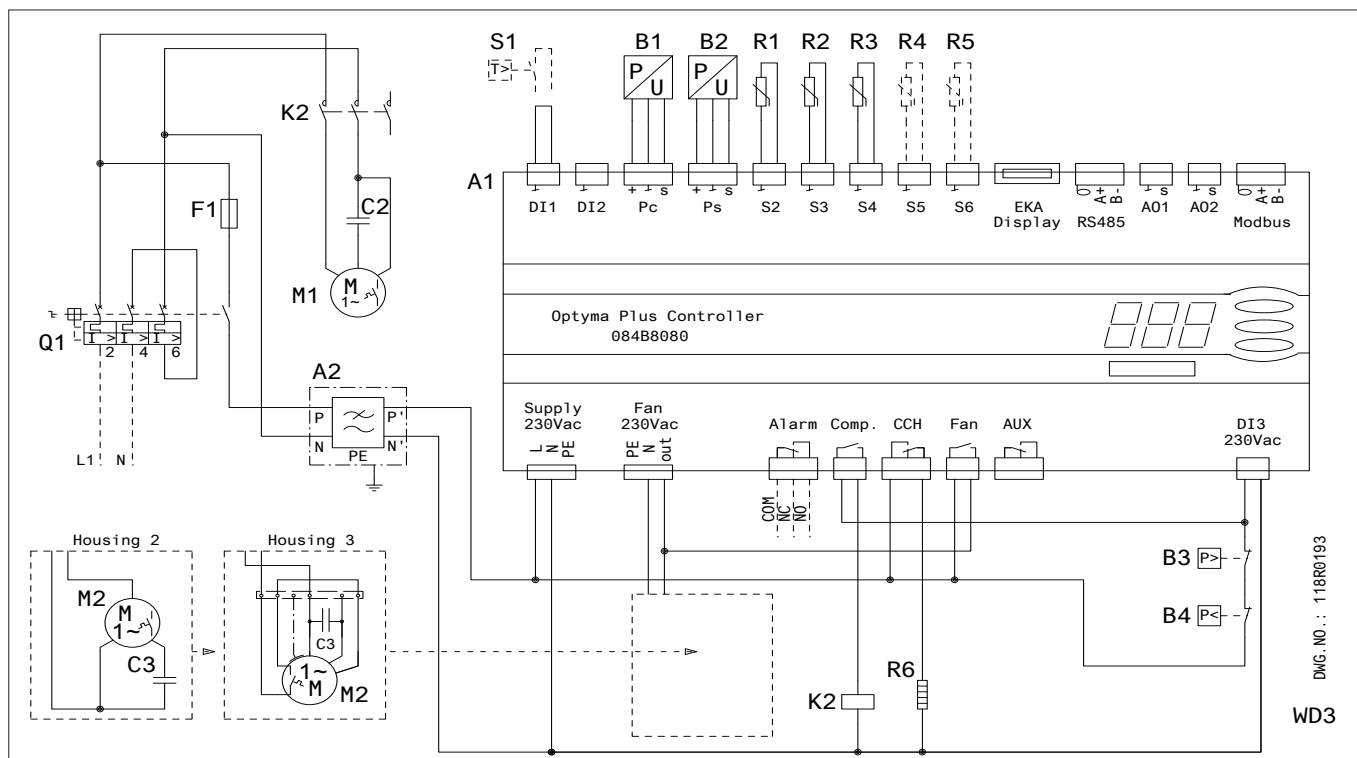
Code G : OP-LPQM026-048-068-074, OP-MPGM033-34, OP-MPYM018-024-026-034



DWG. NO. : 118R0192

WD2

Code G : OP-MPX034-046-057-068-080



DWG. NO. : 118R0193

WD3

A1 : Optyma™ Plus Controller

A2 : EMI Filter

B1 : Condensing Pressure Transducer B2 : Suction Pressure Transducer

B3 : High Pressure Switch

B4 : Low Pressure Switch

C1 : Start Capacitor (Compressor)

C2 : Run Capacitor (Compressor)

C3 : Run Capacitor (Fan)

F1 : Fuse (Control Circuit)

F2 : Motor Protector

K1 : Start Relay

K2 : Contactor

M1 : Compressor

M2 : Fan Motor

Q1 : Main Switch

R1 : Ambient Temp. Sensor

R2 : Discharge Temp. Sensor

R3 : Suction Temp. Sensor

R4,R5 : Auxiliary Temp. Sensor (optional)

R6 : Crankcase Heater

S1 : Room Thermostat (optional)

Supply : Supply

Fan : Fan

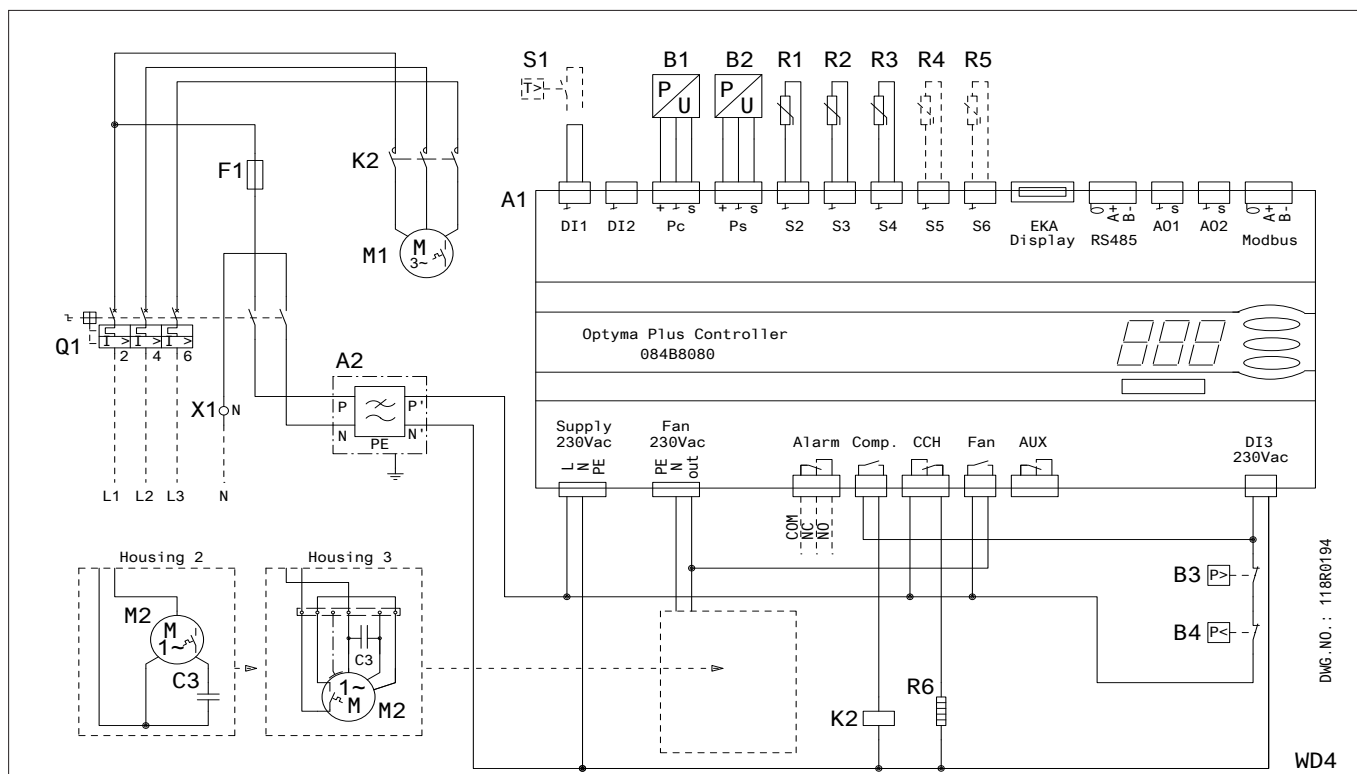
Alarm : Alarm

Comp. : Compressor

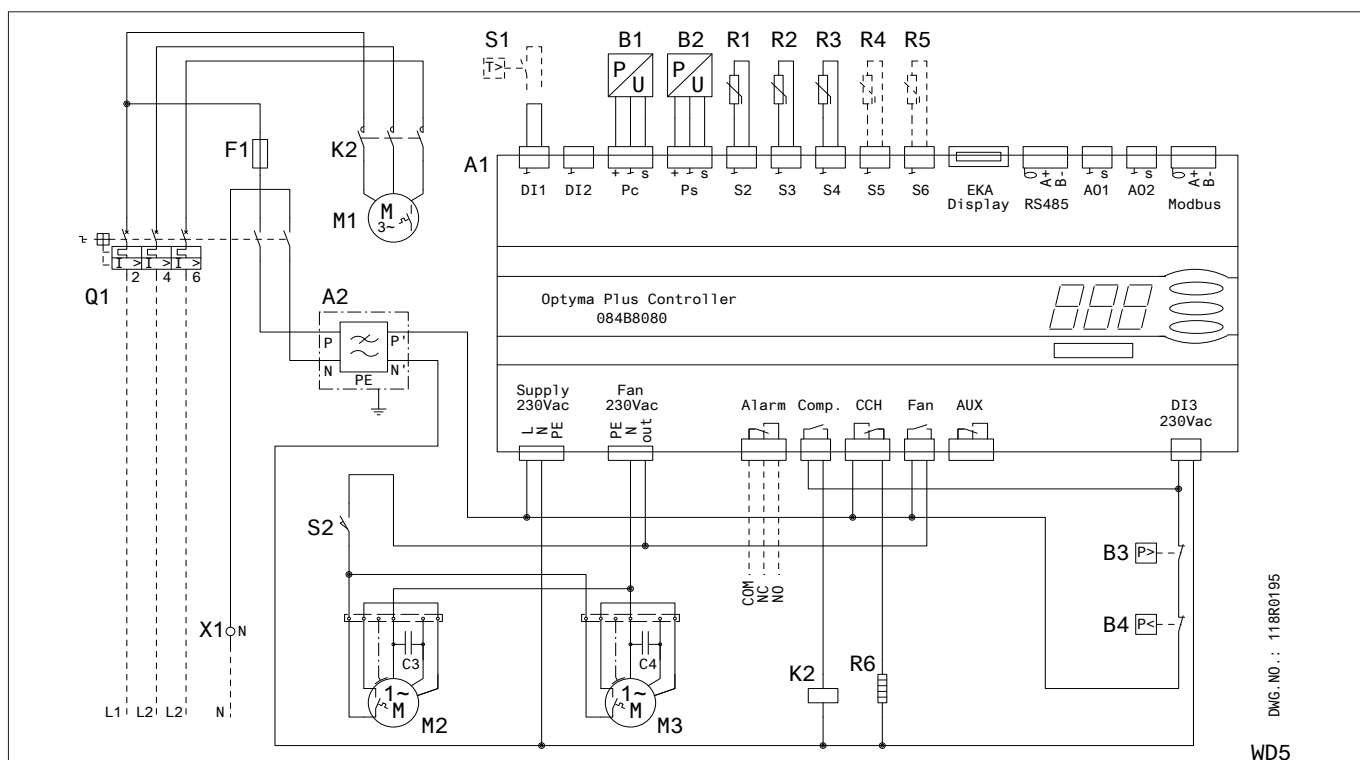
CCH : Crankcase Heater

Aux : Auxiliary

Code E : OP-LPQM048-068-074-096-136 & OP-MPXM034-046-057-068-080-108



Code E : OP-LPQM215-271 & OP-MPXM125-162



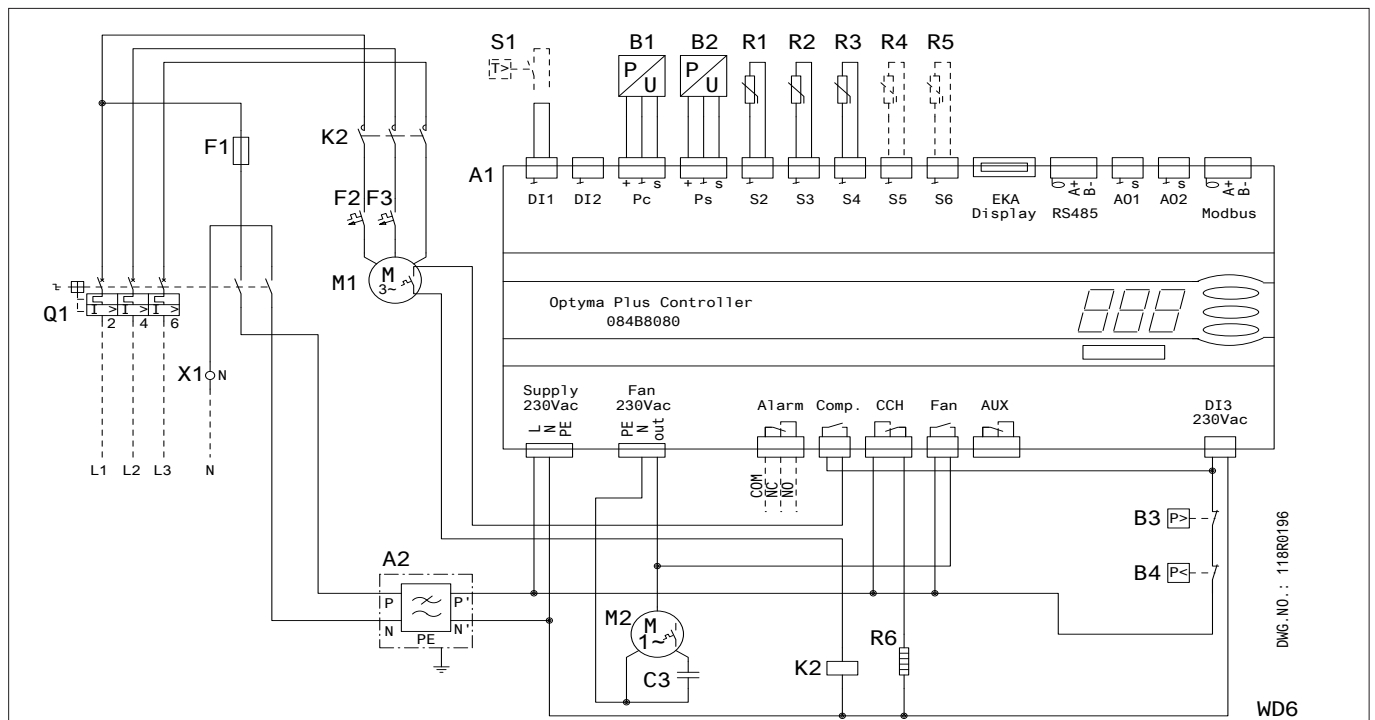
A1 : Optyma™ Plus Controller
 A2 : EMI Filter
 B1 : Condensing Pressure Transducer
 B2 : Suction Pressure Transducer
 B3 : High Pressure Switch
 B4 : Low Pressure Switch
 C3 : Run Capacitor (Fan 1)
 C4 : Run Capacitor (Fan 2)

F1 : Fuse (Control Circuit)
 K2 : Contactor
 M1 : Compressor
 M2 : Fan Motor 1
 M3 : Fan Motor 2
 Q1 : Main Switch
 R1 : Ambient Temp. Sensor
 R2 : Discharge Temp. Sensor

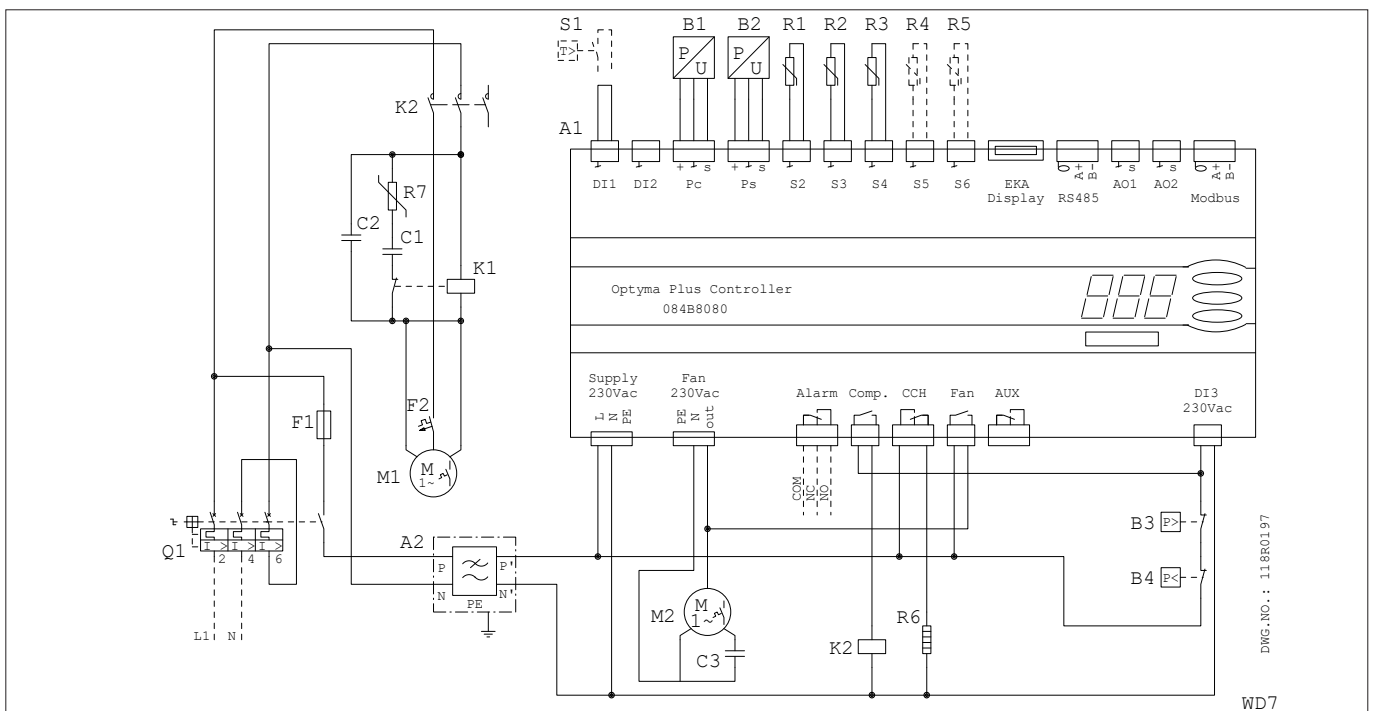
R3 : Suction Temp. Sensor
 R4,R5 : Auxiliary Temp. Sensor (optional)
 R6 : Crankcase Heater
 S1 : Room Thermostat (optional)
 S2 : Door Limit Switch
 X1 : Terminal

Supply : Supply
 Fan : Fan
 Alarm : Alarm
 Comp. : Compressor
 CCH : Crankcase Heater
 Aux : Auxiliary

Code E : OP-MPYM026-034



Code G : OP-LPQM017 & OP-MPYM008-009-012-014



- A1 : Optyma™ Plus Controller
- A2 : EMI Filter
- B1 : Condensing Pressure Transducer
- B2 : Suction Pressure Transducer
- B3 : High Pressure Switch
- B4 : Low Pressure Switch
- C1 : Start Capacitor (Compressor)
- C2 : Run Capacitor (Compressor)
- C3 : Run Capacitor (Fan)

- F1 : Fuse (Control Circuit)
- F2,F3 : Motor protector
- K1 : Start Relay
- K2 : Contactor
- M1 : Compressor
- M2 : Fan Motor
- Q1 : Main Switch
- R1 : Ambient Temp. Sensor
- R2 : Discharge Temp. Sensor

- R3 : Suction Temp. Sensor
- R4,R5 : Auxiliary Temp. Sensor (optional)
- R6 : Crankcase Heater
- R7 : NTC Resistor
- S1 : Room Thermostat (optional)
- X1 : Terminal

- Supply : Supply
- Fan : Fan
- Alarm : Alarm
- Comp. : Compressor
- CCH : Crankcase Heater
- Aux : Auxiliary

Optyma™ Plus INVERTER

Capacity modulation in a simple and adaptive package

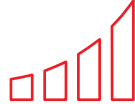
Combines our market-leading expertise in condensing unit design with the unique benefits of stepless inverter scroll technology. The result is energy consumption reduced by up to 30% with better food preservation.

Best SEPR with stepless modulation reduces energy consumption by up to **30%**



Quick and safe installation and service

Preset parameters and Modbus communication makes start-up and maintenance of the condensing unit effortlessly quick and easy.



High SEPR*: 3.84 – certified by ASERCOM

All models in the range are highly efficient and well above EcoDesign 2018 thresholds, contributing to a reduction in energy costs. *SEPR: Seasonal Energy Performance Ratio.



Accurate temperature control

Accurate temperature control and low in-rush current result in a more stable storage temperature and longer product shelf life.



Extended capacity

Stepless compressor modulation - able to slow down and speed up from 30 to 100 RPS to save energy and match load fluctuations very accurately. The inverter drive incorporates smart logic to increase reliability during operation.



Designed for ultimate efficiency

Stepless capacity modulation

From 30 to 100 rps modulation leads to 20-30% higher energy efficiency compared to fixed-speed condensing units.

Simple commissioning

Preset drive parameters with dedicated refrigeration software.

Future-proof

Working with lower GWP refrigerants such as R448A and R449. Also compatible with R407A/F and R404A.



Danfoss compressor and drive package

Dedicated to refrigeration with years of market application and validation.

Simple plug-and-play installation

Safe, simple and hassle-free installation with tried-and-tested components.

Full intelligent control through the Optyma™ Plus Controller

Control, alarm management, day & night operation, can connect to ADAP-KOOL® software, etc.

High SEPR/COP cuts energy costs

E.g. in a cold room where meat is stored and with 9 kW of cooling capacity.

Optyma™ Plus INVERTER MBP unit vs mechanically modulated technology*

Cooling cap.: 9 kW
Refrigerant: R407F



UNIT	Danfoss	Market
SEPR	3.84	2.50
USAGE	~ 14 000 kWh	~ 21 600 kWh

Annual energy consumption saved: 7 600 kWh

Savings based on cost of energy:

FRANCE: 0.11€ / 1 KWH = 7 600 x 0.11 = 836€

UK: 0.15€ / 1 KWH = 7 600 x 0.15 = 1 140 €

GERMANY: 0.20€ / 1 KWH = 7 600 x 0.20 = 1 520€

1 520€ annual electricity savings made by your customer in Germany

* Source: Danfoss

Model	Code	Version	Compressor	Electrical code (1)	Compressor speed, rps	Tamb [°C]	Cooling capacity Q [kW] (2)					EcoDesign (3)				Sound power level dB(A)	Sound pressure level 10 m dB(A)
							Te [°C]					Q [kW]	P [kW]	COP	SEPR		
							-15 °C	-10 °C	-5 °C	0 °C	5 °C						
OP-MPPM028VVL	114X4302	P01	VLZ028TGA	E	30	27	1.465	1.839	2.276	2.783	3.365					71	40
						32	1.375	1.732	2.149	2.633	3.190						
						38	-	-	-	-	-						
						43	-	-	-	-	-						
					50	27	2.494	3.107	3.816	4.629	5.553					72	41
						32	2.346	2.930	3.605	4.379	5.259						
						38	-	2.706	3.338	4.064	4.891						
						43	-	2.510	3.106	3.790	4.571						
					75	27	3.656	4.527	5.536	6.695	8.013					73	42
						32	3.443	4.270	5.226	6.324	7.573						
						38	-	3.949	4.842	5.866	7.032						
						43	-	3.670	4.509	5.472	6.569						
					100	27	4.686	5.774	7.041	8.502	10.171					74	43
						32	4.421	5.451	6.648	8.028	9.605	5.548	3.058	1.81	3.38		
						38	-	5.056	6.170	7.454	8.922						
						43	-	4.713	5.761	6.967	8.346						
OP-MPPM035VVL	114X4316	P01	VLZ035TGA	E	30	27	1.836	2.301	2.845	3.476	4.201					73	42
						32	1.722	2.166	2.684	3.284	3.974						
						38	-	-	-	-	-						
						43	-	-	-	-	-						
					50	27	3.091	3.846	4.713	5.699	6.812					74	43
						32	2.896	3.616	4.442	5.381	6.441						
						38	-	3.327	4.102	4.983	5.977						
						43	-	3.076	3.806	4.637	5.577						
					75	27	4.505	5.569	6.792	8.183	9.752					74	43
						32	4.227	5.238	6.396	7.713	9.200						
						38	-	4.827	5.907	7.136	8.523						
						43	-	4.472	5.487	6.641	7.945						
					100	27	5.773	7.090	8.615	10.361	12.338					75	44
						32	5.439	6.683	8.119	9.765	11.631	6.814	3.837	1.78	3.29		
						38	-	6.185	7.518	9.045	10.779						
						43	-	5.757	7.006	8.436	10.061						
OP-MPPM044VVL	114X4334	P01	VLZ044TGA	E	30	27	2.364	2.954	3.637	4.422	5.317					73	42
						32	2.213	2.776	3.429	4.180	5.037						
						38	-	-	-	-	-						
						43	-	-	-	-	-						
					50	27	3.894	4.834	5.915	7.145	8.532					74	43
						32	3.650	4.544	5.570	6.739	8.058						
						38	-	4.185	5.144	6.238	7.473						
						43	-	3.876	4.779	5.808	6.973						
					75	27	5.674	7.003	8.510	10.203	12.087					75	44
						32	5.308	6.572	8.003	9.609	11.397						
						38	-	6.034	7.371	8.873	10.544						
						43	-	5.566	6.825	8.237	9.810						
					100	27	7.289	8.959	10.828	12.899	15.173					76	45
						32	6.786	8.375	10.149	12.112	14.265	8.558	4.753	1.80	3.73		
						38	-	7.634	9.291	11.123	13.130						
						43	-	6.982	8.539	10.260	12.145						

MBP

(1) E - Compressor 400V/3~/50Hz, fan 230V/1~/50Hz

(2) Nominal conditions (EN13215), Evaporating temperatures at dew point, Superheat 10K, Subcooling 0K

(3) Rated conditions (EN13215), Evaporating temperature (dew point) -10°C, Ambient air temperature +32°C, Return Gas Temperature 20°C, Subcooling 0K

SEPR, Seasonal Energy Performance Ratio

Q [kW], Cooling Capacity

P [kW], Power Input



For regular updates and detailed capacities, please refer to **Coolselector®2** software



Model	Code	Version	Compressor	Electrical code (1)	Compressor speed, rps	Tamb [°C]	Cooling capacity Q [kW] (2)					EcoDesign (3)				Sound power level dB(A)	Sound pressure level 10 m dB(A)
							Te [°C]					Q [kW]	P [kW]	COP	SEPR		
							-15 °C	-10 °C	-5 °C	0 °C	5 °C						
OP-MPPM028VVL	114X4302	P01	VLZ028TGA	E	30	27	1.435	1.797	2.227	2.732	3.320					73	42
						32	1.345	1.686	2.092	2.570	3.128						
						38	-	1.557	1.934	2.380	2.902						
						43	-	-	-	-	-						
					50	27	2.382	2.994	3.711	4.543	5.499					73	42
						32	2.243	2.829	3.515	4.310	5.224						
						38	-	2.622	3.267	4.015	4.876						
						43	-	2.442	3.050	3.757	4.571						
					75	27	3.499	4.412	5.470	6.686	8.069					74	43
						32	3.306	4.177	5.183	6.339	7.654						
						38	-	3.879	4.821	5.901	7.131						
						43	-	3.618	4.503	5.519	6.676						
100	27	4.549	5.740	7.106	8.660	10.413					75	44					
	32	4.313	5.438	6.726	8.192	9.847	5.539	2.834	1.95	3.49							
	38	-	5.067	6.261	7.621	9.158											
	43	-	4.747	5.864	7.135	8.575											
OP-MPPM035VVL	114X4316	P01	VLZ035TGA	E	30	27	1.806	2.259	2.796	3.426	4.157					72	41
						32	1.692	2.119	2.626	3.223	3.916						
						38	-	1.956	2.427	2.983	3.632						
						43	-	-	-	-	-						
					50	27	2.988	3.751	4.643	5.674	6.854					72	41
						32	2.812	3.542	4.393	5.378	6.504						
						38	-	3.279	4.079	5.003	6.061						
						43	-	3.051	3.803	4.674	5.674						
					75	27	4.374	5.503	6.805	8.291	9.973					73	42
						32	4.128	5.203	6.439	7.849	9.443						
						38	-	4.824	5.977	7.292	8.779						
						43	-	4.492	5.573	6.806	8.201						
100	27	5.666	7.124	8.782	10.652	12.744					75	44					
	32	5.367	6.741	8.302	10.064	12.035	6.876	3.494	1.97	3.63							
	38	-	6.270	7.715	9.345	11.172											
	43	-	5.864	7.212	8.734	10.442											
OP-MPPM044VVL	114X4334	P01	VLZ044TGA	E	30	27	2.303	2.877	3.556	4.350	5.268					73	42
						32	2.159	2.699	3.339	4.091	4.962						
						38	-	2.491	3.085	3.785	4.600						
						43	-	-	-	-	-						
					50	27	3.796	4.757	5.876	7.163	8.629					73	42
						32	3.569	4.487	5.553	6.779	8.175						
						38	-	4.148	5.146	6.294	7.602						
						43	-	3.852	4.790	5.870	7.101						
					75	27	5.527	6.933	8.542	10.363	12.405					74	43
						32	5.208	6.543	8.067	9.790	11.720						
						38	-	6.052	7.468	9.069	10.862						
						43	-	5.620	6.944	8.440	10.117						
100	27	7.125	8.914	10.926	13.170	15.649					74	43					
	32	6.738	8.421	10.311	12.419	14.750	8.612	4.446	1.94	3.71							
	38	-	7.813	9.557	11.502	13.656											
	43	-	7.288	8.911	10.721	12.728											

MBP

(1) E - Compressor 400V/3~/50Hz, fan 230V/1~/50Hz

(2) Nominal conditions (EN13215), Evaporating temperatures at dew point, Superheat 10K, Subcooling 0K

(3) Rated conditions (EN13215), Evaporating temperature (dew point) -10°C, Ambient air temperature +32°C, Return Gas Temperature 20°C, Subcooling 0K

SEPR, Seasonal Energy Performance Ratio

Q [kW], Cooling Capacity

P [kW], Power Input



For regular updates and detailed capacities, please refer to **Coolselector®2** software



Model	Code	Version	Compressor	Electrical code (1)	Compressor speed, rps	Tamb [°C]	Cooling capacity Q [kW] (2)					EcoDesign (3)				Sound power level dB(A)	Sound pressure level 10 m dB(A)			
							Te [°C]					Q [kW]	P [kW]	COP	SEPR					
							-15 °C	-10 °C	-5 °C	0 °C	5 °C									
OP-MPPM028VVL	114X4302	P01	VLZ028TGA	E	30	27	1.534	1.915	2.363	2.888	3.496						73	42		
						32	1.447	1.808	2.234	2.733	3.313									
						38	-	1.679	2.078	2.547	3.092									
						43	-	-	-	-	-									
					50	27	2.598	3.258	4.022	4.900	5.902								73	42
						32	2.450	3.083	3.815	4.655	5.613									
						38	-	2.862	3.555	4.349	5.254									
						43	-	2.669	3.328	4.083	4.943									
					75	27	3.826	4.792	5.901	7.163	8.590								74	43
						32	3.612	4.539	5.600	6.806	8.169									
						38	-	4.220	5.223	6.362	7.647									
						43	-	3.942	4.895	5.977	7.197									
100	27	4.950	6.174	7.573	9.158	10.939								75	44					
	32	4.689	5.857	7.191	8.703	10.400	5.905	2.979	1.98	3.58										
	38	-	5.470	6.724	8.145	9.742														
	43	-	5.141	6.327	7.671	9.182														
OP-MPPM035VVL	114X4316	P01	VLZ035TGA	E	30	27	1.931	2.408	2.969	3.623	4.380						72	41		
						32	1.820	2.272	2.805	3.428	4.149									
						38	-	2.110	2.609	3.193	3.871									
						43	-	-	-	-	-									
					50	27	3.258	4.080	5.029	6.116	7.351								72	41
						32	3.069	3.858	4.766	5.804	6.984									
						38	-	3.577	4.435	5.416	6.529									
						43	-	3.330	4.147	5.078	6.135									
					75	27	4.776	5.970	7.334	8.878	10.612								73	42
						32	4.503	5.648	6.951	8.425	10.079									
						38	-	5.242	6.472	7.860	9.417									
						43	-	4.888	6.055	7.372	8.847									
100	27	6.156	7.655	9.358	11.274	13.409								75	44					
	32	5.825	7.254	8.876	10.699	12.731	7.326	3.682	1.99	3.71										
	38	-	6.764	8.286	9.996	11.902														
	43	-	6.347	7.783	9.397	11.198														
OP-MPPM044VVL	114X4334	P01	VLZ044TGA	E	30	27	2.464	3.068	3.778	4.603	5.555						73	42		
						32	2.322	2.895	3.568	4.354	5.260									
						38	-	2.686	3.316	4.052	4.903									
						43	-	-	-	-	-									
					50	27	4.135	5.170	6.359	7.714	9.244								73	42
						32	3.891	4.882	6.019	7.311	8.771									
						38	-	4.519	5.591	6.809	8.184									
						43	-	4.200	5.218	6.374	7.677									
					75	27	6.024	7.510	9.195	11.089	13.196								74	43
						32	5.670	7.092	8.700	10.503	12.509									
						38	-	6.567	8.080	9.774	11.658									
						43	-	6.107	7.540	9.143	10.924									
100	27	7.723	9.567	11.641	13.951	16.496								74	43					
	32	7.298	9.052	11.023	13.215	15.631	9.164	4.701	1.95	3.78										
	38	-	8.421	10.265	12.315	14.574														
	43	-	7.884	9.618	11.548	13.675														

MBP

(1) E - Compressor 400V/3~/50Hz, fan 230V/1~/50Hz

(2) Nominal conditions (EN13215), Evaporating temperatures at dew point, Superheat 10K, Subcooling 0K

(3) Rated conditions (EN13215), Evaporating temperature (dew point) -10°C, Ambient air temperature +32°C, Return Gas Temperature 20°C, Subcooling 0K

SEPR, Seasonal Energy Performance Ratio

Q [kW], Cooling Capacity

P [kW], Power Input



For regular updates and detailed capacities, please refer to **Coolselector®2** software



Model	Code	Version	Compressor	Electrical code (1)	Compressor speed, rps	Tamb [°C]	Cooling capacity Q [kW] (2)					EcoDesign (3)				Sound power level dB(A)	Sound pressure level 10 m dB(A)					
							Te [°C]					Q [kW]	P [kW]	COP	SEPR							
							-15 °C	-10 °C	-5 °C	0 °C	5 °C											
OP-MPPM028VVL	114X4302	P01	VLZ028TGA	E	30	27	1.597	1.990	2.446	2.972	3.573					71	40					
						32	1.484	1.854	2.284	2.780	3.349											
						38	-	-	-	-	-											
						43	-	-	-	-	-											
					50	27	2.700	3.340	4.080	4.929	5.894					72	41					
						32	2.505	3.106	3.802	4.601	5.510											
						38	2.266	2.820	3.461	4.198	5.039											
						43	2.060	2.574	3.168	3.853	4.636											
					75	27	3.994	4.916	5.976	7.181	8.542					73	42					
						32	3.707	4.574	5.569	6.701	7.981											
						38	3.354	4.151	5.066	6.110	7.290											
						43	3.048	3.785	4.633	5.600	6.698											
					100	27	5.202	6.381	7.724	9.241	10.939					74	43					
						32	4.832	5.939	7.198	8.620	10.214	6.250	3.328	1.88	3.47							
						38	4.368	5.384	6.539	7.845	9.310											
						43	3.962	4.899	5.965	7.171	8.528											
					OP-MPPM035VVL	114X4316	P01	VLZ035TGA	E	30	27	2.027	2.517	3.085	3.739	4.485					73	42
											32	1.878	2.339	2.875	3.491	4.196						
											38	-	-	-	-	-						
											43	-	-	-	-	-						
50	27	3.402	4.193	5.108						6.153	7.338					74	43					
	32	3.158	3.899	4.755						5.735	6.846											
	38	2.854	3.533	4.317						5.215	6.236											
	43	2.590	3.215	3.937						4.766	5.711											
75	27	4.962	6.087	7.381						8.853	10.511					74	43					
	32	4.610	5.659	6.866						8.240	9.790											
	38	4.169	5.126	6.226						7.481	8.899											
	43	3.784	4.662	5.672						6.826	8.133											
100	27	6.354	7.768	9.389						11.226	13.287					75	44					
	32	5.901	7.218	8.727						10.438	12.36	7.614	4.088	1.86	3.77							
	38	5.331	6.529	7.901						9.460	11.214											
	43	4.828	5.926	7.183						8.614	10.227											
OP-MPPM044VVL	114X4334	P01	VLZ044TGA	E						30	27	2.620	3.236	3.949	4.767	5.698					73	42
											32	2.426	3.008	3.681	4.453	5.334						
											38	-	-	-	-	-						
											43	-	-	-	-	-						
					50	27	4.322	5.303	6.426	7.700	9.134					74	43					
						32	4.012	4.932	5.987	7.183	8.532											
						38	3.623	4.470	5.439	6.541	7.784											
						43	3.284	4.067	4.964	5.985	7.139											
					75	27	6.267	7.656	9.231	10.997	12.960					75	44					
						32	5.812	7.111	8.583	10.234	12.070											
						38	5.243	6.432	7.777	9.289	10.972											
						43	4.744	5.839	7.078	8.472	10.027											
					100	27	8.008	9.755	11.715	13.888	16.273					76	45					
						32	7.406	9.033	10.856	12.879	15.102	9.560	5.220	1.83	3.76							
						38	6.648	8.128	9.785	11.626	13.651											
						43	5.980	7.335	8.852	10.539	12.399											

MBP

(1) E - Compressor 400V/3~/50Hz, fan 230V/1~/50Hz

(2) Nominal conditions (EN13215), Evaporating temperatures at dew point, Superheat 10K, Subcooling 0K

(3) Rated conditions (EN13215), Evaporating temperature (dew point) -10°C, Ambient air temperature +32°C, Return Gas Temperature 20°C, Subcooling 0K

SEPR, Seasonal Energy Performance Ratio

Q [kW], Cooling Capacity

P [kW], Power Input



For regular updates and detailed capacities, please refer to **Coolselector®2** software



Optyma™ Plus INVERTER - Technical data

Application	Code number	Model number	Compressor Model	Electrical Code (1)	Refrigerant (2)	Condenser Coil			Fan		Receiver	Dimensions					Weight		
						Type	Airflow	Internal Volume	Number	Blade ø	Volume	Housing	Height	Width	Depth	Suction line	Liquid Line	Gross	Net
	P01	(m³/h)	(dm³)	(mm)	(L)	mm	mm	mm	inch	inch	Kg	Kg							
MBP	114X4302	OP-MPPM028VVLP01E	VLZ028TGA	E	P	G7	5200	1.62	1	500	6.2	H3	965	1406	481	3/4"	5/8"	150	124
MBP	114X4316	OP-MPPM035VVLP01E	VLZ035TGA	E	P	G7	5200	1.62	1	500	6.2	H3	965	1406	481	3/4"	5/8"	151	125
MBP	114X4334	OP-MPPM044VVLP01E	VLZ044TGA	E	P	G7	5200	1.62	1	500	6.2	H3	965	1406	481	3/4"	5/8"	151	125

(1) E - Compressor 400V/3~/50Hz, fan 230V/1~/50Hz

(2) P - R448A, R449A, R407A, R407F, R404A

Optyma™ Plus INVERTER - Spare parts & accessories - MBP

Designation	OP-MPLM028	OP-MPPM028	OP-MPLM035	OP-MPPM035	OP-MPLM044	OP-MPPM044
Code Number	114X4300*	114X4302	114X4315*	114X4316	114X4333*	114X4334
Compressor Description	VLZ028TGA		VLZ035TGA		VLZ044TGA	
Compressor oil	120Z5034	120Z0648	120Z5034	120Z0648	120Z5034	120Z0648
Spare Parts						
Compressor	120G0162		120G0159		120G0156	
Condenser	118U3494		118U3494		118U3494	
Oil separator	118U3981		118U3981		118U3982	
Fan assembly	118U3829		118U3829		118U3829	
Fan cowl/grill	118U3485		118U3485		118U3485	
Filter	023Z5045		023Z5045		023Z5045	
High-pressure switch	118U3718		118U3718		118U3718	
Low-pressure switch	118U3720		118U3720		118U3720	
Receiver	118U3476		118U3476		118U3476	
Sight glass	014F0174		014F0174		014F0174	
Suction line valve	009G7054		009G7054		009G7054	
Liquid line valve	009G7053		009G7053		009G7053	
Electrical Spare Parts						
Crankcase heater	120Z5040		120Z5040		120Z5040	
Controller	118U3465		118U3465		118U3465	
Discharge temperature sensor	084N2007		084N2007		084N2007	
High-pressure transmitter	118U3722		118U3722		118U3722	
Low-pressure transmitter	118U3721		118U3721		118U3721	
Suction and ambient temp sensor	084N0003		084N0003		084N0003	
Compressor contact	118U3847		118U3847		118U3847	
Door handle	118U3858		118U3858		118U3858	
Main switch	118U3852	118U3854	118U3852	118U3854	118U3852	118U3854
Compressor drive CDS803	118U3973		118U3973		118U3973	
EMI filter (Drive)	118U3972		118U3972		118U3972	
EMI filter (Controller)	118U3974		118U3974		118U3974	
Electrical Characteristics						
MCC Compressor [A] 400V/3phase	8.1		9.8		12.0	
Max cont.power consumption [kW]	3.98		4.94		6.33	
MCC Fan [A] 230V/1 phase	0.96		0.96		0.96	
Fan power output [W]	1x130		1x130		1x130	
Fan power consumption [W]	1x220		1x220		1x220	
Accessories (Not Premounted)						
Acoustic hood	120Z5043		120Z5043		120Z5043	
Sheet Metal						
Top panel	118U5131		118U5131		118U5131	
Fan Panel	118U5132		118U5132		118U5132	
Back panel	118U5133		118U5133		118U5133	
Front panel	118U5134		118U5134		118U5134	
Access panel	118U5135		118U5135		118U5135	
Left side panel	118U5165		118U5165		118U5165	

MCC - Max Continuous Current

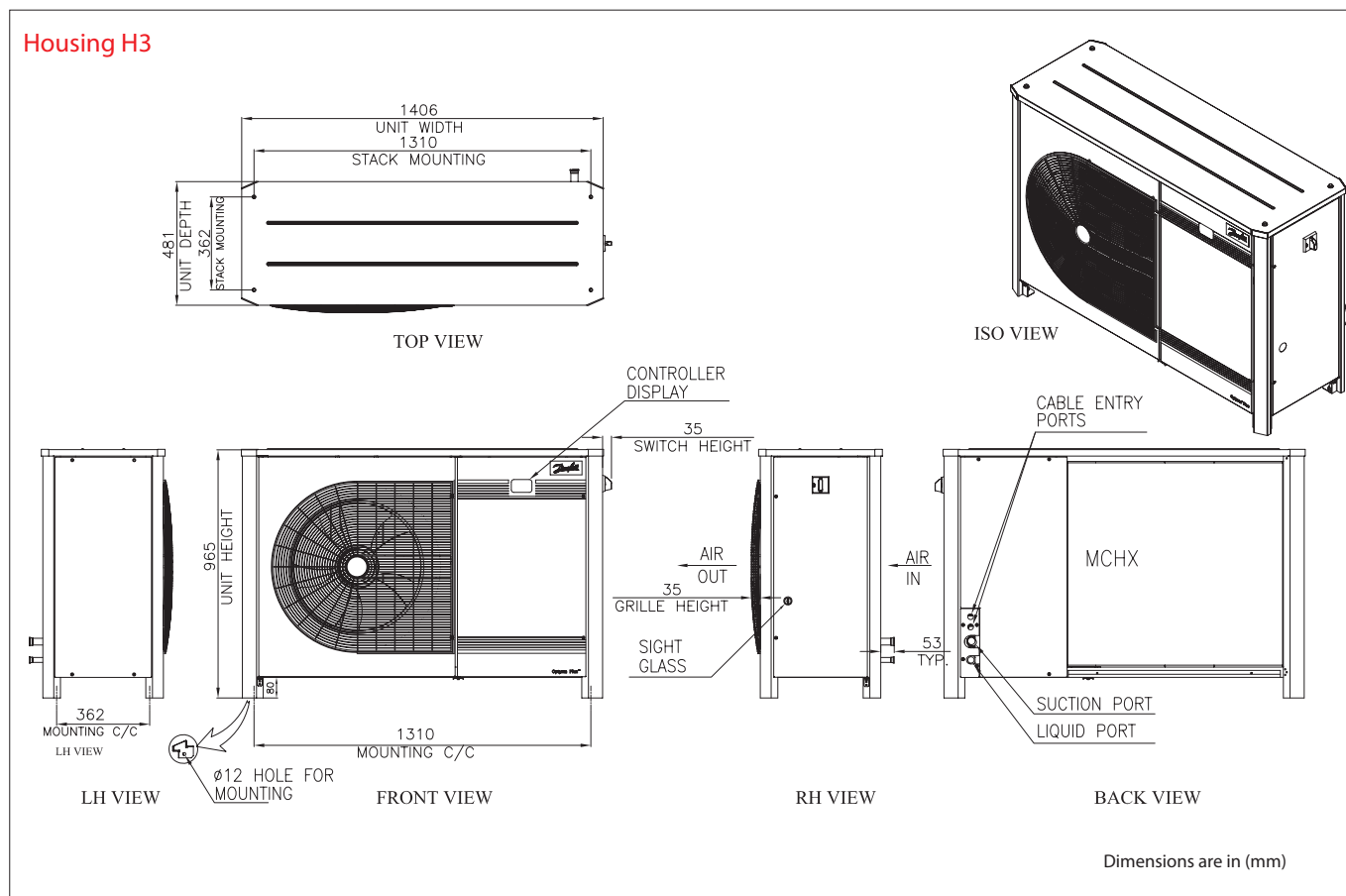
*Phased out model

NOTICE For service purpose original components (spare parts) recommended by Danfoss should be used.

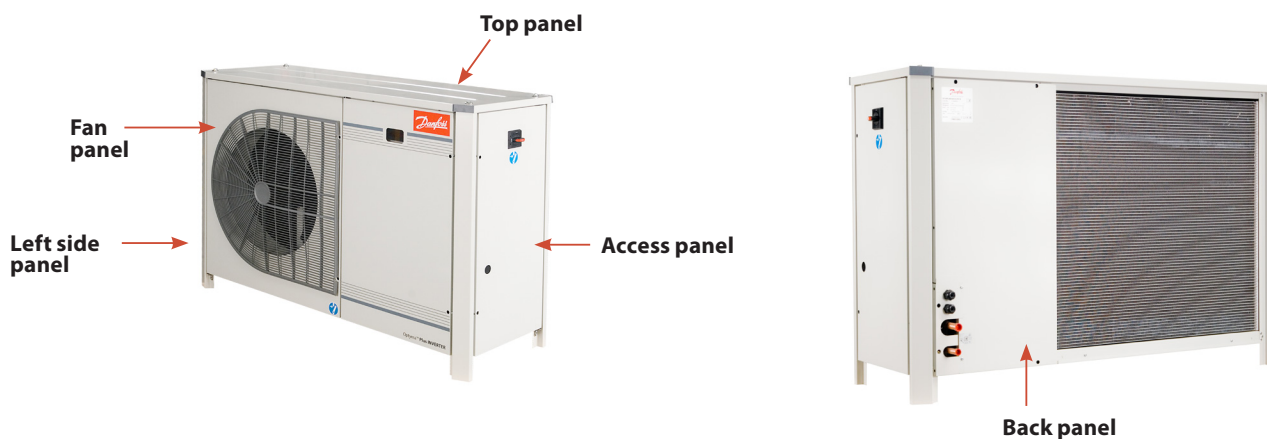
Component type	Component code	Component description	Additional informations
Compressor Single pack	120G0162	Compressor VLZ028TGNE9A/M	
Compressor Single pack	120G0159	Compressor VLZ035TGNE9A/M	
Compressor Single pack	120G0156	Compressor VLZ044TGNE9A/M	
Condenser	118U3494	CONDENSER COIL MCHX G7	
Oil Separator	118U3981	SEPARATEUR HUILE SO/ER-31 OPTYMA INVERT	
Oil separator	118U3982	SEPARATEUR HUILE SO/ER16101 OPTYMA INVER	
Fan assembly	118U3829	FAN ASSEMBLIES, EBM, ERP2015	
Fan cowl/grill	118U3485	FAN GRILL HOUSING 3 OP PLUS	
Filter	023Z5045	Filter drier DML 165 M/12	
High-pressure switch	118U3718	HIGH PR SWITCH ACB-2UB463W	
Low-pressure switch	118U3720	LOW PR SWITCH ACB-2UA418W	
Receiver	118U3476	LIQUID RECEIVER 6,2L OP PLUS	
Sight glass	014F0174	Del-SGN+ 16 Sight Glass M/36	
Suction valve	009G7054	GBC 18s Ball Valve M/25	
Liquid valve	009G7053	GBC 16s Ball Valve M/25	
Crankcase heater	120Z5040	CRANKCASE HEATER, 240V 70W	
Controller	118U3465	OPTYMA PLUS CONTROLLER-084B8080	
Discharge temperature sensor	084N2007	Sensor AKS 21 A 2.5m	
High-pressure transmitter	118U3722	AKS HP PR TRANSMITTER	
Low-pressure transmitter	118U3721	AKS LP PR TRANSMITTER	
Suction and ambient temp sensor	084N0003	Sensor AKS 11 3.5m	
Compressor contact	118U3847	CONT, ABB-A16-30-01-80+CA5-11	
Door handle	118U3858	HANDLE, ABB-OHB2AJM,MSMN,OX55X131	
Compressor drive CDS803	118U3973	Drive CDS803 7,5kW H OPTYMA INVERTER	
EMI filter (Drive)	118U3972	Filtre pour Drive EN 55011 class B (C1)	
EMI filter (Controller)	118U3974	CONTROLLER EMC/RFI FILTER OPTYMA PLUS	
Top Panel	118U5131	SPARE PART, SHEET METAL TOP H3	
Fan panel	118U5132	SPARE PART, SHEET METAL FAN H3	
Back panel	118U5133	SPARE PART, SHEET METAL BACK H3	
Front Panel	118U5134	SPARE PART, SHEET METAL FRONT H3	
Access Panel	118U5135	SPARE PART, SHEET METAL ACCESS H3	
Left Side panel	118U5165	SPARE PART, SHEET METAL LEFT SIDE H3	
Main switch	118U3852	MPCB, ABB-MS116-16+HK1-12	
Main switch	118U3854	MPCB, ABB-MS132-20+HK1-12	
Acoustic hood	120Z5043	ACCOUSTIC HOOD SMALL now use (120Z5083)	

OP-MPLM028-035-044, OP-MPPM028-035-044

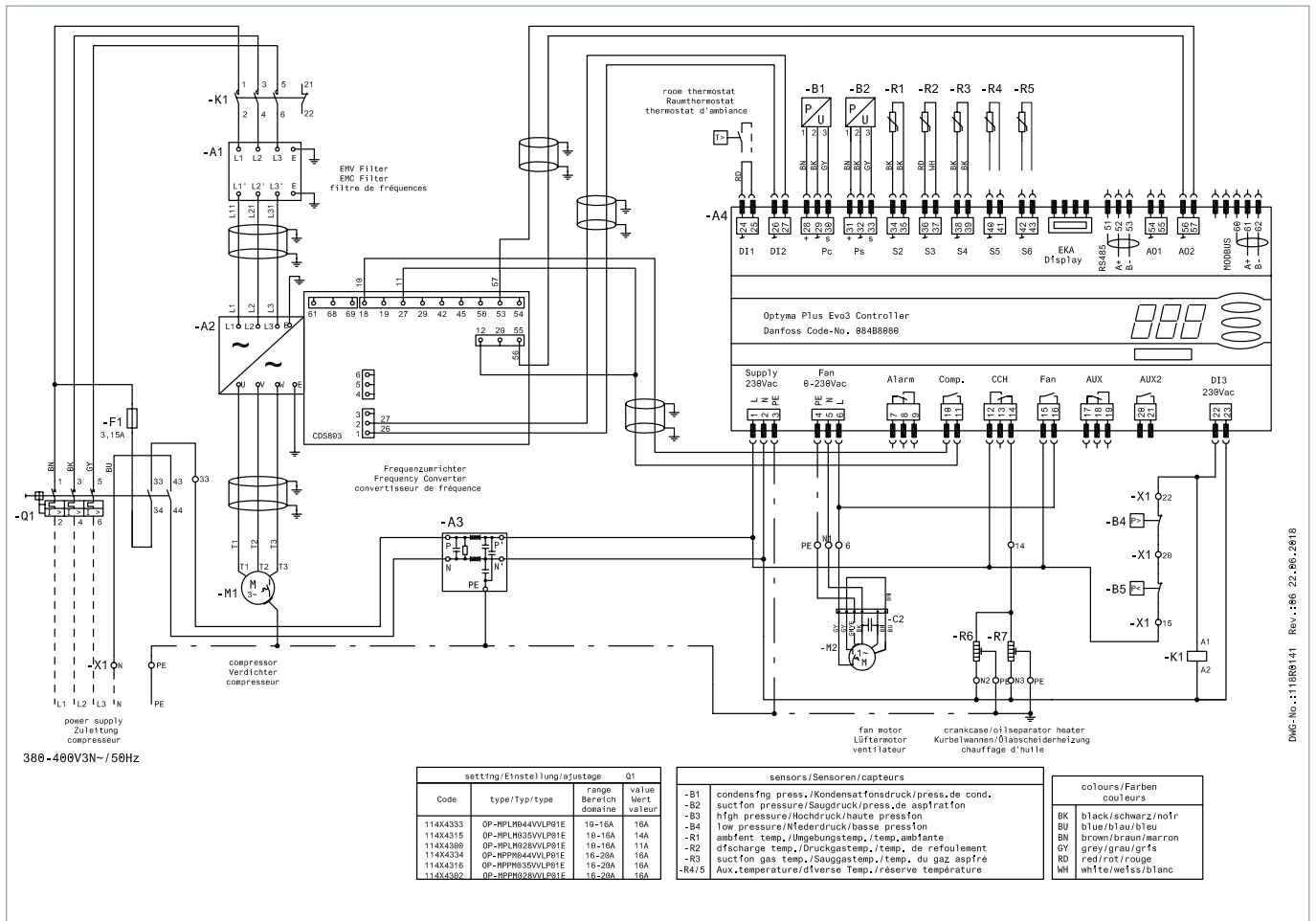
Housing H3



Optyma™ Plus INVERTER - Housing spare parts



OP-MPLM028-035-044, OP-MPPM028-035-044



DMG-No.:118R9141 Rev.:86-221.66.2819

setting/Einstellung/ajustage			Q1
Code	type/Typ/type	range Bereich domaine	value Wert valeur
114X4333	OP-MPLM044VLP01E	10-16A	16A
114X4315	OP-MPLM028VLP01E	10-16A	16A
114X4380	OP-MPLM028VLP01E	10-16A	11A
114X4334	OP-MPPM044VLP01E	16-20A	16A
114X4316	OP-MPPM028VLP01E	16-20A	16A
114X4382	OP-MPPM028VLP01E	16-20A	16A

sensors/Sensoren/capteurs	
-B1	condensfng press./Kondensationsdruck/press.de cond.
-B2	suctfon pressure/Saugdruck/press.de aspiratfon
-B3	hgh pressure/Hochdruck/haute pressfon
-B4	low pressure/Niederdruck/basse pressfon
-R1	ambfent temp./Umgebungstemp./temp.ambfante
-R2	dfcharge temp./Druckgastemp./temp. de refoulement
-R3	suctfon gas temp./Sauggastemp./temp. du gaz aspiré
-R4/5	Aux.temperature/diverse Temp./réserve temperature

colours/Farben couleurs	
BK	black/schwarz/noir
BU	blue/blau/bleu
BR	brown/braun/marron
GY	grey/grau/gris
RD	red/rot/rouge
WH	white/weiß/blanc

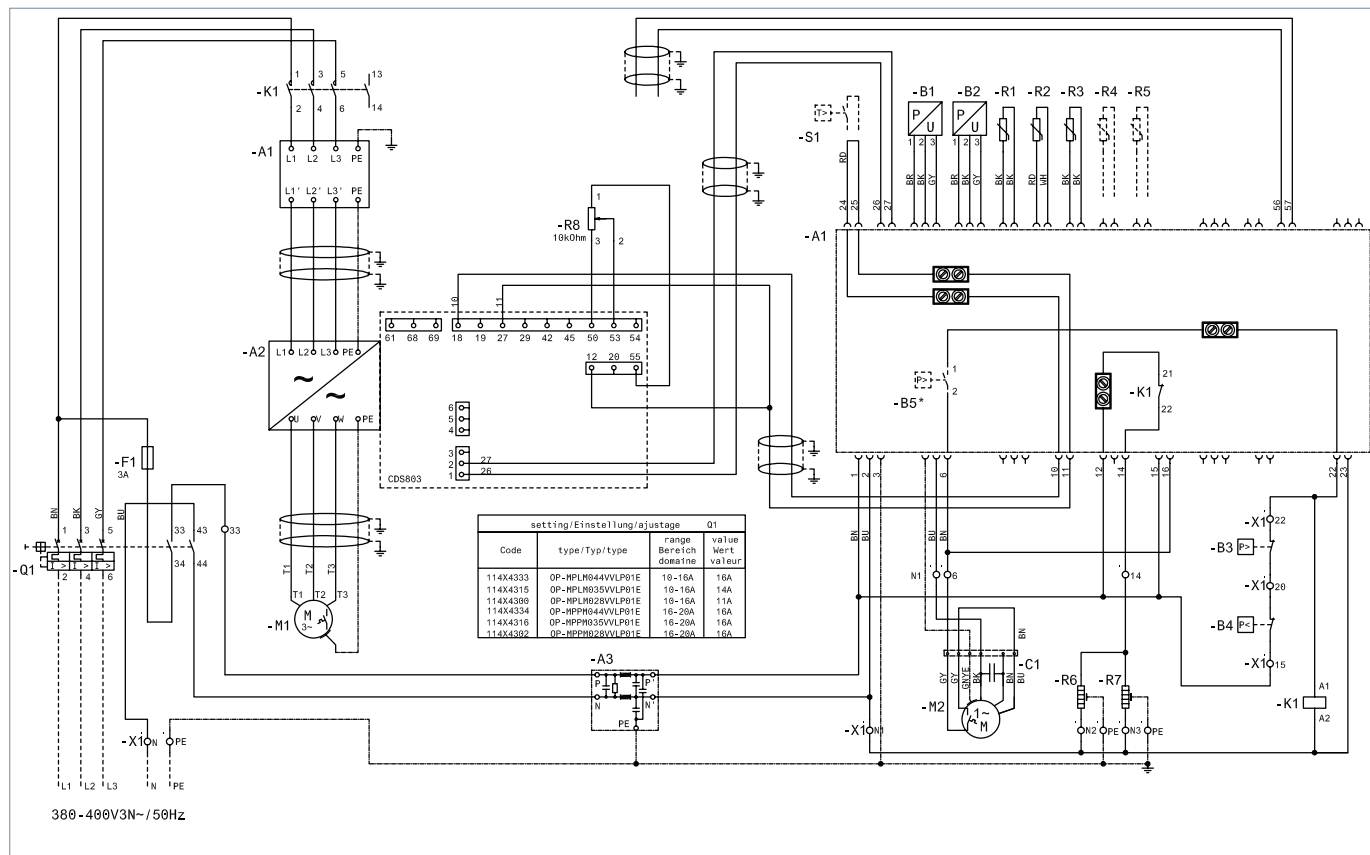
- A1 : EMC/RFI Filter (Compressor)
- A2 : Frequency Converter
- A3 : EMI Filter (Controls)
- A4 : Optyma™ Plus Controller
- B1 : Condensing Pressure Transducer
- B2 : Suction Pressure Transducer
- B3 : High Pressure Switch

- B4 : Low Pressure Switch
- C1 : Run Capacitor (Fan)
- F1 : Fuse (Control Circuit)
- K1 : Contactor
- M1 : Compressor
- M2 : Fan Motor
- Q1 : Main Switch
- R1 : Ambient Temp. Sensor

- R2 : Discharge Temp. Sensor
- R3 : Suction Temp. Sensor
- R4,R5 : Auxiliary Temp. Sensor (optional)
- R6 : Crankcase heater
- R7 : Oil Separator Heater
- S1 : Room Thermostat (optional)
- X1 : Terminal

- Supply : Supply
- Fan : Fan
- Alarm : Alarm
- Comp. : Compressor
- CCH : Crankcase Heater
- Aux : Auxiliary

OP-MPLM028-035-044, OP-MPPM028-035-044 - Emergency Wiring



- A1 : EMC/RFI Filter (Compressor)
- A2 : Frequency Converter
- A3 : EMI Filter (Controls)
- A4 : Optyma™ Plus Controller
- B1 : Condensing Pressure Transducer
- B2 : Suction Pressure Transducer
- B3 : High Pressure Switch
- B4 : Low Pressure Switch

- B5* : Fan Speed Controller / Pressure Switch
- C1 : Run Capacitor (Fan)
- F1 : Fuse (Control Circuit)
- K1 : Contactor
- M1 : Compressor
- M2 : Fan Motor
- Q1 : Main Switch
- R1 : Ambient Temp. Sensor

- R2 : Discharge Temp. Sensor
- R3 : Suction Temp. Sensor
- R4,R5 : Auxiliary Temp. Sensor (optional)
- R6 : Crankcase heater
- R7 : Oil Separator Heater
- R8 : Compressor Speed Potentiometer
- S1 : Room Thermostat (optional)
- X1 : Terminal

- Supply : Supply
- Fan : Fan
- Alarm : Alarm
- Comp. : Compressor
- CCH : Crankcase Heater
- Aux : Auxiliary

Danfoss Cooling

is a worldwide manufacturer of compressors and condensing units for refrigeration and HVAC applications. With a wide range of high quality and innovative products we help your company to find the best possible energy efficient solution that respects the environment and reduces total life cycle costs.

We have 40 years of experience within the development of hermetic compressors which has brought us amongst the global leaders in our business, and positioned us as distinct variable speed technology specialists. Today we operate from engineering and manufacturing facilities spanning across three continents.



Our products can be found in a variety of applications such as rooftops, chillers, residential air conditioners, heatpumps, coldrooms, supermarkets, milk tank cooling and industrial cooling processes.

www.danfoss.com

Danfoss, BP 331, 01603 Trévoux Cedex, France | +334 74 00 28 29

member of:



Danfoss can accept no responsibility for possible errors in catalogues, brochures and other printed material. Danfoss reserves the right to alter its products without notice. This also applies to products already on order provided that such alterations can be made without consequential changes being necessary in specifications already agreed. All trademarks in this material are property of the respective companies. Danfoss and the Danfoss logotype are trademarks of Danfoss A/S. All rights reserved.